

Ceramic Tower Heater with 3D Fireplace Display

Models: CA20175,
CA20150

Better Air Starts Here.

Trusted and reliable, Lasko is the #1 Heater Brand and the #1 Fan brand in the USA.



Lasko Products is committed to product integrity, providing innovation, value and quality with a brand consumers can trust. Lasko values its intellectual property and respects the intellectual property of others.



READ ALL INSTRUCTIONS BEFORE USING THIS HEATER.

WARNING:

IMPORTANT SAFETY INSTRUCTIONS

When using electrical appliances, these instructions and warnings should always be followed to reduce the risk of fire, electrical shock and injury to persons and hyperthermia:

USE THIS HEATER ONLY AS DESCRIBED IN THIS MANUAL. ANY OTHER USE NOT RECOMMENDED BY THE MANUFACTURER MAY CAUSE FIRE, ELECTRIC SHOCK, OR INJURY TO PERSONS:



Plug heaters directly into a 120v wall outlet/receptacle only. Never use with an extension cord. Do not plug heater into any other cord connected device, such as a power strip, surge protector, multiple outlet adapter, cord reel or outlet-type air freshener. The use of such devices may create a fire hazard. Do not plug multiple devices in the same outlet or on same circuit as heater.



Faulty wall outlet connections may cause the wall outlet to overheat. Be sure that heater plug fits tightly into outlet before each use. During use, check to make certain the heater plug is not overheating. If necessary have a qualified electrician check and/or replace the wall outlet. Do not use this heater with any solid state speed control devices.



Make certain that the power source conforms to the electrical requirements of the heater.



Extreme caution is necessary when any heater is used by or near children or invalids. The heater should not be left operating unattended. Never leave children unattended when the heater is on or plugged in.



This appliance has a polarized plug (one blade is wider than the other). To reduce the risk of electric shock, this plug is intended to fit in a polarized outlet only one way. If the plug does not fit fully in the outlet, reverse the plug. If it still does not fit, contact a qualified electrician. Do not attempt to defeat this safety feature.



Do not use the heater in areas where gasoline, paint, or flammable liquids are used or stored. Do not use heater in locations where flammable or explosive chemicals are stored, or in wet atmospheres.



Do not operate any heater with a damaged cord or plug or after the heater malfunctions, or has been dropped or damaged in any manner. To disconnect heater, turn the heater off then remove the plug from the outlet and discard.

Always unplug heater when not in use. Unplug power cord before servicing or moving the heater.



Do not insert or allow fingers or foreign objects to enter any ventilation or exhaust opening as it may cause an electric shock, fire, or damage the heater. Do not block or tamper with the heater in any manner while it is in operation.



Do not block air intakes or exhaust in any manner. Do not place on soft surfaces, like a bed, where openings may become blocked. Do not depend on the on/off switch as the sole means of disconnecting power when servicing or moving the heater. Always unplug the power cord.



Hyperthermia can result in death. Symptoms of hyperthermia include high body temperature, headache, nausea, vomiting, tiredness, dizziness, fainting, and rapid pulse. If you begin to experience symptoms related to hyperthermia, turn off the heater and seek medical attention.



To avoid excessive room temperatures which can cause hyperthermia: DO NOT leave product running unattended in a confined space around infants, or individuals with reduced physical, sensory, or mental capabilities.



CAUTION:

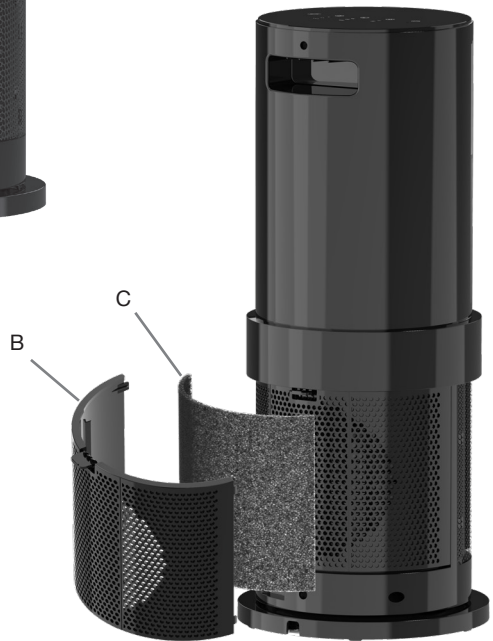
- Always unplug heater when not in use. Unplug power cord before servicing or moving the heater.
- Do not insert or allow fingers or foreign objects to enter any ventilation or exhaust opening as it may cause an electric shock, fire, or damage the heater. Do not block or tamper with the heater in any manner while it is in operation.
- Do not block air intakes or exhaust in any manner. Do not place on soft surfaces, like a bed, where openings may become blocked. Do not depend on the on/off switch as the sole means of disconnecting power when servicing or moving the heater. Always unplug the power cord.
- Always place the heater on a stable, flat, level surface when operating, to avoid the chance of the heater overturning. Locate the power cord so the heater or other objects are not resting on it. Do not run power cord under carpeting. Do not cover power cord with throw rugs, runners, or similar coverings as this may cause cord to overheat. Arrange power cord away from room traffic and where it will not be tripped over.
- This heater is hot when in use. To avoid burns, do not let bare skin touch hot surfaces. Always use handle when moving this heater. Keep combustible materials, such as furniture, pillows, bedding, papers, clothes and curtains at least 3 feet (0.9 M) from the front of the heater and keep them at least 1 foot (0.3 M) from the sides and rear.
- This heater is not intended for use in wet or damp locations. This heater is not intended for use in bathrooms, laundry areas and similar indoor locations. Never locate a heater where it may fall into a bathtub or other water container.
- Do not use heater outdoors.
- This heater is not suitable for use in agricultural facilities including areas where livestock, poultry or other animals are confined. Please refer to national electric code (nec) article 547-7 (2008), or applicable state or local codes or standards relating to electrical requirements for agricultural buildings. This heater does not meet the requirements of nec article 547-7 (2008).
- This heater is not suitable for use in hazardous locations. Please refer to national electric code (nec) article 500 or applicable state or local codes or standards relating to electrical requirements for hazardous locations. This heater does not meet the requirements of nec article 500 (2008).

READ AND SAVE THESE INSTRUCTIONS

Getting to Know your Heater

Parts Included

- A. Body
- B. Filter Door
- C. Easy-Clean Filter



Controls



Power Button - Turn Heater ON/OFF by pressing the Power Button.

Note:

- When the heater is plugged into the electrical outlet, the power indicator will light in red.
- When powering off, the fan will continue to run for 20 seconds to blow out the remaining heat.



Heat Mode Button - Press to cycle between high and low heat.



Timer Button -The timer can be set for 1, 2, or 4 hours. If the timer is not set, the heater will automatically turn off after 8 hours of operation.



Fireplace Display- The fireplace brightness can be set to high, medium, low, or off.



Base Oscillation Button - Press to Start/Stop the base oscillation function.

Digital Display (Model CA20175 Only)

72°

ROOM TEMPERATURE DISPLAY

Digital display shows room temperature in all heat modes.

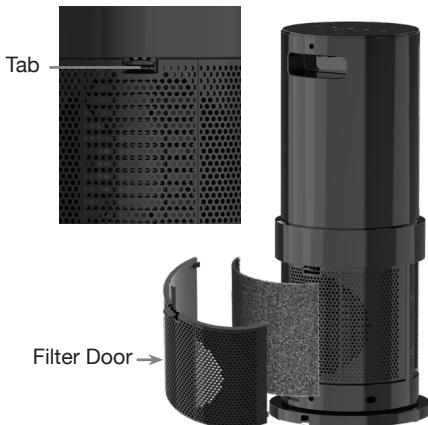
AUTO-DIMMING DIGITAL DISPLAY

After 10 seconds the lights on the display will automatically dim. Touching any button will reilluminate the lights to 100%.



Easy-Clean Reusable Filter

1. Press the tab down to release the filter door, then remove it from the back of the heater.
2. Vacuum the intake grilles every two weeks to keep your heater running its best. After cleaning, place the reusable filter back onto the filter door.
3. To put the filter door back on, just line up the four tabs with the slots on the back of the heater, then push it back into place.



Cleaning and Maintenance



CAUTION

1. To Clean the Heater: Power off the unit before unplugging it. Unplug the heater. Ensure the heater is disconnected from the power source.
2. Avoid water exposure: Never immerse or place the heater near water.
3. Remove lint and dust: Use a vacuum with a brush attachment to clean the inside of the heater.
4. Use mild cleaners only: Never use alcohol, solvents such as gasoline, benzene, paint thinner, or any harsh cleaners.



To reduce the risk of fire, electrical shock or personal injury, turn off and unplug the appliance before any cleaning and maintenance

MAINTENANCE

1. Always power off and unplug the cord before moving, servicing or cleaning.
2. Never place the heater in or near water.
3. Clean the heater only with a vacuum equipped with a brush attachment; the vacuum will remove the lint and dirt from inside the heater.
4. Vacuum intake grills every two weeks; this will help to maintain the optimum heater performance.
5. Never attempt to take apart the heater.
6. Clean the body of the heater with a soft cloth only.
7. Never use alcohol or solvents such as gasoline, benzene, paint thinner, or other harsh cleaners.

TROUBLE SHOOTING TIPS

If your heater fails to operate, see below for a list of probable causes and solutions:

- Be sure the power cord is plugged into a working electrical outlet.
- Check your Temperature setting. The heater may be off because it has reached the desired temperature setting.
- If your heater runs for several minutes and shuts off repeatedly, your heater may require cleaning. See maintenance section above.

STORAGE: Store the heater and these instructions in the original box, in a cool, dry location.

LUBRICATION: Motor is permanently lubricated. No maintenance is required.

DISPOSITION: Corrugated packaging materials are recyclable. For environmentally responsible disposal of this product, contact your local waste service provider or visit www.1800recycling.com.

SAFETY FEATURE

If your heater fails to operate, see below for a list of probable causes and solutions:

- A Tip-Over switch is built in to prevent operation if the heater is tipped over.
- A thermal overload protector is built in to prevent overheating.
- If an overheat temperature is reached, the heater will automatically shut off. It can only resume operation when the user resets the unit.

To Reset Heater:

- Unplug the heater and wait 10 minutes for the heater to cool down.
- After the heater has cooled down, plug the unit into a 120V~ electrical outlet and follow the operation instructions described in this manual.

LASKO PRODUCTS, LLC LIMITED WARRANTY (VALID IN U.S. AND CANADA ONLY)

What this warranty covers: This product is warranted against defects in workmanship and/or materials.

How long this warranty lasts: This warranty extends only to the original purchaser of the product and lasts for three (3) years from the date of original purchase or until the original purchaser of the product sells or transfers the product, whichever first occurs.

What Lasko will do: During the warranty period, Lasko will, at its sole option, repair or replace any part or parts that prove to be defective or replace the whole product with the same or comparable model. For all warranty claims, the product must be returned to Lasko Products, LLC at customer's expense with proof of purchase within the warranty period. Contact the Lasko customer service department to obtain a Return Authorization ("RA") Do not return products without an RA or the warranty claim will not be processed.

What this warranty does not cover: This warranty does not apply if the product was damaged or failed because of accident, improper handling or operation, shipping damage, abuse, misuse, or unauthorized repairs made or attempted. This warranty does not cover shipping costs for the return of products to Lasko for repair or replacement. Lasko will pay return shipping charges from Lasko following warranty repairs or replacement.

Any and all warranties, expressed or implied (including, without limitation, any implied warranty of merchantability), last three years from the date of original purchase or until the original purchaser of the product sells or transfers the product, whichever first occurs and in no event shall lasko's liability under any express or implied warranty include (i) incidental or consequential damages from any cause whatsoever, or (ii) replacement or repair of any house fuses, circuit breakers or receptacles. Notwithstanding anything to the contrary, in no event shall lasko's liability under any express or implied warranty exceed the purchase price of the product and any such liability shall terminate upon the expiration of the warranty period.

Some states and provinces do not allow limitations on how long an implied warranty lasts, or the exclusion or limitation of incidental or consequential damages, so these exclusions or limitations may not apply to you. This warranty gives you specific legal rights. You may also have other rights which vary from state to state and province to province.

Proof of purchase is required before a warranty claim will be accepted.



Register Your Product Today

You will benefit from:

- Efficient and enhanced support
- Future product updates

CUSTOMER SERVICE:

Email: producthelp@lasko.com

Web: www.lasko.com

Our Customer Service team is available to assist you with product service questions and replacement parts.

Chat with us at www.lasko.com Monday-Friday 8am - 9pm EST
(Valid in U.S. and Canada only).

Please have your model number available, as well as the type and style located on the underside of your product.

Customer Service Dept.,
820 Lincoln Ave., West Chester, PA 19380
(Please do not send product to this location)



Check out our product line of heaters

www.lasko.com

Calefactor de torre cerámico con pantalla 3D de chimenea

Modelos: CA20175,
CA20150

Un Mejor Aire Comienza Aquí.

Lasko, una empresa confiable y segura, es la marca número 1 de los Estados Unidos en calefactores y ventiladores.



Lasko Products tiene un compromiso con la integridad de sus productos y brinda innovación, valor y calidad con una marca en la que los consumidores pueden confiar. Lasko valora su propiedad intelectual y respeta la propiedad intelectual de otros.



LEA TODAS LAS INSTRUCCIONES ANTES DE USAR ESTE CALEFACTOR.

ADVERTENCIA

INSTRUCCIONES DE SEGURIDAD IMPORTANTES

Cuando se utilicen aparatos eléctricos, estas instrucciones y advertencias siempre deben ser seguidas para reducir el riesgo de incendio, descarga eléctrica, lesiones a las personas e hipertermia:

UTILICE ESTE CALENTADOR SOLO COMO SE DESCRIBE EN ESTE MANUAL. CUALQUIER OTRO USO NO RECOMENDADO POR EL FABRICANTE PUEDE PROVOCAR INCENDIOS, DESCARGAS ELÉCTRICAS O LESIONES A PERSONAS:



Conecte los calefactores solo directamente en tomas eléctricas de pared de 120 V. Nunca use un cable de extensión. No conecte el calefactor en ningún otro cable. Conecte los calefactores solo directamente en tomas eléctricas de pared de 120 V. Nunca use un cable de extensión. No conecte el calefactor en ningún otro dispositivo conectado por cable, como un tomacorriente múltiple, protector de sobretensión, adaptadores de tomacorrientes múltiples, carretes de cable o ambientadores de enchufe. Dichos dispositivos pueden provocar un riesgo de incendio. No enchufe dispositivos múltiples en la misma toma eléctrica o en el mismo circuito del calefactor.



Las conexiones de pared defectuosas pueden provocar que la toma eléctrica de la pared se recaliente. Verifique que el calefactor se conecte firmemente en la toma antes de cada uso. Durante el uso, verifique que el enchufe del calefactor no esté recalentando. Si es necesario, haga que un electricista certificado verifique o cambie la toma eléctrica de la pared. No use este calefactor con controles de velocidad de estado sólido.



Verifique que la fuente de alimentación cumpla con los requisitos eléctricos del calefactor.



Es necesario tener cuidado extremo cuando cualquier calefactor se usa cerca de niños o personas con discapacidad. No se debe dejar el calefactor encendido y sin control alguno. Nunca deje a los niños desatendidos cuando el calefactor esté encendido o conectado.



Este dispositivo tiene un enchufe polarizado (una hoja es más ancha que la otra). Para reducir el riesgo de choque eléctrico, el conector solo encaja de una manera en un tomacorriente polarizado. Si el conector no encaja en la toma, insértelo al revés. Si sigue sin encajar, llame a un electricista certificado. No intente pasar por alto esta característica de seguridad.



No utilice el calefactor en zonas en las que se usa o almacena combustible, pintura o líquidos inflamables. No utilice el calefactor en ubicaciones en donde se almacenan químicos inflamables o explosivos, o en atmósferas húmedas.



No utilice calefactores con cables o enchufes dañados, o después de un error de funcionamiento o de que se hayan caído o dañado. Para desconectar el calefactor, apáguelo y luego retire el enchufe de la toma.

Siempre desconecte el calefactor cuando no esté utilizándolo. Desconecte el cable de alimentación antes del mantenimiento o del traslado del calefactor.



No coloque ni permita que se metan dedos u objetos extraños en aberturas de ventilación o escape puesto que esto podría generar un choque eléctrico, incendio o daño al calefactor. No bloquee o manipule el calefactor de ninguna manera mientras esté en funcionamiento.



No bloquee las tomas y escapes de aire de ninguna manera. No coloque el calefactor en superficies suaves, como una cama, en las que podrían bloquearse las aberturas. No dependa de la perilla de encendido y apagado como único medio de desconexión de energía al hacer el mantenimiento o trasladar el calefactor. Siempre desenchufe el cable de alimentación.



La hipertermia puede provocar la muerte. Los síntomas de hipertermia incluyen temperatura corporal alta, dolores de cabeza, náuseas, vómitos, cansancio, mareos, desmayos y pulso acelerado. Si comienza a tener síntomas relacionados con la hipertermia, apague el calefactor y busque atención médica.



Siga estas medidas de precaución para evitar tener temperaturas excesivamente altas que puedan provocar hipertermia en las habitaciones: NO deje el equipo funcionando sin control alguno en un espacio cerrado cerca de infantes o personas como capacidades físicas, sensoriales o mentales reducidas.



PRECAUCIÓN

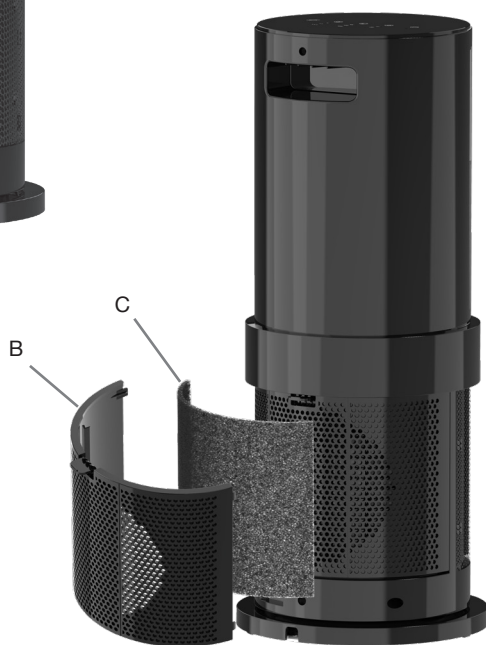
- Siempre desconecte el calefactor cuando no esté utilizándolo. Desconecte el cable de alimentación antes del mantenimiento o del traslado del calefactor.
- No coloque ni permita que se metan dedos u objetos extraños en aberturas de ventilación o escape puesto que esto podría generar un choque eléctrico, incendio o daño al calefactor. No bloquee o manipule el calefactor de ninguna manera mientras esté en funcionamiento.
- No bloquee las tomas y escapes de aire de ninguna manera. No coloque el calefactor en superficies suaves, como una cama, en las que podrían bloquearse las aberturas. No dependa de la perilla de encendido y apagado como único medio de desconexión de energía al hacer el mantenimiento o trasladar el calefactor. Siempre desenchufe el cable de alimentación.
- Al utilizarlo, siempre coloque el calefactor en una superficie estable y plana para evitar que se vuelque. Coloque el cable de alimentación de tal manera que el calefactor y otros objetos no estén apoyados encima. No pase el cable de alimentación debajo de las alfombras. No cubra el cable de alimentación con tapetes, alfombras de pasillo o elementos similares puesto que esto podría hacer que recalienten. Mantenga el cable de alimentación fuera del paso y evite que esté en lugares donde las personas puedan tropezarse.
- Siempre que esté en uso, el calefactor estará caliente. Para evitar quemarse, no toque las superficies calientes con la piel. Use siempre la manija para moverlo. No coloque materiales combustibles, como muebles, almohadas, sábanas, papeles, ropa y cortinas a una distancia inferior a 3 ft (0,9 m) del frente del calefactor o a una distancia inferior a 1 ft (0,3 m) de los costados y los laterales del calefactor.
- Este calefactor no está fabricado para usar en ubicaciones con agua o húmedas. Este calefactor no está fabricado para usar en baños, lavaderos y ubicaciones de interior similares. Nunca coloque el calefactor de forma tal que pueda caerse en una bañera o en otros contenedores de agua.
- No use el calefactor en exteriores.
- Este calefactor no es adecuado para su uso en instalaciones agrícolas, incluidas las zonas donde se encuentran confinados el ganado, las aves de corral u otros animales. Consulte el Código Eléctrico Nacional (National Electric Code, NEC) Artículo 547-7 (2008), o los códigos o normas estatales o locales aplicables en relación con los requisitos eléctricos para los edificios agrícolas. Este calefactor no cumple con los requisitos del Artículo 547-7 (2008) del NEC.
- Este calefactor no es apto para uso en zonas peligrosas. Consulte el artículo 500 del Código Eléctrico Nacional (NEC) o las normativas o estándares estatales o locales en relación con los requisitos eléctricos para ubicaciones peligrosas. Este calefactor no cumple con los requisitos del Artículo 500 (2008) del NEC.

CONSERVE ESTAS INSTRUCCIONES

Conozca el calefactor

Partes Incluidas

- A. Cuerpo
- B. Tapa del filtro
- C. Filtro de limpieza fácil



Controles



Botón de Encendido - ENCENDIDO/APAGADO el Calefactor presionando el Botón de Encendido.

Nota:

- Cuando el calefactor está enchufado en la toma eléctrica, el indicador de alimentación se iluminará de color rojo.
- Al apagar, el ventilador seguirá moviéndose durante 20 segundos para expulsar el calor restante.



Botón de Modo de Calor - Presione para alternar entre Calor Alto y Bajo



Botón de temporizador - El temporizador se puede configurar en 1, 2 o 4 horas. Si el temporizador no está configurado, el calefactor se apagará automáticamente luego de estar 8 horas encendido.



Pantalla de chimenea - El brillo de la chimenea se puede configurar en alto, medio, bajo o apagado.



Botón de Oscilación de Base - Presione para Iniciar/Detener la función de oscilación de la base.

Pantalla digital (solo en el modelo CA20175)

72° PANTALLA DE TEMPERATURA AMBIENTE

La pantalla digital muestra la temperatura ambiente en todos los modos de calefacción.

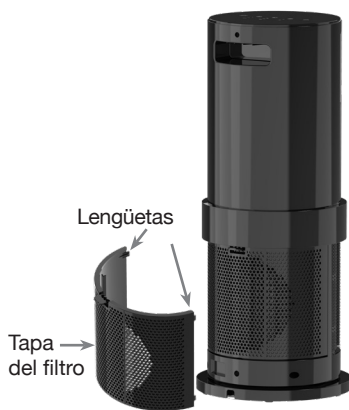
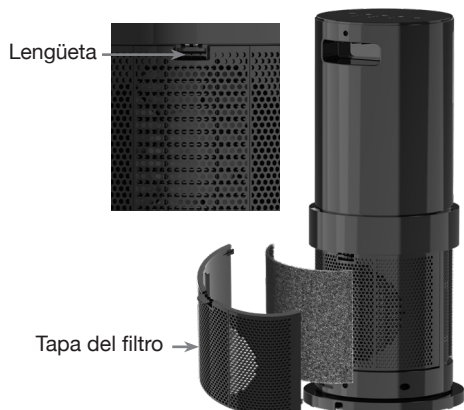
PANTALLA DIGITAL CON ATENUACIÓN AUTOMÁTICA

Después de 10 segundos, las luces de la pantalla se atenuarán automáticamente. Tocar cualquier botón volverá a iluminar las luces al 100%.



Filtro de limpieza fácil y reutilizable

1. Presione la lengüeta hacia abajo para abrir la tapa del filtro, luego extráigalo de la parte posterior del calefactor.
2. Vacíe las rejillas de entrada y el filtro cada dos semanas para que el calefactor funcione siempre muy bien. Luego de la limpieza, vuelva a colocar el filtro reutilizable en su espacio correspondiente.
3. Para volver a colocar la tapa, alinee las cuatro lengüetas con las ranuras en la parte posterior del calefactor y luego presione para que encajen.





PRECAUCIÓN

1. Limpieza del calefactor: Apague la unidad antes de desenchufarla. Desenchufe el calefactor. Verifique que el calefactor esté desconectado de la fuente de alimentación.
2. Evite la exposición al agua: Nunca sumerja ni coloque el calefactor cerca del agua.
3. Elimine la pelusa y el polvo: Utilice una aspiradora con un cepillo para limpiar el interior del calefactor.
4. Usar únicamente limpiadores suaves: Nunca use alcohol, solventes como gasolina, benceno, diluyente de pintura u otros limpiadores abrasivos.



Para reducir el riesgo de incendio, choque eléctrico o lesiones personales, apague y desenchufe el dispositivo antes de limpiar y realizar tareas de mantenimiento

MANTENIMIENTO

1. Siempre apague el equipo y desenchufe el cable antes de mover, reparar o limpiar el equipo.
2. Nunca coloque el calefactor dentro del agua o cerca del agua.
3. Limpie el calefactor solo con una aspiradora con cepillo; la aspiradora removerá la pelusa y suciedad del interior del calefactor.
4. Limpie con aspiradora las rejillas de toma cada dos semanas para lograr que el calefactor esté siempre en su máximo rendimiento.
5. Nunca intente desarmar el calefactor.
6. Limpie la estructura del calefactor solo con paños suaves.
7. Nunca use alcohol o solventes como gasolina, benceno, diluyente de pintura u otros limpiadores abrasivos.

CONSEJOS PARA LA SOLUCIÓN DE PROBLEMAS

Si el calefactor no funciona, consulte a continuación una lista de posibles causas y sus soluciones:

- Verifique que el cable de alimentación esté conectado a una toma eléctrica.
- Verifique la temperatura configurada. El calefactor podría estar apagado porque llegó a la configuración de temperatura deseada.
- Si el calefactor funciona durante varios minutos y se apaga varias veces, es posible que necesite una limpieza. Consulte el apartado de mantenimiento.

ALMACENAMIENTO: Guarde el calefactor, junto con estas instrucciones, en su caja original y en un lugar fresco y seco.

LUBRICACIÓN: El motor está permanentemente lubricado. No se requiere mantenimiento.

DISPOSICIÓN: Los materiales de embalaje corrugados son reciclables. Para una eliminación ambientalmente responsable de este producto, póngase en contacto con el proveedor de servicios de gestión de desechos de su localidad o visite www.1800recycling.com[®]

CARACTERÍSTICA DE SEGURIDAD

Si el calefactor no funciona, consulte a continuación una lista de posibles causas y sus soluciones:

- Un Interruptor de Seguridad Basculante está incorporado para evitar el funcionamiento si el Calefactor se cae.
- El calefactor viene con un protector de sobrecarga térmica para evitar un recalentamiento.
- Si se alcanza la temperatura de recalentamiento, el calefactor se apagará automáticamente. Solo volverá a funcionar cuando el usuario restablezca la unidad

Cómo restablecer el calefactor:

- Desenchufe el calefactor y espere 10 minutos para que se enfríe.
- Luego de que el calefactor se haya enfriado, conecte la unidad a una toma eléctrica de 120 V y siga las instrucciones de operación de este manual.

LASKO PRODUCTS, LLC. GARANTÍA LIMITADA (VÁLIDA SOLO EN LOS ESTADOS UNIDOS Y CANADÁ)

Alcance de la garantía: Este producto tiene garantía por defectos de fabricación o de materiales.

Duración de la garantía: Esta garantía se aplica solo al comprador original del producto y tiene una duración de tres (3) años desde la fecha de compra original o hasta que el comprador original venda o transfiera el producto, lo que ocurra primero.

Accionar de Lasko: Durante el período de garantía, Lasko reparará o sustituirá, a su entera discreción, cualquier pieza que resulte defectuosa o sustituirá todo el producto por un modelo igual o de características similares. Para todos los reclamos de garantía, el producto debe ser devuelto a Lasko Products, LLC, con los gastos pagados por el cliente, junto con la prueba de compra y dentro del período de la garantía. Contáctese con el departamento de atención al cliente de Lasko para obtener una autorización de devolución. No devuelva productos sin dicha autorización puesto que no se procesará la garantía si así lo hiciera.

Exenciones de la garantía: Esta garantía no aplica si el producto sufrió daños o fallas a causa de un accidente, manipulación o uso inadecuados, daños de transporte, abuso, mal manejo, reparaciones no autorizadas que se hicieran o se intentaran hacer. Esta garantía no cubre los gastos de envío de devolución de los productos a Lasko para su reparación o sustitución. Lasko pagará los gastos de envío desde sus instalaciones, luego de haber reparado o sustituido el producto.

Todas y cada una de las garantías, expresas o implícitas (incluyendo, sin limitación, cualquier garantía implícita de comercialización), tienen una duración de tres años desde la fecha de compra original o hasta que el comprador original venda o transfiera el producto, lo que ocurra primero. En ningún caso, Lasko será responsable bajo ninguna garantía expresa o implícita de (i) daños incidentales o consecuentes por cualquier causa o (ii) la sustitución o reparación de cualquier fusible, disyuntor o receptor de la casa. Sin perjuicio de cualquier disposición contraria, la responsabilidad de Lasko, bajo ninguna garantía expresa o implícita, excederá el precio de compra del producto. Cualquier responsabilidad terminará al vencer el período de garantía.

Algunos estados y condados no permiten limitar la duración de una garantía implícita, ni excluir o limitar los daños incidentales o consecuentes, por lo que estas exclusiones o limitaciones no serían válidas. Esta garantía le otorga a usted derechos legales específicos. También puede tener otros derechos que varían de un estado o condado a otro.

Se requiere un comprobante de compra antes de que se acepte un reclamo de garantía.



Registre su producto hoy

Podrás disfrutar de los siguientes beneficios:

- Soporte eficiente y avanzado
 - Actualizaciones acerca del producto en el futuro
- Escanee con un teléfono inteligente

SERVICIO AL CLIENTE:

Email: producthelp@lasko.com

Sitio: www.lasko.com

Nuestro equipo de atención al cliente está disponible para brindarle ayuda con el producto y responder preguntas de mantenimiento y repuestos. Chatea con nosotros en www.lasko.com de lunes a viernes de 8am a 9pm EST (Válida solo en EE. UU. Y Canadá).

Tenga el número de modelo a mano, así como el tipo y estilo de dispositivo. Encontrará esta información en la parte inferior del producto.

Departamento de Atención al Cliente,
820 Lincoln Ave., West Chester, PA 19380
(No envíe productos a esta dirección).



Verifique la línea de productos de los calefactores en www.lasko.com
www.lasko.com