





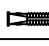



# ASSEMBLY INSTRUCTION

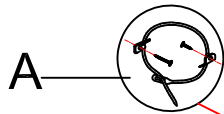
ITEM: 7050-90013-02 Wardrobe  
7050-90013-89 Wardrobe

Thank you for purchasing this quality product. Be sure to unpack carefully looking for small parts which may have come loose during shipment.

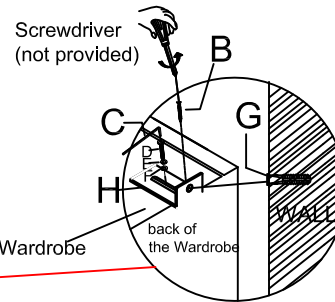
Read all instruction and study the drawing carefully before starting the assembly process.

| HARDWARE PACK |   |                |             |       |
|---------------|---|----------------|-------------|-------|
| NO.           | DRAWING   | DESCRIPTION    | SIZE        | Q'TY  |
| A             |  | Anti - Tip Kit |             | 1 PC  |
| B             |  | Screw          | 1 1/4"      | 2 PCS |
| C             |  | Allen Wrench   | 69*27.2*4mm | 1 PC  |
| D             |  | Bolt           | 1/4"        | 2 PCS |
| E             |  | Lock Washer    | 1/4"        | 2 PCS |
| F             |  | Flat Washer    | 1/4"        | 2 PCS |
| G             |  | Plastic Anchor | ∅ 9*30mm    | 2 PCS |
| H             |  | Hanger         | 75*30*38mm  | 2 PCS |

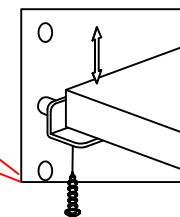
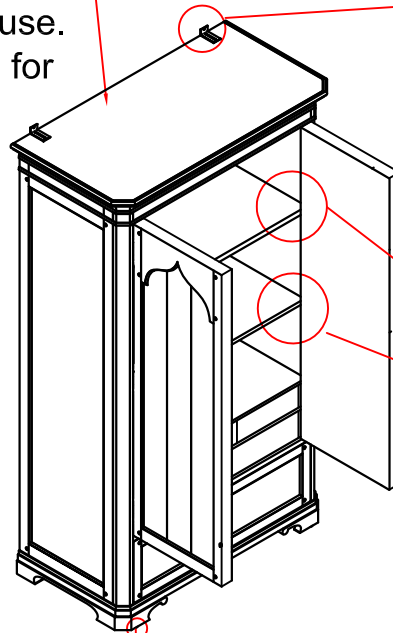
### Tipping Restraint



Anti-tip kit is included for use. We recommend installing for safety reason.

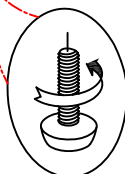


Mount the hanger (H) to the top of Wardrobe, then attach the Wardrobe to a wall.



The adjustable shelves are screwed in place to avoid damage during transit. To adjust the shelf height, remove screws then place shelf pins in the desired level.

Adjust leveler if needed to level wardrobe on uneven floor.



Note: Anti-tip kit restraint is provided. Please follow the instructions enclosed with the pack.