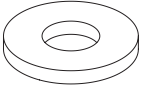
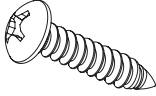
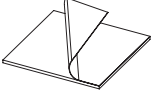
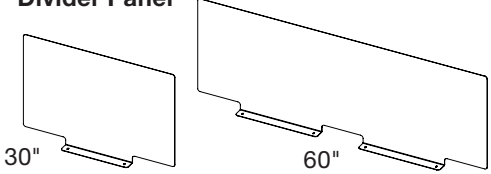


Privacy Panel Divider Installation

Items Included

Washers x 4 	Screws x 4 	Double-Side Tape x 4 (30" Panel) x 6 (60" Panel) 	30" or 60" Divider Panel x 1 
--	---	--	--

Tools Required

- Tape Measure

If using included fasteners to assemble you will also need:

- Drill
- Phillips Bit
- Clamp (x 2)

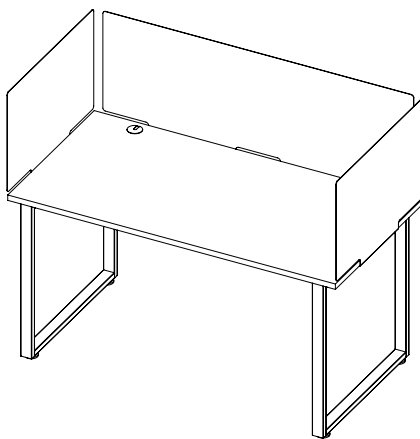
Preparation Notes

- Surface should be clean and dry prior to installation.
- Isopropyl alcohol antiseptic wipes such as those commonly used for first aid can be used to prep the surface.
- If necessary, use an adhesive remover to clean residual tape when the divider is removed.

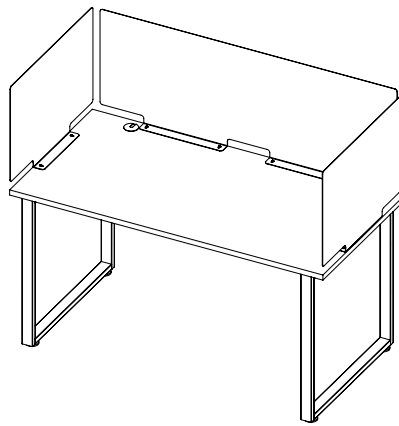
⚠ Read all instructions. Open, identify, and count all parts prior to assembly.

⚠ Each divider panel is sold separately. Two people are recommended for installation.

Mounting Options

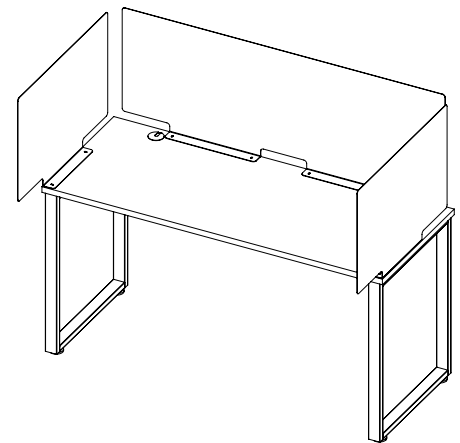


- Below work surface using supplied fasteners.



- On top of work surface using supplied fasteners or double sided tape.

Alternative Mounting



- Dividers can be mounted overhanging one edge to create further division between work spaces.

Under Mount with Fasteners

Tools Required

- Tape Measure
- Drill
- Phillips Bit
- Clamp (x 2)

⚠ **Check that the screw length is not too long before attaching to surface.**

⚠ **Do not use double side tape to under mount the divider panel.**

1. Identify where the divider panel will be installed. Check that there are no obstructions below the worksurface that will interfere with the installation of the divider panel.
2. Hold or clamp the divider panel below the worksurface.
3. Use a drill with Phillips bit to install screws and washers through the slots in the divider panel into the worksurface. Use two screws to attach the 30" divider panel and four screws to attach the 60" divider panel. **Figure 1**

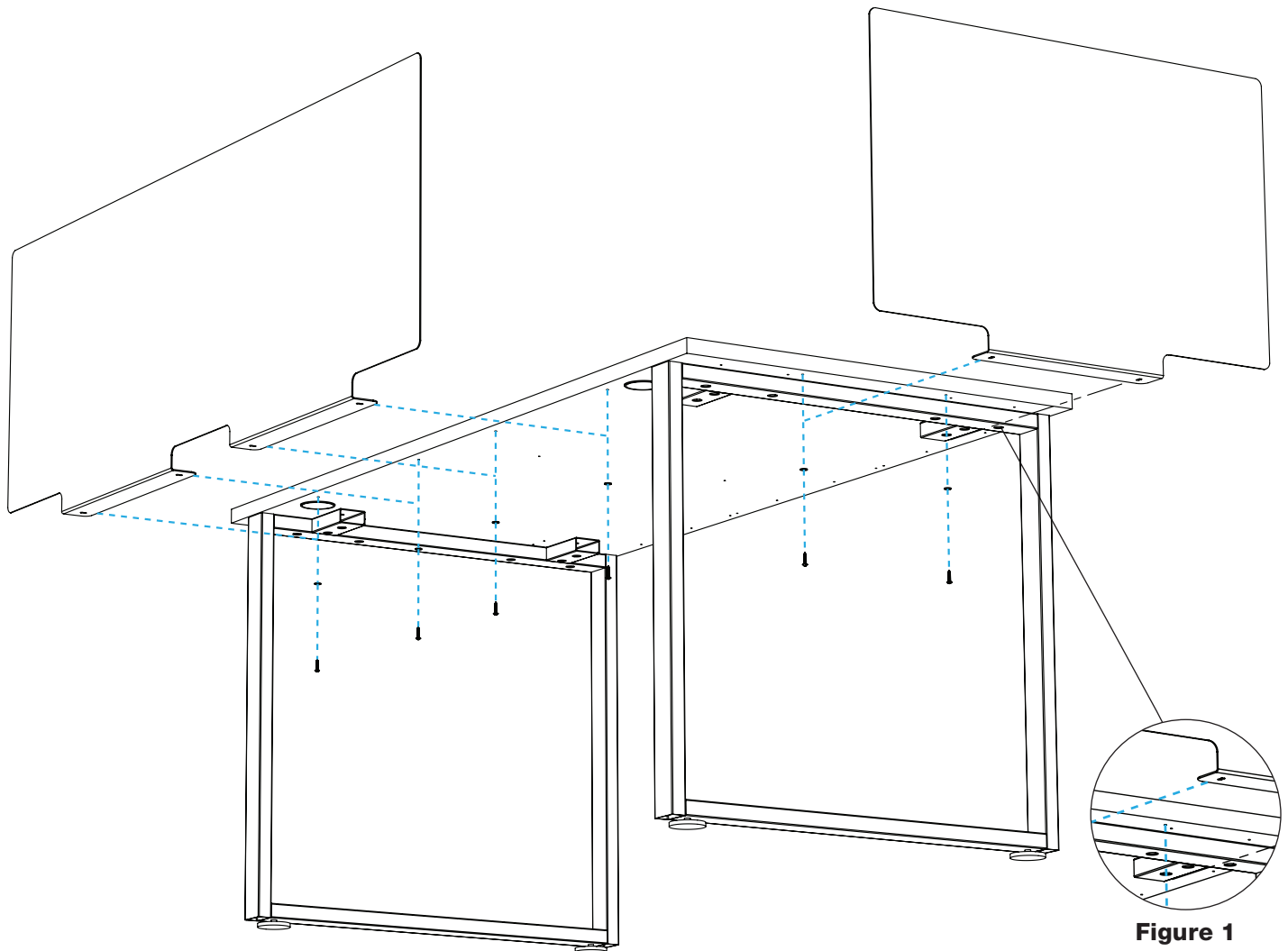


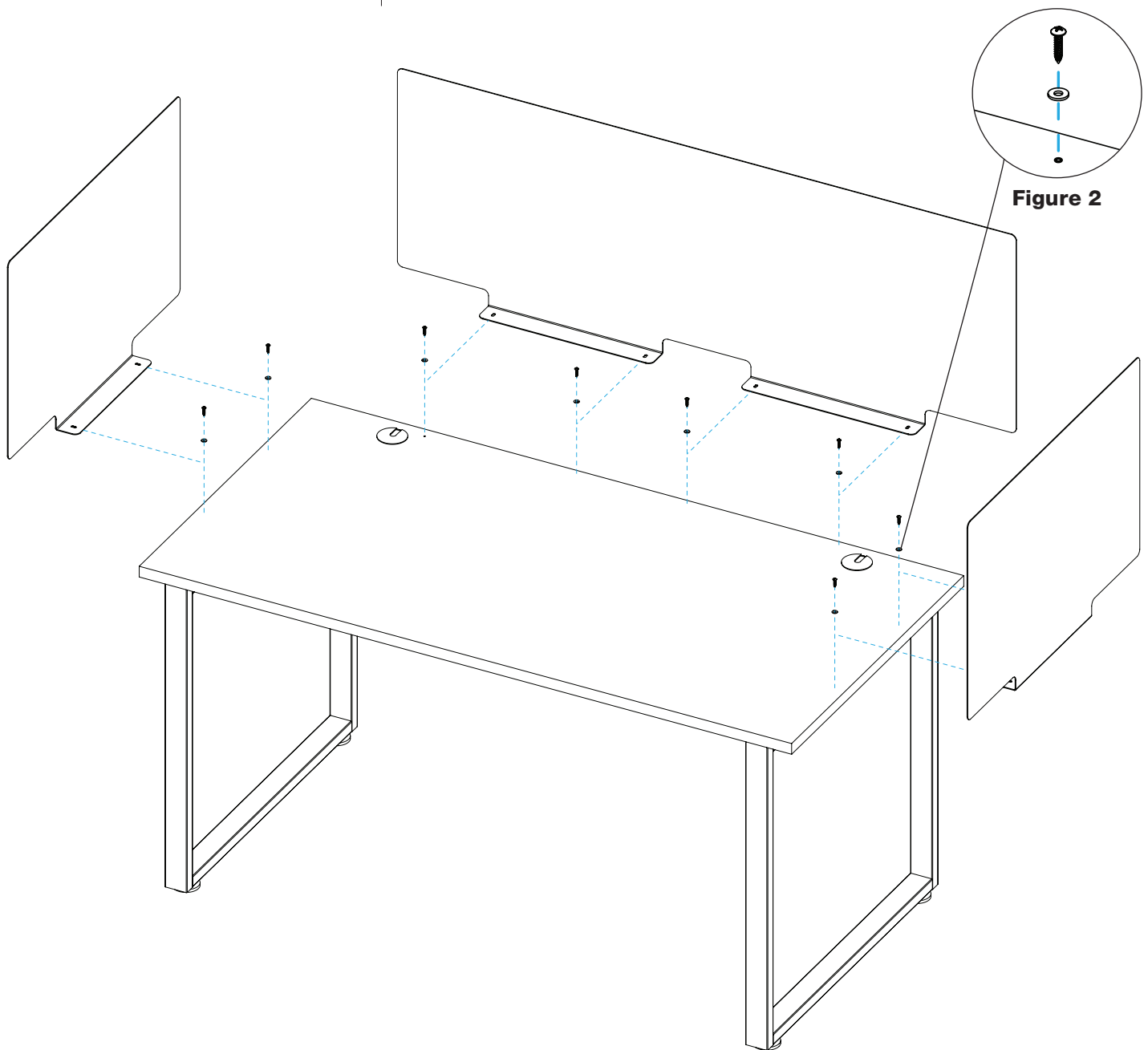
Figure 1

Top Mount with Fasteners

Tools Required

- Tape Measure
- Drill
- Phillips Bit
- Clamp (x 2)

1. Identify where the divider panel will be installed. Check that there are no obstructions on the worksurface that will interfere with the installation of the divider panel.
2. Hold or clamp the divider panel on top of the worksurface.
3. Use a drill with Phillips bit to install screws and washers through the slots in the divider panel into the worksurface. Use two screws to attach the 30" divider panel and four screws to attach the 60" divider panel. **Figure 2**



Top Mount with Double-Sided Tape

Tools Required

- Tape Measure

❗ **Do not use double side tape to under mount the divider panel.**

- Isopropyl alcohol antiseptic wipes such as those commonly used for first aid can be used to prep the surface.

1. Clean surface with an appropriate cleaner. Surface and divider panel must be free of oils, dust, and residue for proper adhesion.
2. Identify and measure where the divider panel will be installed. Check that there are no obstructions on the worksurface that will interfere with the installation of the divider panel.
3. Remove liner from one side of the double sided tape and apply the tape to the bottom flange of the divider panel. **Figure 3**
4. Lay divider panel on the worksurface and remove remaining liners from the double-sided tape.
5. Position the divider in desired location, flip up, and firmly push down the tape side of the divider to the work surface. Allow 48 hours to achieve complete adhesion.

Rotate panel base into place as arrows indicate

