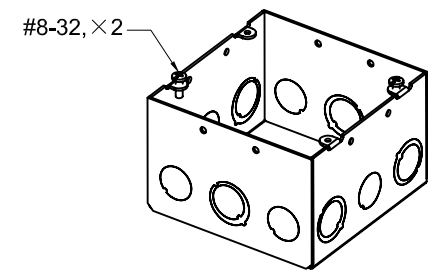
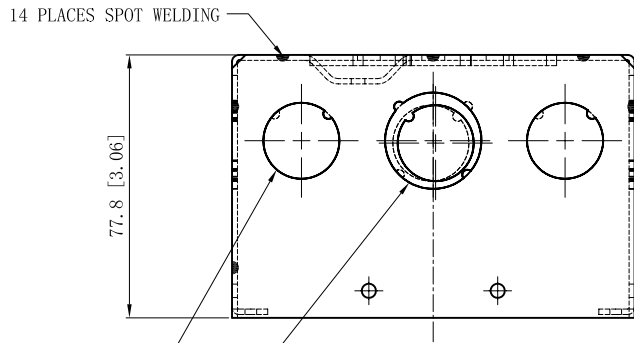
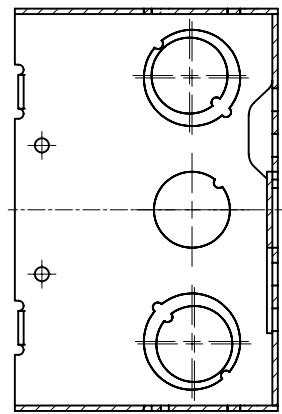


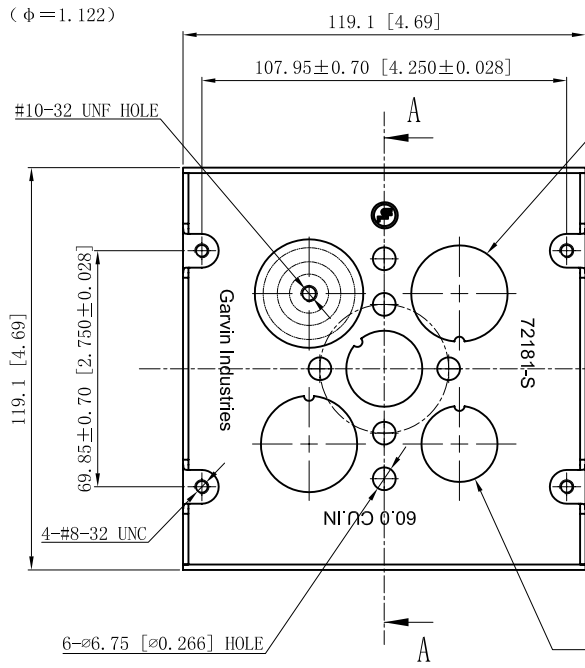
SIDES	BOTTOM
6 1/2" KNOCKOUTS	2 1/2" KNOCKOUTS
6 1/2"-3/4" MOON KNOCKOUTS	2 3/4" KNOCKOUTS
	1 Ground Hump
2 PCS 8-32x1/2 Screws Installed	
Material: Steel-0.0625"-G60 Galvanized	



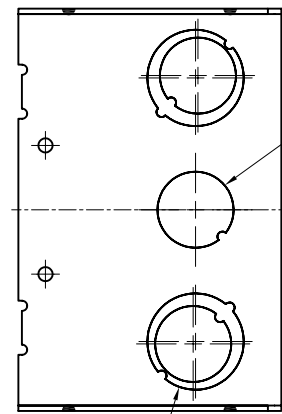
- 4 1/2" KNOCKOUTC  $\phi = 22.50$  ( $\phi = 0.886$ )
- 2 1/2-3/4" MOON KNOCKOUTS  $\phi = 22.50$  ( $\phi = 0.886$ )  
 $\phi = 28.50$  ( $\phi = 1.122$ )



CUTAWAY VIEW A-A



2 3/4" KNOCKOUTS  $\phi = 28.50$  [ $\phi = 1.122$ ]



2 1/2" KNOCKOUTC  $\phi = 22.50$  ( $\phi = 0.886$ )

4 1/2-3/4" MOON KNOCKOUTS  $\phi = 22.50$  ( $\phi = 0.886$ )  
 $\phi = 28.50$  ( $\phi = 1.122$ )

This data sheet is for reference only. GARVIN INDUSTRIES reserves the right to make changes to the design without prior notice.

DESCRIPTION
TRADE REFERENCE TERMS

STANDARD PACKING
25 PCS

<b>GARVIN INDUSTRIES</b>		
4-11/16" SQUARE BOXES 3" DEEP		
SIZE	DWG NO.	REV
A4	72181-S	C
DATA SHEET		