

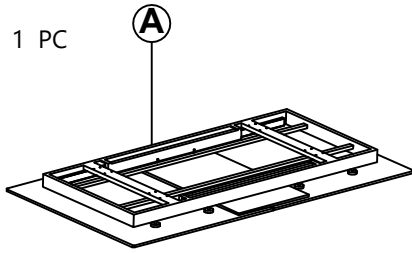
# LUCIA SINGLE EXTENSION DINING TABLE ASSEMBLY INSTRUCTIONS



## PARTS PACKING CONFIGURATIONS

BOX #1

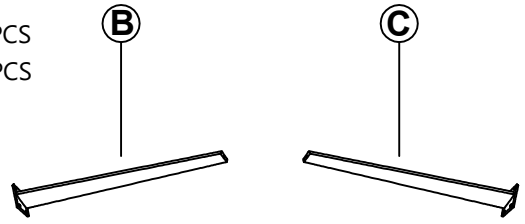
A. TABLE TOP 1 PC



BOX #2

B. LEG B 2 PCS

C. LEG C 2 PCS



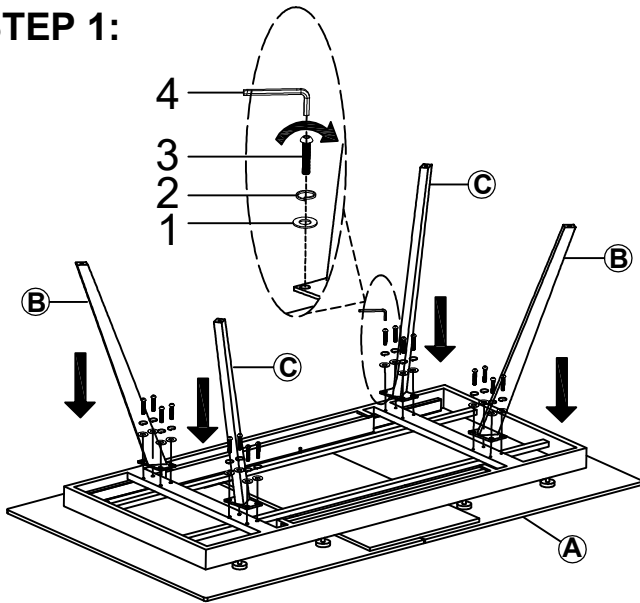
### HARDWARE KIT PACKED IN BOX #2

No.	DESCRIPTION	IMAGE	QTY
1	FLAT WASHER (M8)		16 PCS
2	SPRING WASHER (M9)		16 PCS
3	ALLEN BOLT (M8x30mm)		16 PCS
4	ALLEN KEY (S5)		1 PC
5	SPANNER		1 PC

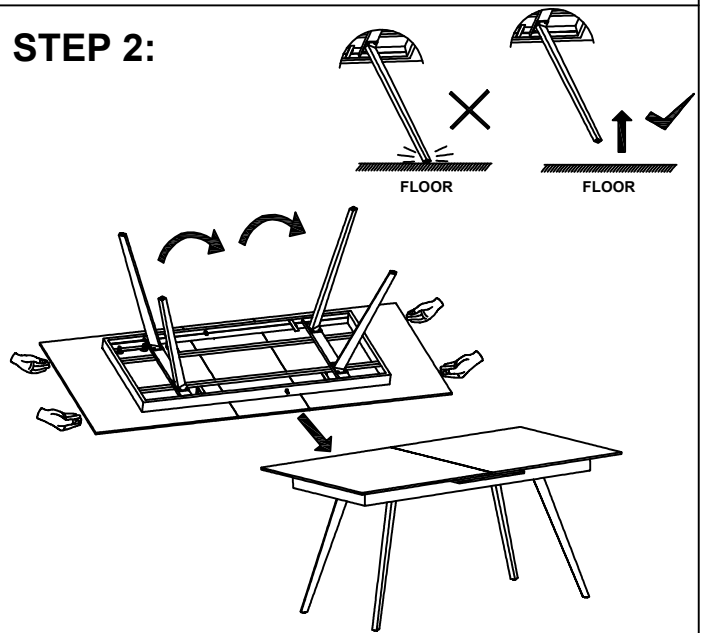
### FULLY ASSEMBLED



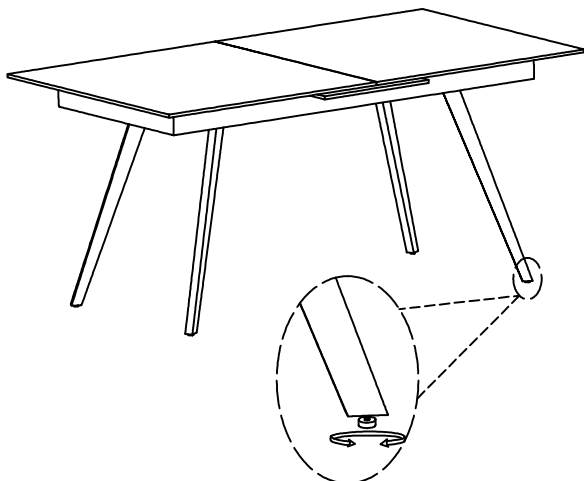
### STEP 1:



### STEP 2:



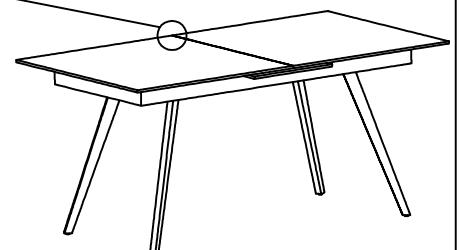
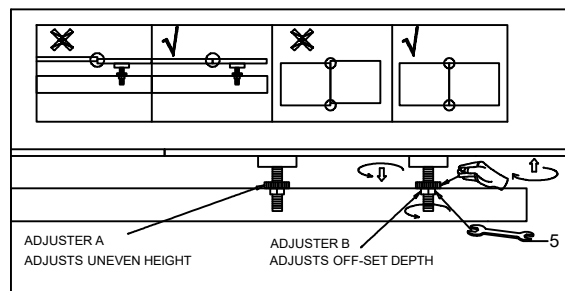
### STEP 3:



ASSEMBLY COMPLETE

### LEVELING UNEVEN TOP

IF THE TABLE TOP HALVES ARE NOT LEVELLED WITH EACH OTHER, ADJUST AS FOLLOWS.

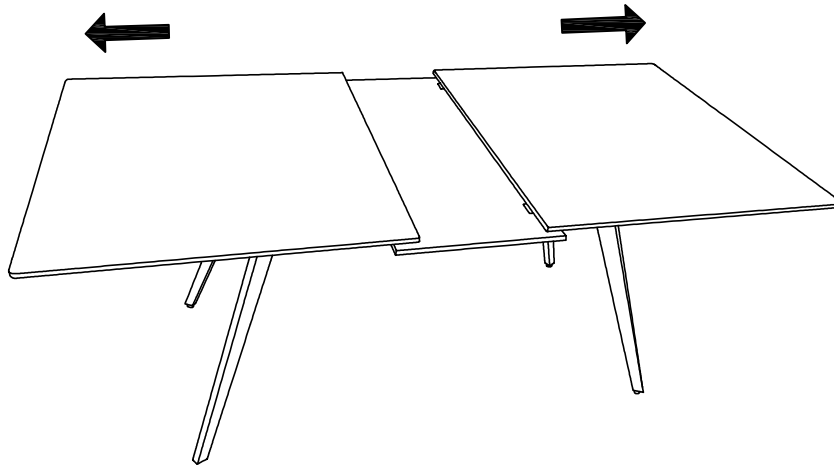


# LUCIA SINGLE EXTENSION DINING TABLE ASSEMBLY INSTRUCTIONS

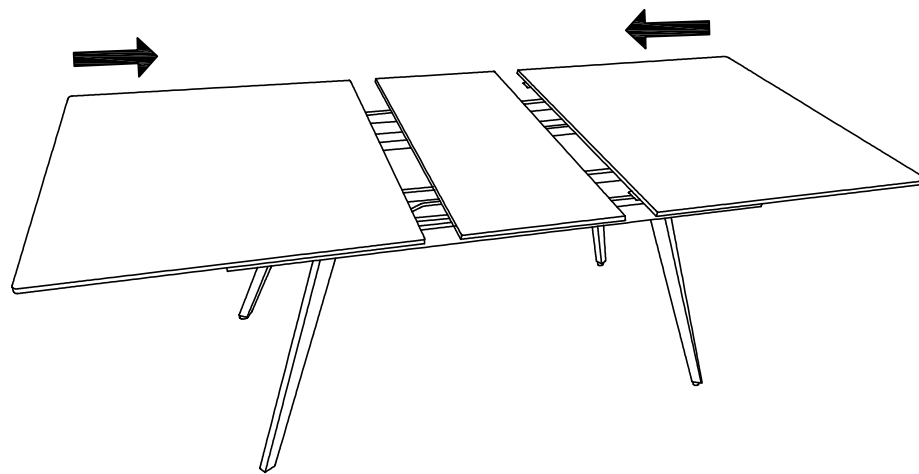


## EXTENDING TABLE TOP

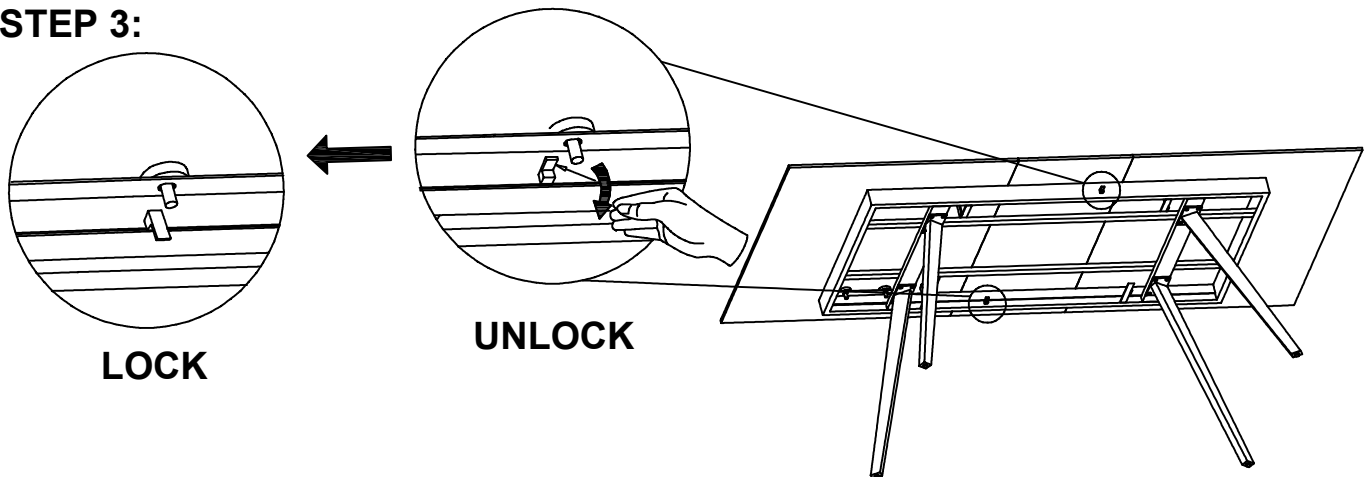
STEP 1:



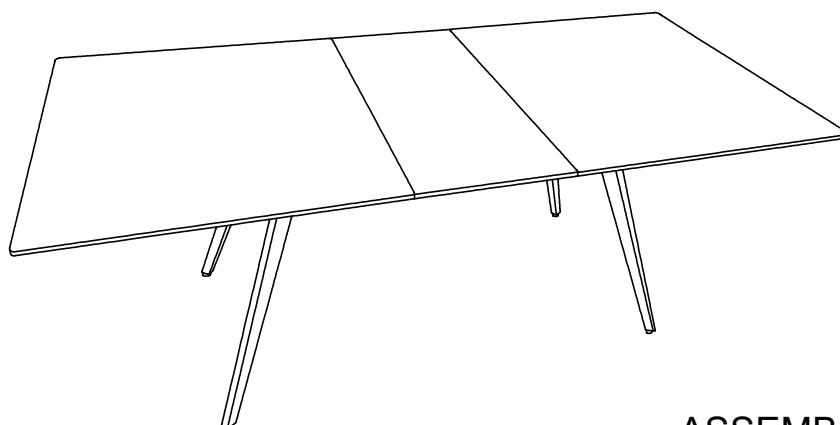
STEP 2:



STEP 3:



STEP 4:



ASSEMBLY COMPLETE