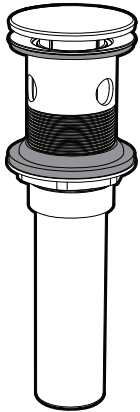


## INSTALLATION INSTRUCTIONS

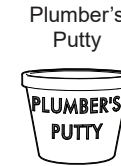
### Push Drain



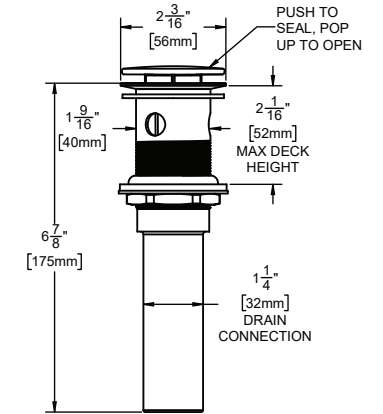
## IMPORTANT

Be sure to read and understand all instructions before beginning installation.  
 Cover the drain to avoid loss of parts.  
 Be sure to wear proper eye protection.  
 Do NOT over tighten any connections or damage may occur.  
 Your new Speakman Product is designed for years of trouble-free performance. Keep it looking new by cleaning it periodically with a soft cloth. The use of harsh chemicals and abrasives on any of the Speakman custom finish products may damage the finish and void the product warranty. Please be sure to only use approved cleaners. Please contact Speakman for any clarification of acceptable cleaners.

## TOOLS AND SUPPLIES

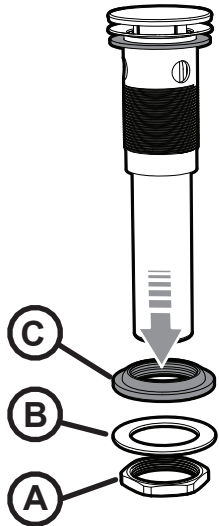


## ROUGH IN DIAGRAM



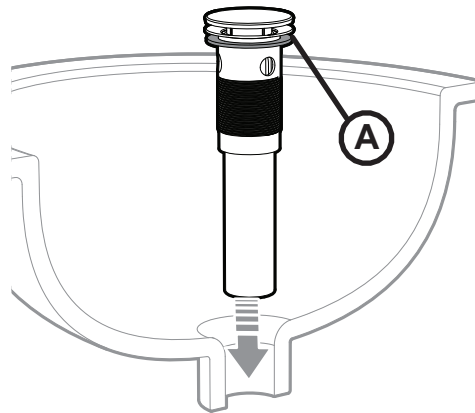
## PREPARE DRAIN

- 1 Remove Mounting Nut (A), Metal Washer (B), and Sealing Washer (C) from Drain Assembly.



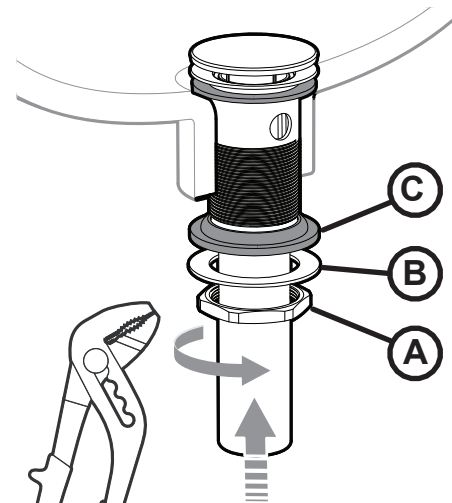
## POSITION DRAIN

- 2 Apply included Upper Drain Seal (A) or Plumber's Putty to the underside of the Upper Flange. Insert Drain Assembly into drain hole of sink from above.



## SECURE DRAIN

- 3 From below, reinstall Sealing Washer (C), Metal Washer (B), and secure with Mounting Nut (A). Tighten with Slip Joint Pliers. Take care to not over-tighten connection.



## TEST DRAIN

- 4 Test Drain operation by pressing down on Stopper to open/close Drain.

