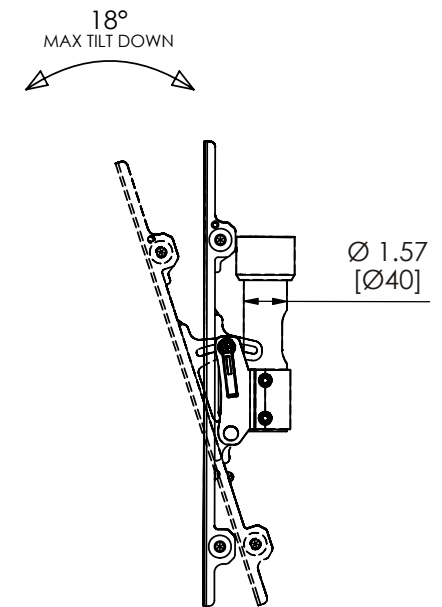
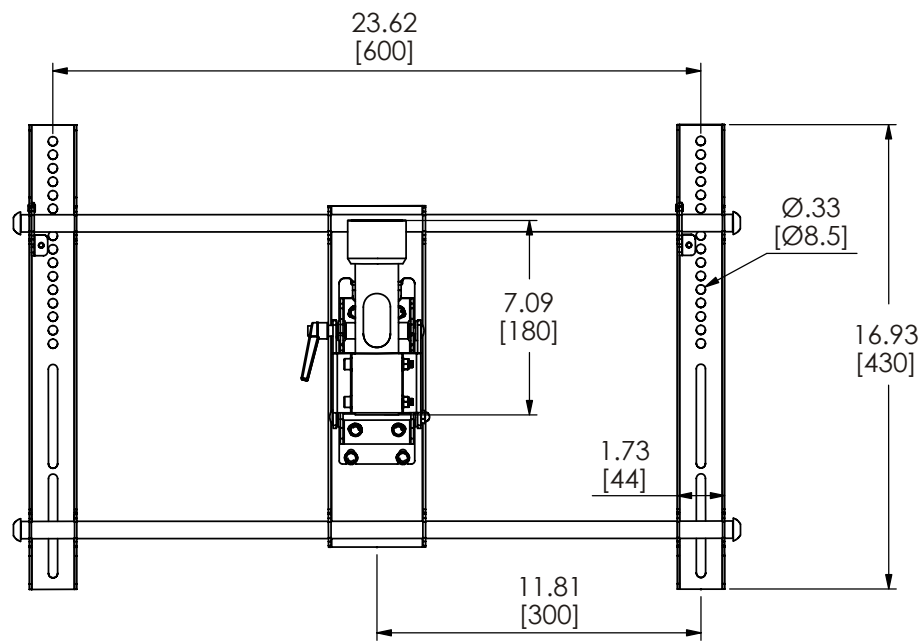
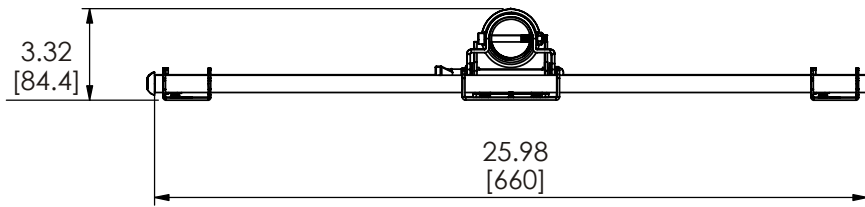


# CEIL3280



**BRKT**  
B R A N D

WWW.BRKTBRAND.COM

NOTES: UNLESS OTHERWISE SPECIFIED

1. VESA STANDARD COMPATABILITY: 200X100 ~ 600X400
2. MAXIMUM VESA MOUNTING CONFIGURATION: 600X400
3. SCREEN SIZE COMPATABILITY: MOST 32-80" SCREENS
4. MAXIMUM WEIGHT CAPACITY: 150LBS (56.8KG)
5. PRODUCT COLOR: BLACK
6. VIEWING ANGLE INCREMENTS: 0° ~ 18°