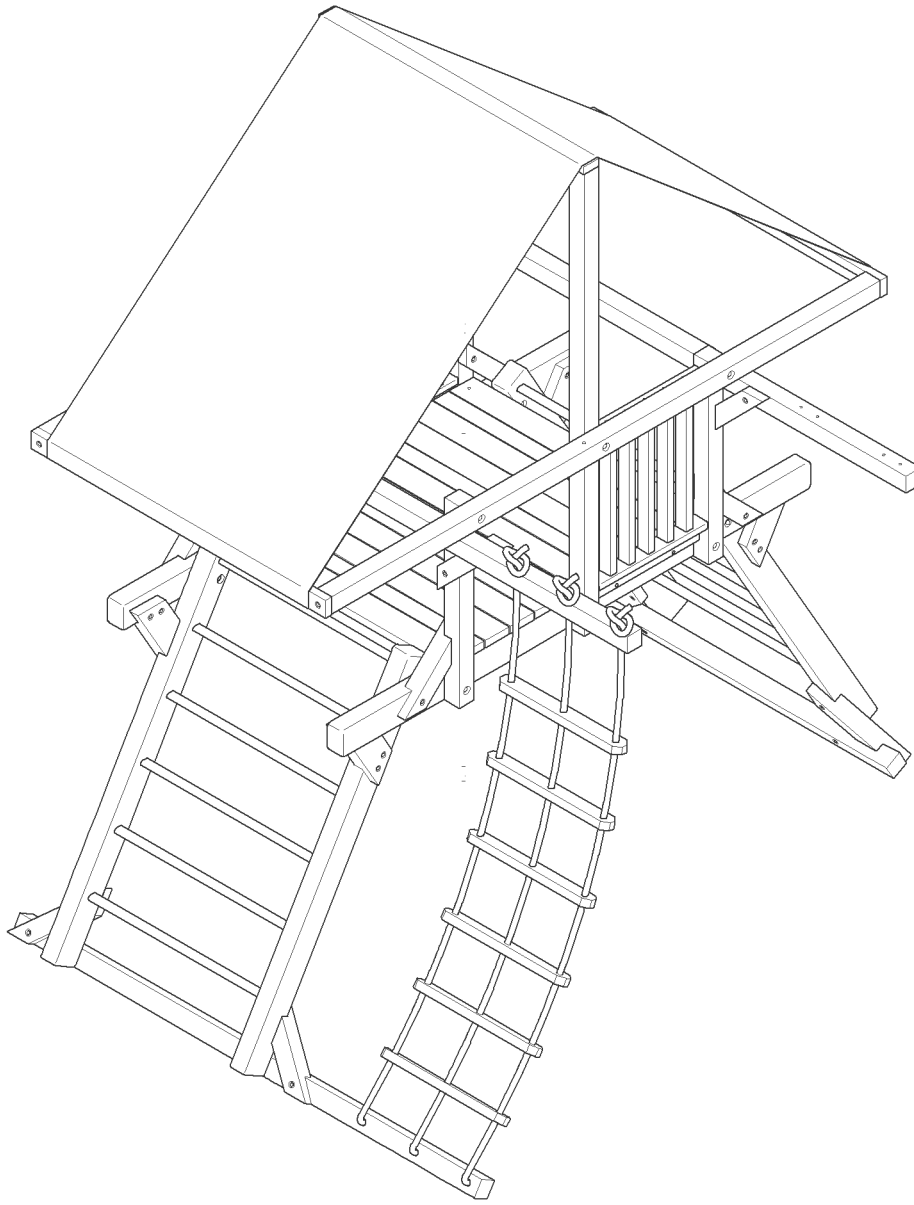




O u t b a c k

Assembly Instructions



Every day is a great day in Woodplay.™

2101 HARROD STREET • RALEIGH, NC 27604 • 800/982-1822 • 919/875-4499 • FAX 919/875-4264 PA-MAN-OB-03

©2010 Woodplay. All rights reserved.

Adults Must:

- Limit climbing and swinging heights to each child's ability.
- Verify that suspended climbing ropes are secured at both ends.
- Verify that suspended climbing ropes cannot be looped back on themselves.
- Dress children appropriately for play. Use well-fitting Shoes that do not have slippery soles.
- Avoid ponchos, scarves, hoods, loose-fitting clothing, neckties, and any clothing with a drawstring. Serious injury could result should any part of the children's clothing become entangled in the equipment.
- Do not allow children to play wearing helmets.
- Remember that children are inventive. When they develop games that are unsafe, be alert and change the rules.
- Note the weight limit for any single user on WOODPLAY equipment is 200 pounds. Limit the number of users to one on each swing. The tower portion of the play system will accommodate four to six additional users with a max combined weight of 1100 pounds for entire playset.
- This product is intended for use by children from ages 3 to 12 years of age

Teach Children:

- Not to walk close to, in front of, behind, or between moving items.
- Not to twist the swing ropes, or loop them over the top support bar, since this may reduce the strength of the rope.
- Not to swing empty swing seats.
- Not to swing sideways into the path of adjacent swings.
- Not to use the equipment in a manner other than that for which it is intended.
- Not to get off the equipment while it is in motion.
- Not to jump off the tower.
- Not to climb or swing when they are wet or when the equipment is wet.
- To sit in the center of the swings with their full weight on the seats.
- To hold on to swings and climbers with both hands.
- Not to stand in the swing seats.
- Not to ride or leave bicycles or other toys in the swing area.
- Not to use hammers, saws, nails, or wrenches on the equipment.
- Not to swing so high that chains become slack, or above the height of the swing support.
- Not to jump on a slide.
- Not to climb on top of the swing support.
- Not to attach to the playground equipment any item that is not specifically designed for use with the equipment, such as (but not limited to) jump ropes, clotheslines, pet leashes, cables, and chains. These may become strangulation hazards.
- To slide feet first, never head first.
- To watch for other children while swinging or playing near the equipment.

I N T R O D U C T I O N

Welcome to our family of ready-to-build backyard play equipment. WOODPLAY playsets are designed with ease of assembly in mind and we provide these step-by-step installation instructions.

After reading the information below, locate your structure site and carefully unpack parts. As you unpack your playset, notice the part identification tags on each part and become familiar with each part before beginning assembly. Remember that a little extra time spent familiarizing yourself with the parts and instructions before you begin will help you avoid mistakes and save you time later.

Choosing A Location For Your Playset

When selecting your structure site, always keep the child's safety in mind. Here are some recommendations to help you create a safe play area.

A. The playset should be located on level ground. The stationary components such as ladders and slides are **REQUIRED** to be a minimum of six feet from any structure or obstruction such as a fence, garage, house, tree or overhanging branches, electrical wires or clotheslines. Any swinging equipment is also **REQUIRED** to be a minimum distance twice the height of the swing beam away from these obstructions or structures as well. We also recommend that you do not install your playset near a lake, river, swimming pool or other water hazard.

B. The U.S. Consumer Product Safety Commission (CPSC) recommends that you install and maintain a resilient surface under your play equipment. The CPSC's Consumer

Information Sheet for Playground Surfacing Materials is on the last page. A resilient surface, should be installed after the equipment has been completely assembled according to these instructions. The equipment must rest on solid ground. Please note that this product has a maximum fall height of 8'.

Do not install home playground equipment indoors, or over concrete, asphalt, packed earth, grass, carpet or any other hard surface. A fall onto a hard surface can result in serious or fatal injury.

Responsible on-site adult supervision is one of the most important contributions to children's safety that you can make. WOODPLAY strongly recommends on-site adult supervision of children of all ages. Safe swinging and climbing skills need to be taught to children, just like any

Maintaining Your Playset

Here are some maintenance tips required to insure safe enjoyment of your equipment for years to come.

A. At the beginning of each usage season and every two weeks during, check: nuts and bolts and tighten as needed, swing seats, chains, ladders, slides, rope and wood components for signs of deterioration and replace if necessary.

B. On a yearly basis, we recommend that you coat your playset with a sealant or preservative. You may also want to spot sand any areas prior to sealing. Be sure that the sealant you select is non-toxic and child safe. Your local WOODPLAY dealer may offer a complete sealant and maintenance program.

C. Do not use line trimmers or "weed eaters" around your play equipment. The line will remove both paint and wood from uprights and base pieces. Any damage resulting from this type of abuse is not covered under our limited warranty.

D. Remove plastic swing seats and take indoors or do not use when the temperature drops below 0° F.

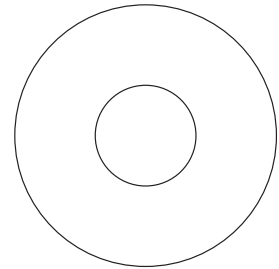
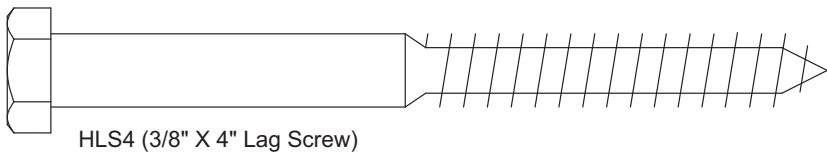
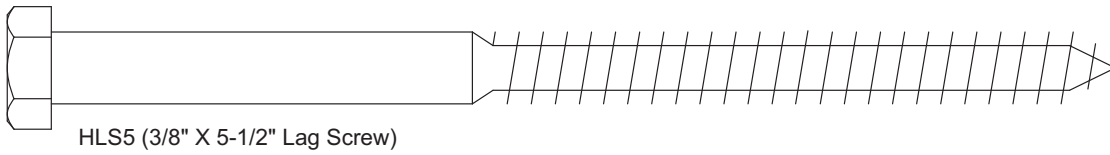
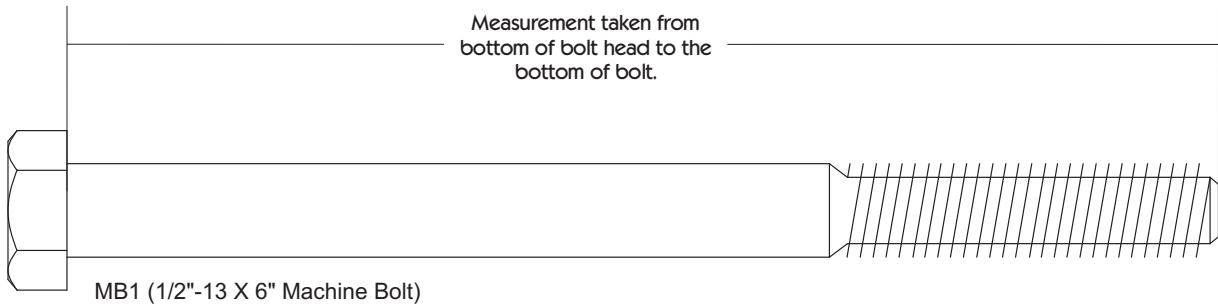
E. When the time comes to disassemble and dispose of the play equipment, do so in such a way that no hazards will exist at the time the equipment is discarded.

If you have any questions about your playset, or are in need of replacement parts, contact your local WOODPLAY Representative. Please keep these instructions for future reference.

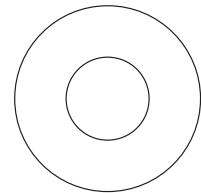
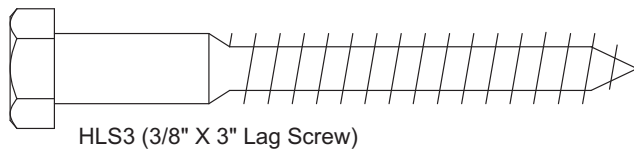
HARDWARE IDENTIFICATION

NOTE TO INSTALLER

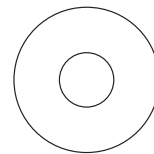
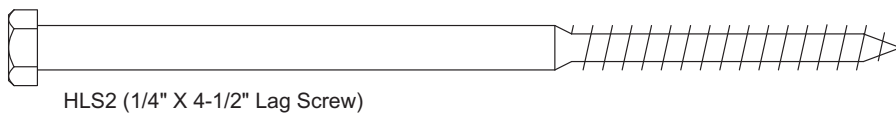
You must assemble this product in accordance with these Assembly Instructions. After assembly is complete, please give this Owner's Manual to the owner of the play system.



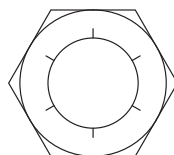
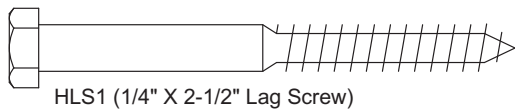
FW4 (1/2" Standard Flat Washer)



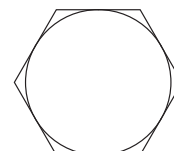
FW2 (3/8" Standard Flat Washer)



FW1 (1/4" Standard Flat Washer)



SN2 (1/2"-13 Loc Nut)



ACRN1 (1/2"-13 Acorn Nut)

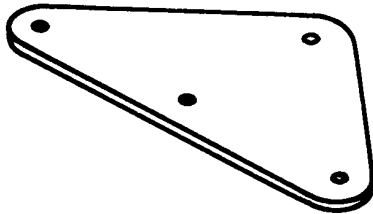
T O O L S N E E D E D

Tools Needed:

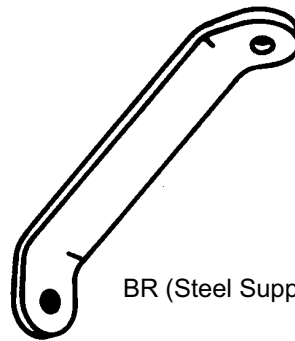
Hammer
Carpenter's Level
Tape Measure
3/8" Drive Ratchet
7/16" Socket (for 1/4" Lag Screws)
9/16" Socket (for 3/8" Lag Screws)
3/4" Socket (for 1/2" Machine Bolts & Nuts)
Drill & 3/8" Bit
A Friend or Neighbor

S W I N G B E A M H A R D W A R E

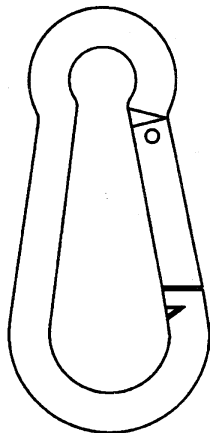
NOTE: All items shown may not be required or are optional for your playset.



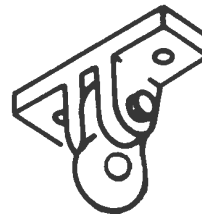
PL (Steel Triangle Plate)



BR (Steel Support Brace)



CL (Spring Clip)



DH (Ductile Swing Hanger)

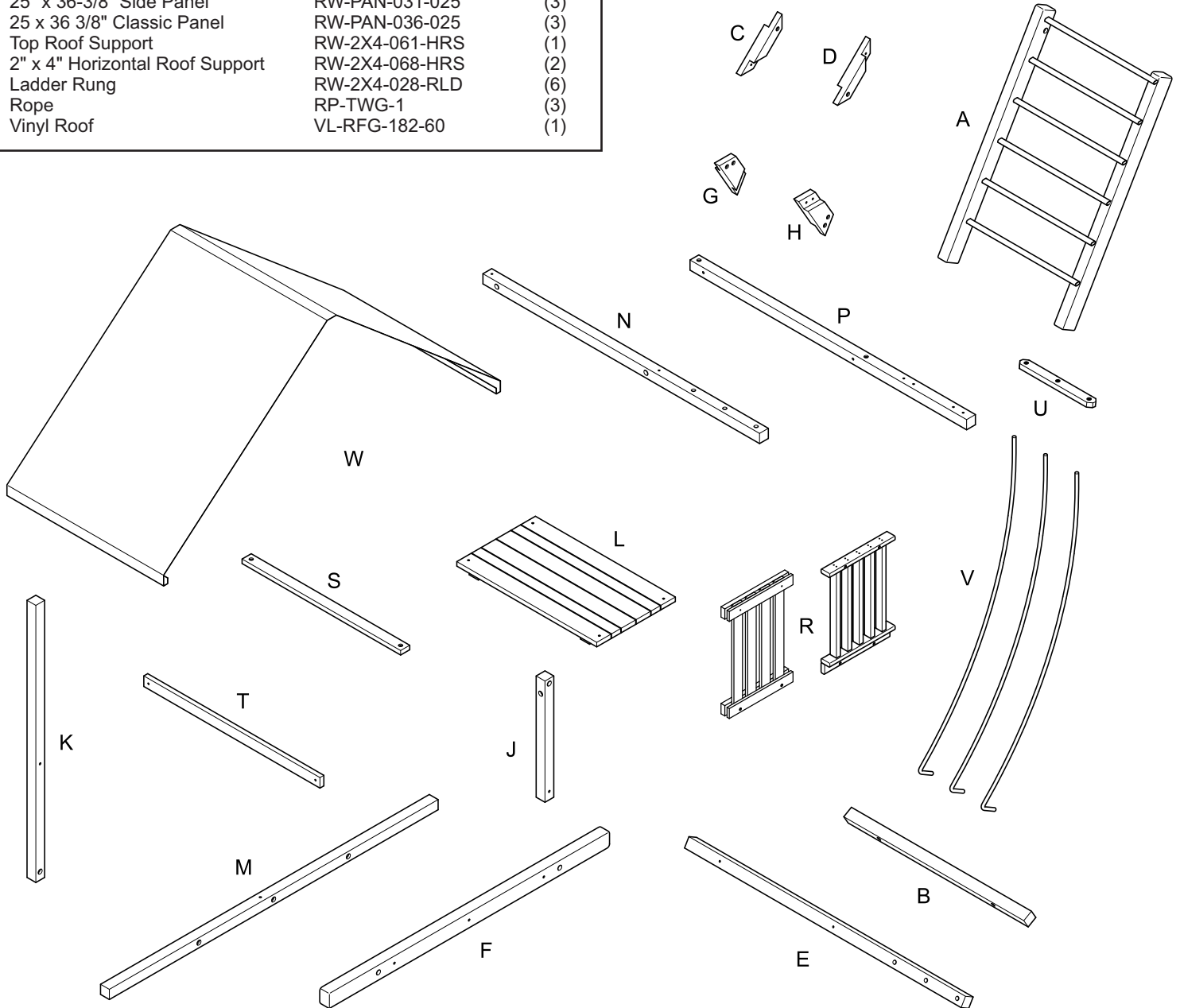
STANDARD PARTS LIST

NOTE: Some options (eg. Overhead Climber) are shown in their own manual.

ITEM	DESCRIPTION	PART NUMBER	QUANTITY
A	See Ladder Parts List		(2)
B	Base Support	RW-4X4-069-BS	(1)
C	Right 45° Brace	RW-4X4-020-BRR	(5)
D	Left 45° Brace	RW-4X4-020-BRL	(5)
E	Rope Ladder Base Support	RW-4X4-107-BSRL	(1)
F	Deck Support	RW-4X6-108-DS	(2)
G	Right 30° Brace	RW-4X6-017-BRR	(2)
H	Left 30° Brace	RW-4X6-017-BRL	(2)
I	Not Used		
J	Corner Post	RW-4X4-040-CP	(4)
K	Vertical Roof Support	RW-4X4-092-VRS	(2)
L	Deck Panels (53-5/8" x 30-1/8")	RW-DEK-054-030	(2)
M	4" x 4" Horizontal Roof Support	RW-4X4-126-HRS	(2)
N	Rope Ladder Accessory Arm	RW-4X4-106-RLAA	(1)
O	Not Used		
P	Single Accessory Arm	RW-4X4-106-AA	(1)
Q	Not Used		
R	25" x 36-3/8" Side Panel	RW-PAN-031-025	(3)
	25 x 36 3/8" Classic Panel	RW-PAN-036-025	(3)
S	Top Roof Support	RW-2X4-061-HRS	(1)
T	2" x 4" Horizontal Roof Support	RW-2X4-068-HRS	(2)
U	Ladder Rung	RW-2X4-028-RLD	(6)
V	Rope	RP-TWG-1	(3)
W	Vinyl Roof	VL-RFG-182-60	(1)

LADDER PARTS LIST	
ITEM	DESCRIPTION
RW-LAD-069-4X4	Rung Ladder Classic Deck 4x4
RW-LAD-069-CHN	Chain Ladder Classic Deck 4x4
RW-LAD-069-CWA	Climbing Wall Ladder Classic Deck
RW-LAD-069-RNG-CHN	Rung / Chain Ladder Classic Deck 4x4
RW-LAD-084-4X6	Rung Ladder Standard Deck 4x6
RW-LAD-084-CHN	Chain Ladder Standard Deck 4x6
RW-LAD-084-CWA	Climbing Wall Ladder Standard Deck
RW-LAD-084-RNG-CHN	Rung / Chain Ladder Standard Deck 4x6
RW-LAD-099-4X6	Rung Ladder High Deck 4x6
RW-LAD-099-CHN	Chain Ladder High Deck 4x6
RW-LAD-099-CWA	Climbing Wall Ladder High Deck
RW-LAD-099-RNG-CHN	Rung / Chain Ladder High Deck 4x6

Ladder size / style varies depending on options chosen.



STEP 1: ASSEMBLE PARTS A, B, C, D & E

1

PARTS NEEDED:

- (2) A Ladder (See Parts List)
- (1) B (Base Support)
- (2) C (Right 45° Brace)
- (2) D (Left 45° Brace)
- (1) E (Rope Ladder Base Support)

HARDWARE NEEDED:

- (4) HLS5 (3/8" x 5-1/2" Lag Screw)
- (8) HLS4 (3/8" x 4" Lag Screw)

NOTE: Before assembly, note the final Ladder Rung orientation.

NOTE: Pre drill holes with the appropriate drill bits.

1. Measure up 2" from the bottom of part **A** Ladder and assemble part **B** Base support using **HLS5** lag screws and **FW2** standard flat washers.
2. If ordered, substitute part **E** Rope Ladder Base Support in place of one of the part **B** Base Supports using the same hardware.

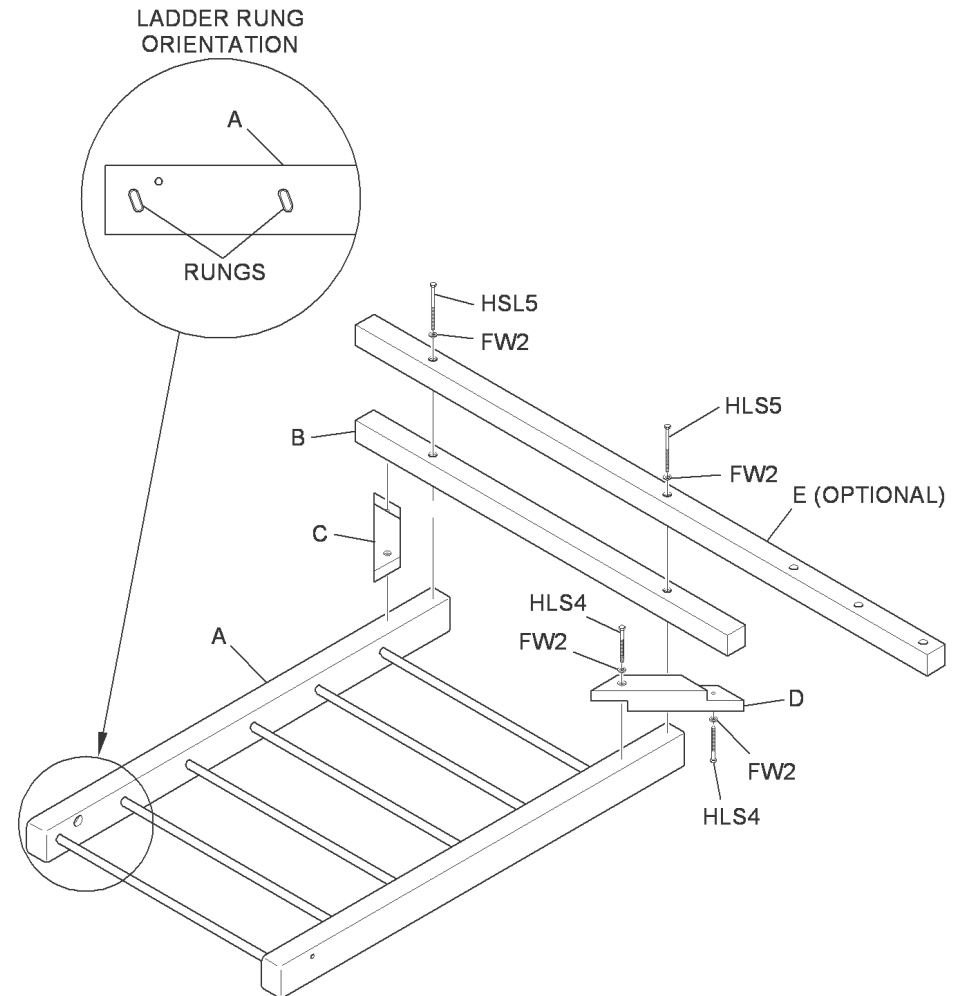
NOTE: The assembly of the Rung Ladder is shown throughout the Assembly Instructions even though it may not be an option on your system.

NOTE: Offset holes on ladders must be to the top and facing up.

NOTE: Counter sunk holes must be facing up on the runners.

3. Assemble part **C** Right 45° Brace and **D** Left 45° Brace to part **A** Ladder and part **B** or **E** Base Support using **HLS4** lag screws and **FW2** standard flat washers.

NOTE: There should be no gaps between mating surfaces of parts **C** and **D** 45° Braces, parts **A** Ladder, part **B** or **E** Base Support.



STEP 2: ASSEMBLE PARTS F & LADDER ASSYS.

2

PARTS NEEDED:

(2) F (Deck Support)

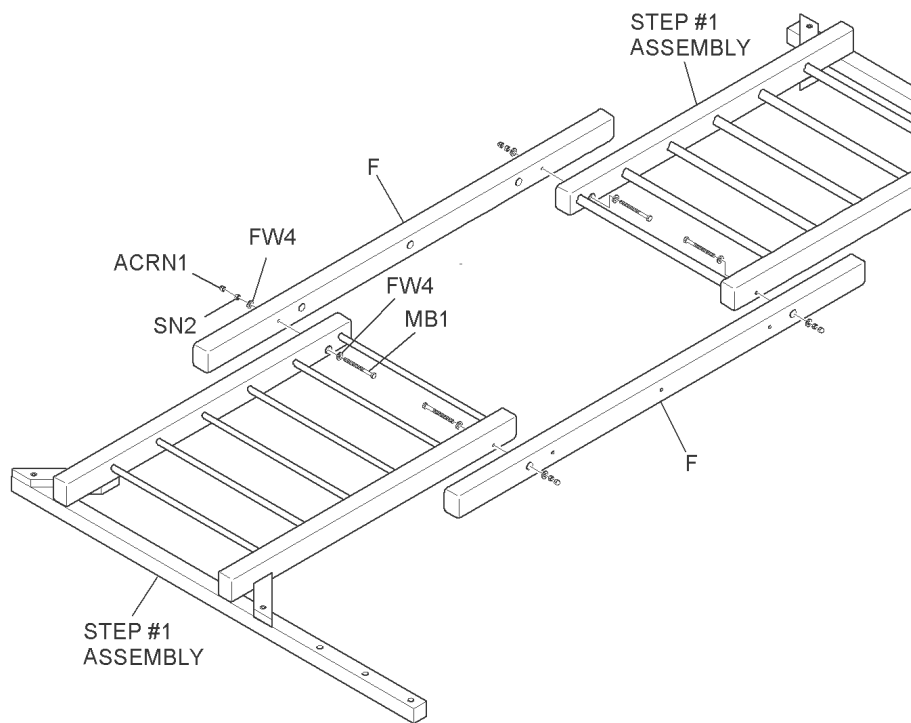
HARDWARE NEEDED:

(4) MB1 (1/2"-13 x 6" Machine Bolt)
 (8) FW4 (1/2" Standard Flat Washer)
 (4) SN2 (1/2" Lock Nut)
 (4) ACRN1 (1/2"-13 Acorn Nut)

1. Position Ladder Assemblies from Step #1 (parts **A**, **B**, **C**, **D**, or **E**) with part **B** and/or part **E** Base Support down and assemble part **F** Deck Support using **MB1** machine bolts, **FW4** standard flat washers, **SN2** lock nuts, and **ACRN1** acorn nuts.

NOTE: The three center counter sunk holes in part **F** Deck Support must face inward toward each other and the opposite two holes face outward.

NOTE: Do not tighten hardware all the way at this time.



STEP 3: ASSEMBLE PARTS G & H

3

PARTS NEEDED:

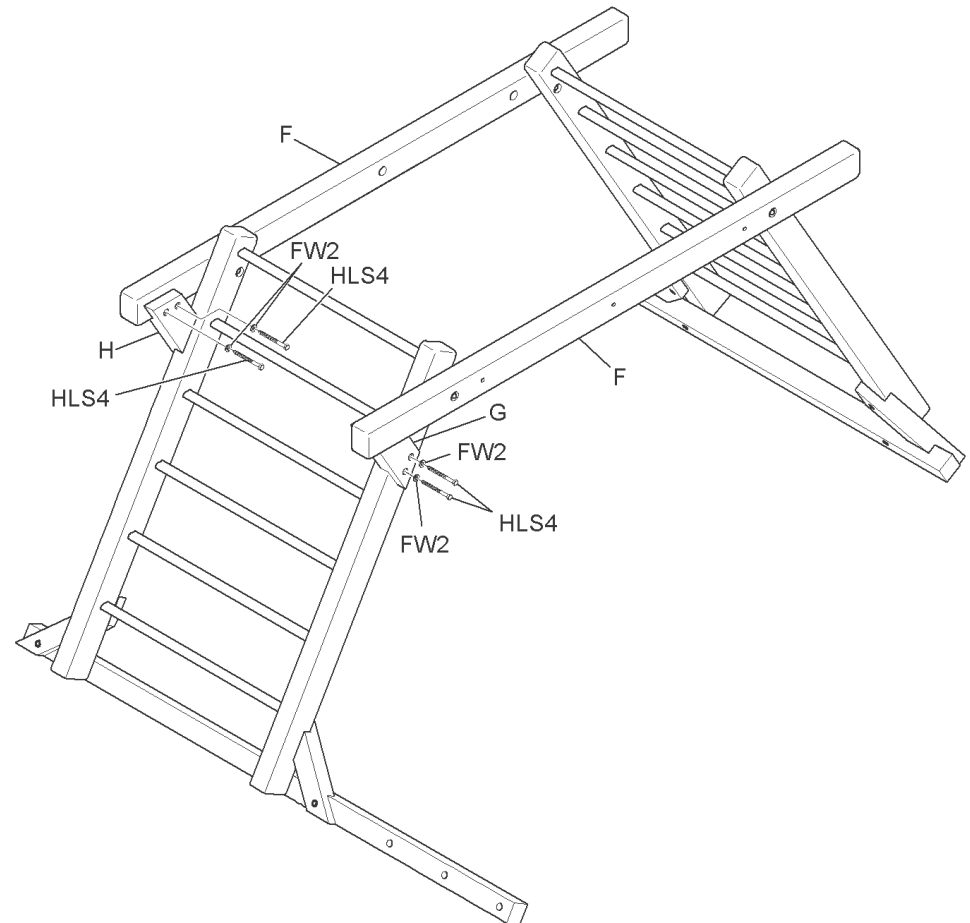
(2) G (Right 30° Brace)
 (2) H (Left 30° Brace)

HARDWARE NEEDED:

(16) HLS4 (3/8" x 4" Lag Screw)
 (16) FW2 (3/8" Standard Flat Washer)

1. Assemble part **G** Right 30° Brace and part **H** Left 30° Brace to parts **F** Deck Supports and part **A** Ladder using **HLS4** lag screws and **FW2** standard flat washers.
2. Repeat #1 for the opposite Ladder option.

NOTE: When installed correctly, there should be no gaps between mating surfaces of the parts **G** and **H** 30° Braces, part **A** Ladders, and part **F** Deck Supports.



STEP 4: ASSEMBLE PARTS J & K

4

PARTS NEEDED:

- (4) J (Corner Post)
- (2) K (Vertical Roof Support)

HARDWARE NEEDED:

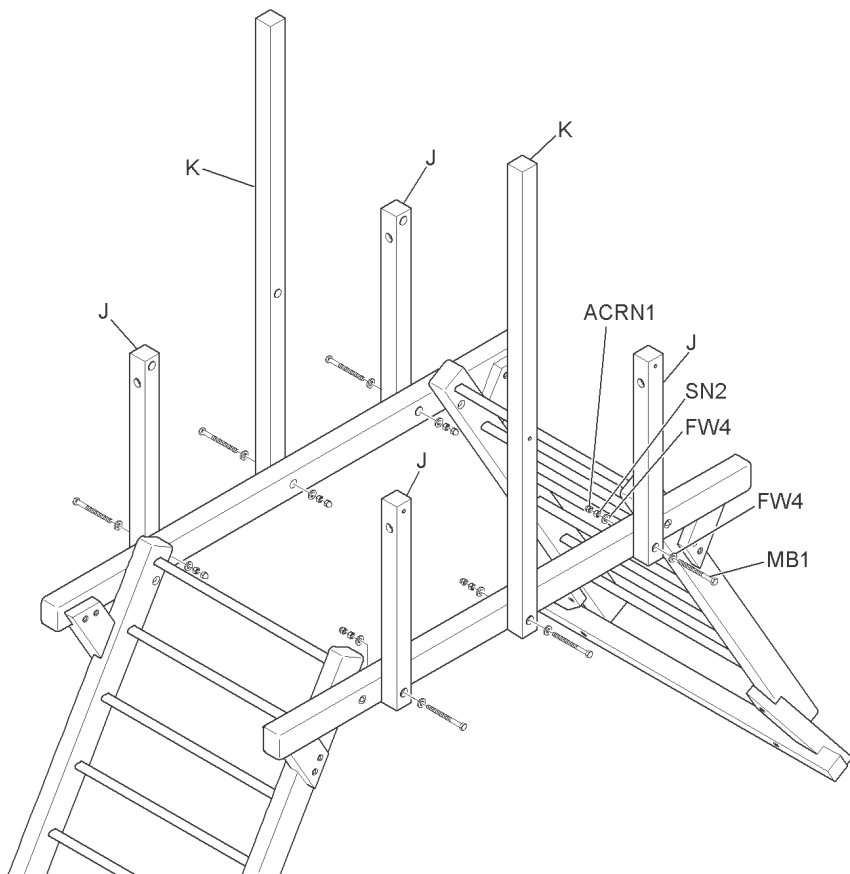
- (6) MB1 (1/2" x 6" Machine Bolt)
- (12) FW4 (1/2" Standard Flat Washer)
- (6) SN2 (1/2"-13 Lock Nut)
- (6) ACRN1 (1/2"-13 Acorn Nut)

NOTE: Check level of assembly now and periodically throughout the construction.

NOTE: It may be necessary to remove some soil from beneath the Ladder Assemblies to level the unit.

1. Assemble parts **J** Corner Posts and parts **K** Vertical Roof Supports to parts **F** Deck Supports using **MB1** machine bolts, **FW4** standard flat washers, **SN2** lock nuts, and **ACRN1** acorn nuts.

NOTE: Notice the hole orientation in counter sunk holes in parts **J** Corner Posts.



STEP 5: ASSEMBLE PARTS L

5

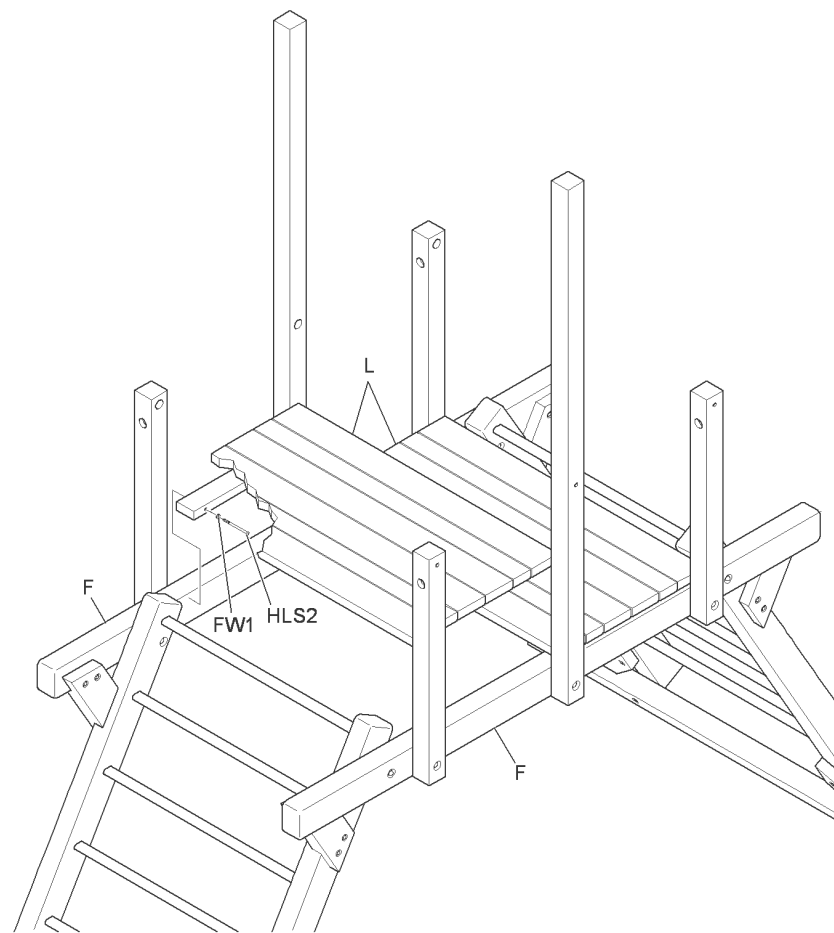
PARTS NEEDED:

- (2) L (Deck Panels)

HARDWARE NEEDED:

- (8) HLS2 (1/4 x 4-1/2" Lag Screws)
- (8) FW1 (1/4" Standard Flat Washers)

1. Place parts **L** Deck Panels on top of parts **F** Deck Supports and assemble using **HLS2** lag screws and **FW1** standard flat washers.
2. Tighten all Hardware up to this point.



STEP 6: ASSEMBLE PARTS M

6

PARTS NEEDED:

(2) M (4" x 4" Horizontal Roof Support)

HARDWARE NEEDED:

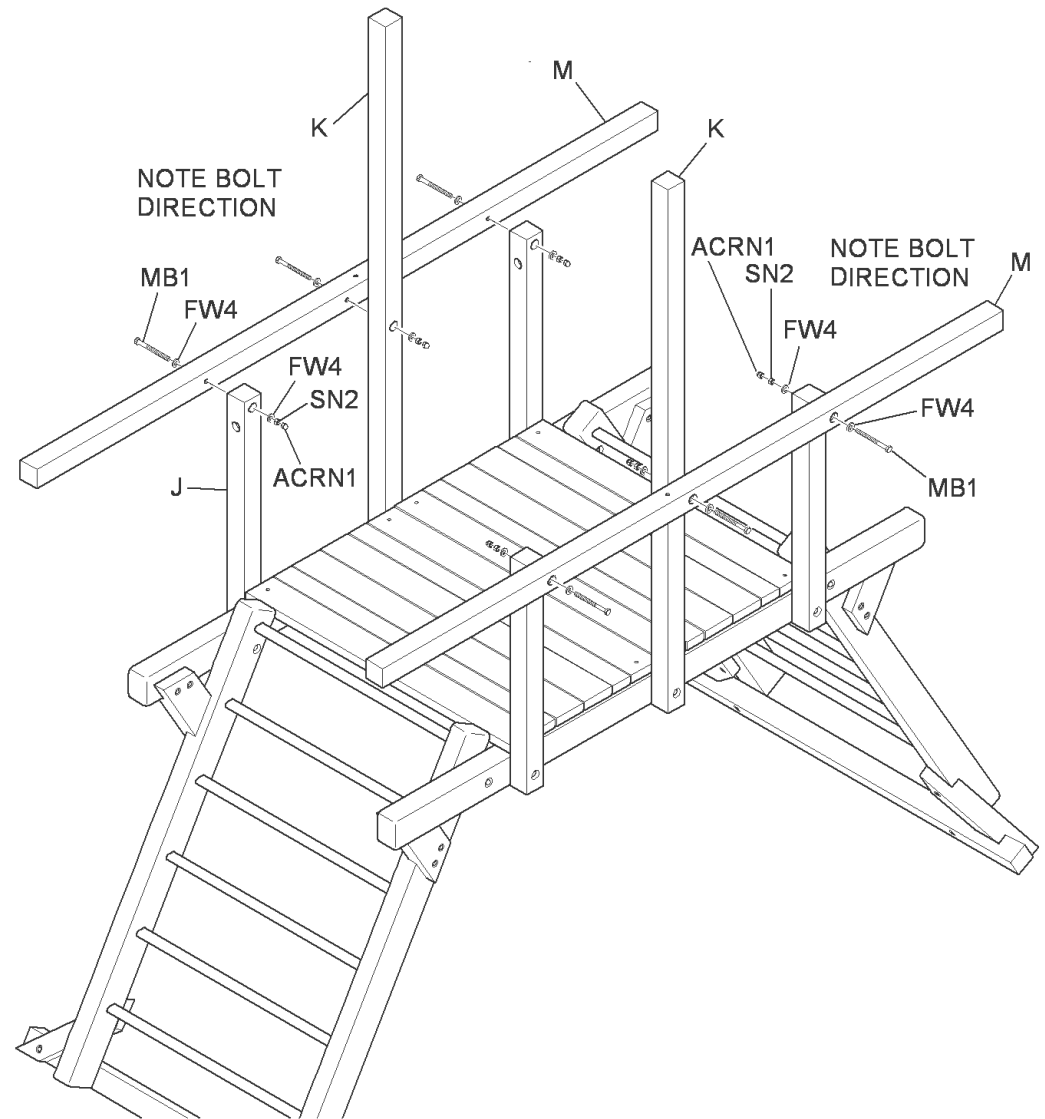
(6) MB1 (1/2 x 6" Machine Bolt)

(12) FW4 (1/2 Standard Flat Washer)

(6) SN2 (1/2 Lock Nut)

(6) ACRN1 (1/2-13 Acorn Nut)

1. Assemble parts **M** 4" x 4" Horizontal Roof Supports to parts **J** Corner Posts and parts **K** Vertical Roof Supports using **MB1** machine bolts, **FW4** standard flat washers, **SN2** lock nuts, **ACRN1** acorn nuts.



STEP 7: ASSEMBLE PARTS N, P, C, & D

7

PARTS NEEDED:

- (1) N (Rope Ladder Accessory Arm)
- (1) P (Single Accessory Arm)
- (1) C (Right 45° Brace)
- (1) D (Left 45° Brace)

HARDWARE NEEDED:

- (4) MB1 (1/2 x 6" Machine Bolt)
- (8) FW4 (1/2 Standard Flat Washer)
- (4) SN2 (1/2-13 Lock Nut)
- (4) ACRN1 (1/2-13 Acorn Nut)
- (4) HLS4 (3/8" x 4" Lag Screw)
- (4) HLS5 (3/8" x 5-1/2" Lag Screw)
- (8) FW2 (3/8" Standard Flat Washer)

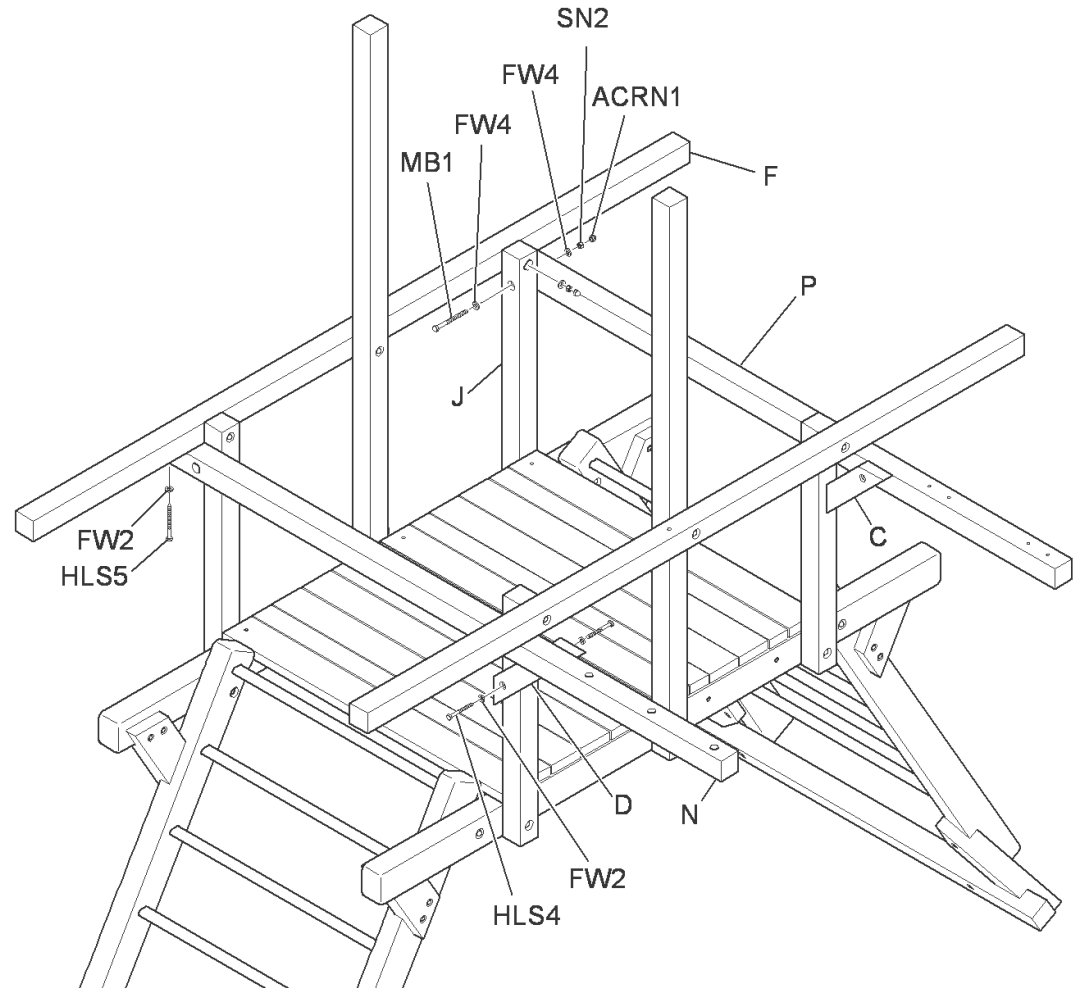
1. Assemble part **N** Rope Ladder Accessory Arm to part **J** Corner Post on the same side as the part **E** Rope Ladder Base Support using **MB1** machine bolts, **FW4** standard flat washers, **SN2** lock nuts, **ACRN1** acorn nuts and from the bottom, use **HLS5** lag screws and **FW2** standard flat washers.

NOTE: If your system does not have a part **E** Rope Ladder Base Support, assemble a Safety Rail in its place using the same Hardware.

2. Assemble part **P** Single Accessory Arm to parts **J** Corner Posts using **MB1** machine bolts, **FW4** standard flat washers, **SN2** lock nuts, and **ACRN1** acorn nuts and from the bottom, use **HLS5** lag screws and **FW2** standard flat washers.

NOTE: If your system has something other than the part **P** Single Accessory Arm, assemble using the instructions supplied with the other option.

3. Assemble parts **C** and **D** 45° Braces to parts **J** Corner Posts and part **N** Rope Ladder Accessory Arm or part **P** Single Accessory Arm using **HLS4** lag screws and **FW2** standard flat washers.



STEP 8: ASSEMBLE PARTS C, D, & R

8

PARTS NEEDED:

- (2) C (Right 45° Brace)
- (2) D (Left 45° Brace)
- (3) R (Side Panel as needed)

HARDWARE NEEDED:

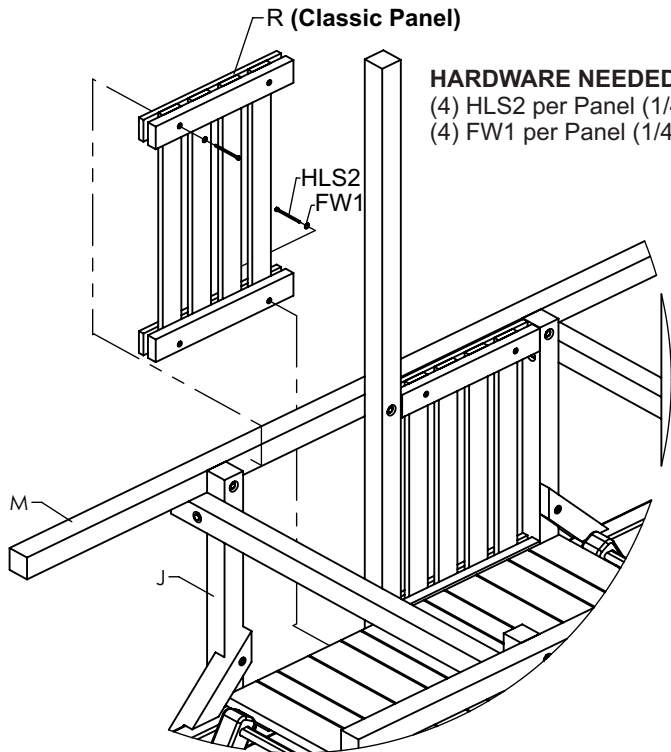
- (8) HLS4 (3/8" x 4" Lag Screw)
- (8) FW2 (3/8" Standard Flat Washer)

1. Assemble parts **C** Right 45° Brace and parts **D** Left 45° Brace up against part **J** Corner Posts and part **F** Deck Supports using **HLS4** lag screws and **FW2** standard flat washers.
2. Assemble parts **R** Side Panels in all openings that will not have an activity using hardware shown.

NOTE: There should be no gaps between mating surfaces of parts **C** and **D** 45° Braces, part **J** Corner Posts, or part **F** Deck Supports.

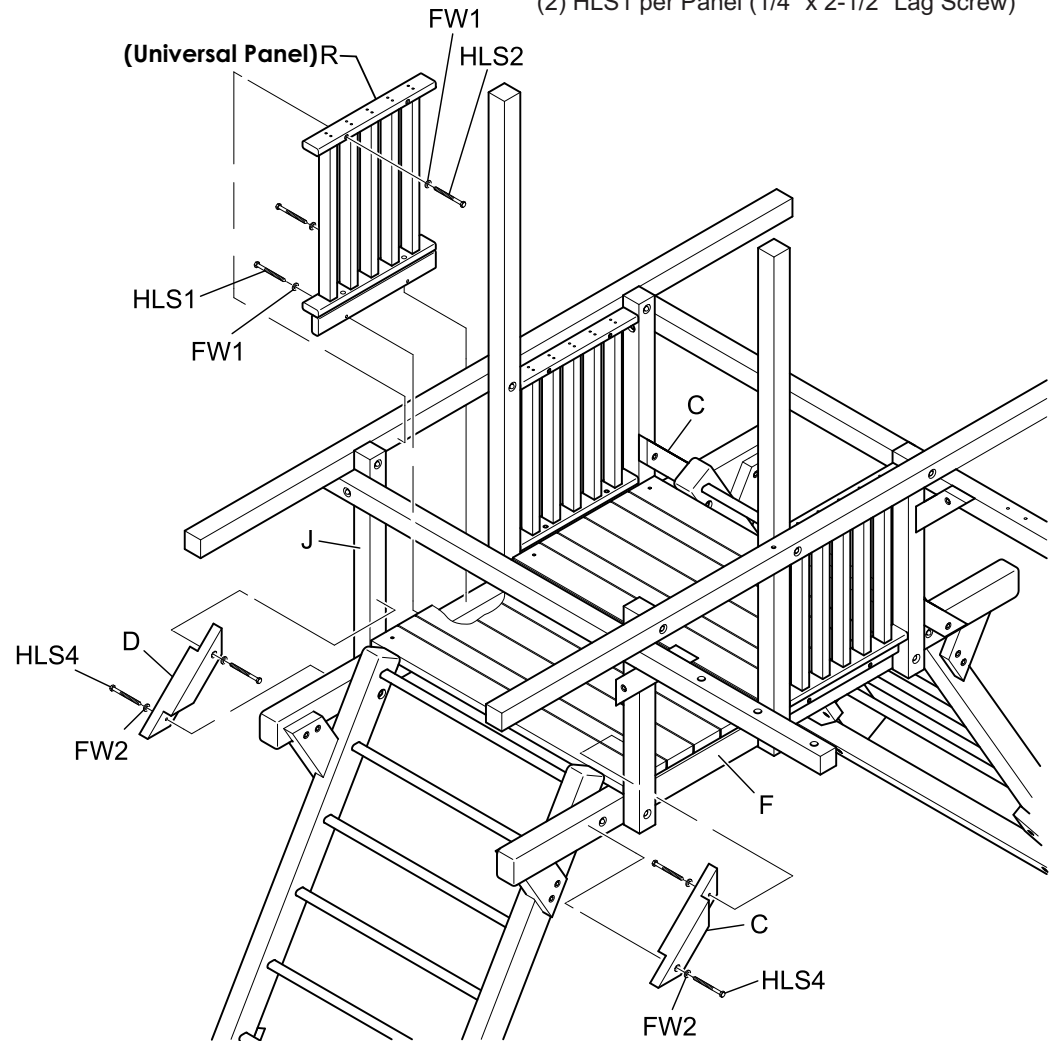
HARDWARE NEEDED:

- (2) HLS2 per Panel (1/4" x 4-1/2" Lag Screw)
- (4) FW1 per Panel (1/4" Standard Flat Washer)
- (2) HLS1 per Panel (1/4" x 2-1/2" Lag Screw)



HARDWARE NEEDED:

- (4) HLS2 per Panel (1/4" x 4-1/2" Lag Screw)
- (4) FW1 per Panel (1/4" Standard Flat Washer)



STEP 9: ASSEMBLE PARTS S & T

9

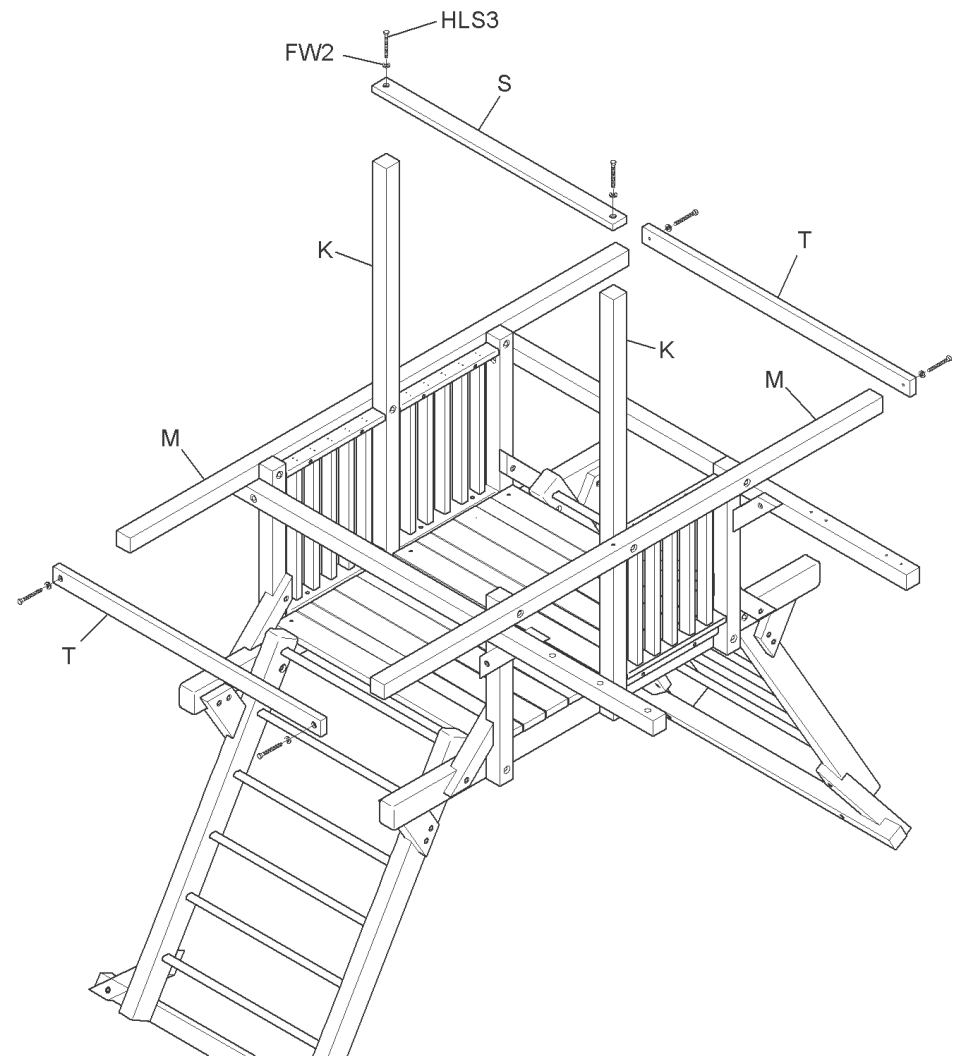
PARTS NEEDED:

- (1) S (Top Roof Support)
- (2) T (2" x 4" Horizontal Roof Support)

HARDWARE NEEDED:

- (6) HLS3 (3/8 x 3" Lag Screw)
- (6) FW2 (3/8" Standard Flat Washer)

1. Attach part **S** Top Roof Support to the top of the part **K** Vertical Roof Supports using **HLS3** lag screws and **FW2** standard flat washers.
2. Attach part **T** 2" x 4" Horizontal Roof Supports to the ends of the part **M** 4" x 4" Horizontal Roof Supports using **HLS3** lag screws and **FW2** standard flat washers.



STEP 10: ASSEMBLE PARTS U, V, & W

10

PARTS NEEDED:

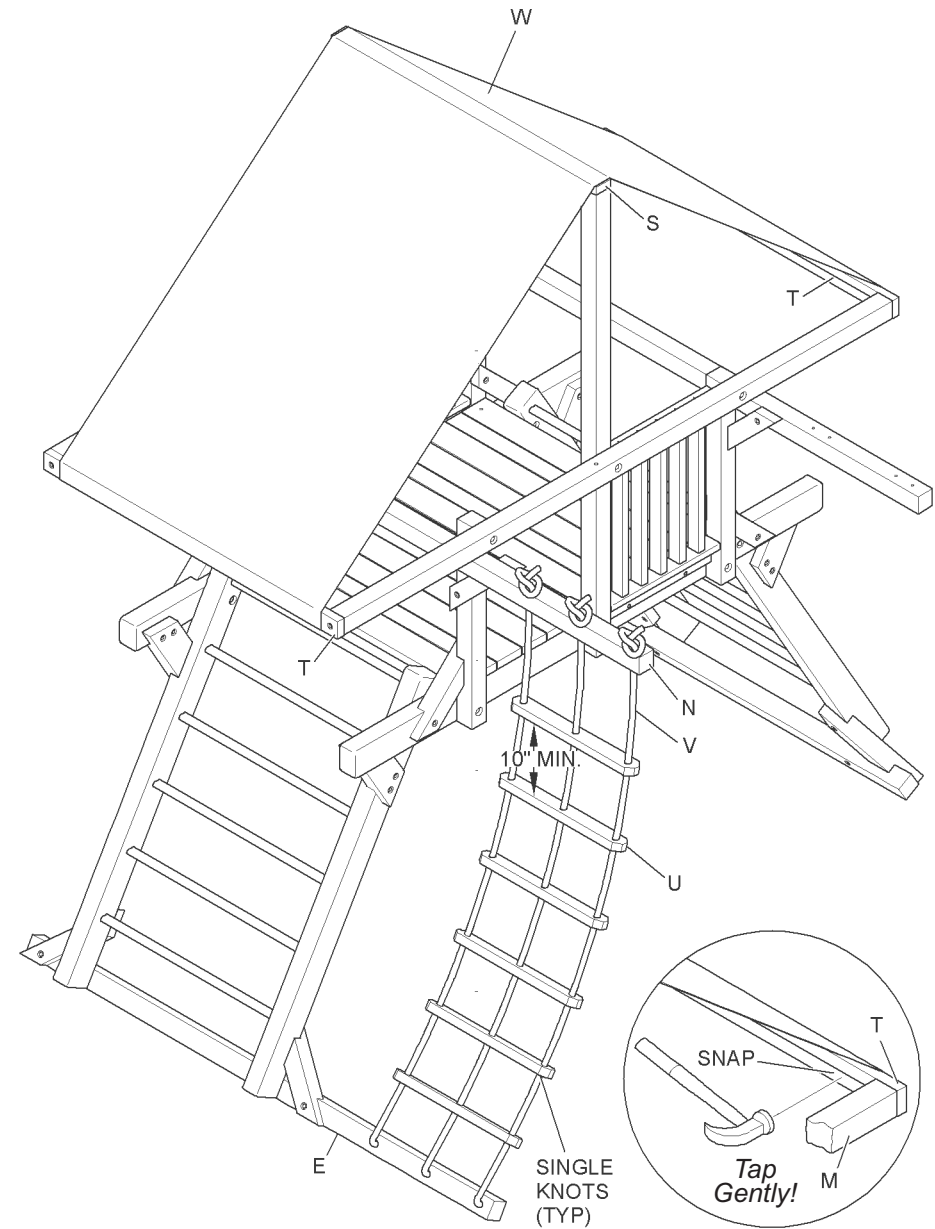
- (6) U (Ladder Rung)
- (3 pcs.) V (Rope)
- (1) W (Vinyl Roof)

HARDWARE NEEDED:

- Button Snaps (Enclosed in bag with Vinyl Roof)

1. Lace part **V** Ropes through part **N** Rope Ladder Accessory Arm and tie a double knot in the end of the ropes.
2. Assemble Rope Ladder with single knots with at least 10" spacing between each part **U** Ladder Rung.
3. Pull ropes through part **E** Rope Ladder Base Support, from front to back, and tie double knots.
4. Center part **W** Vinyl Roof over part **S** Top Roof Support with the snaps facing down.
5. Wrap one end of the part **W** Vinyl Roof around to the inside of the part **T** 2" x 4" Horizontal Roof Support and center it on the Support.
6. Tap the snaps gently with a hammer to leave an indentation in the part **T** 2" x 4" Horizontal Roof Support (as shown in the Roof Snap Inset).
7. Install a Roof Snap and Screw in the center of each of the indentations.
8. Snap this end of the part **W** Vinyl Roof to the inside of the part **T** 2" X 4" Horizontal Roof Support.
9. Stretch the opposite end of the part **W** Vinyl Roof over the part **S** Top Roof Support to the opposite part **T** 2" x 4" Horizontal Roof Support and repeat #5,

NOTE: Roof Snap and Screws are rolled up in the part **W** Vinyl Roof.

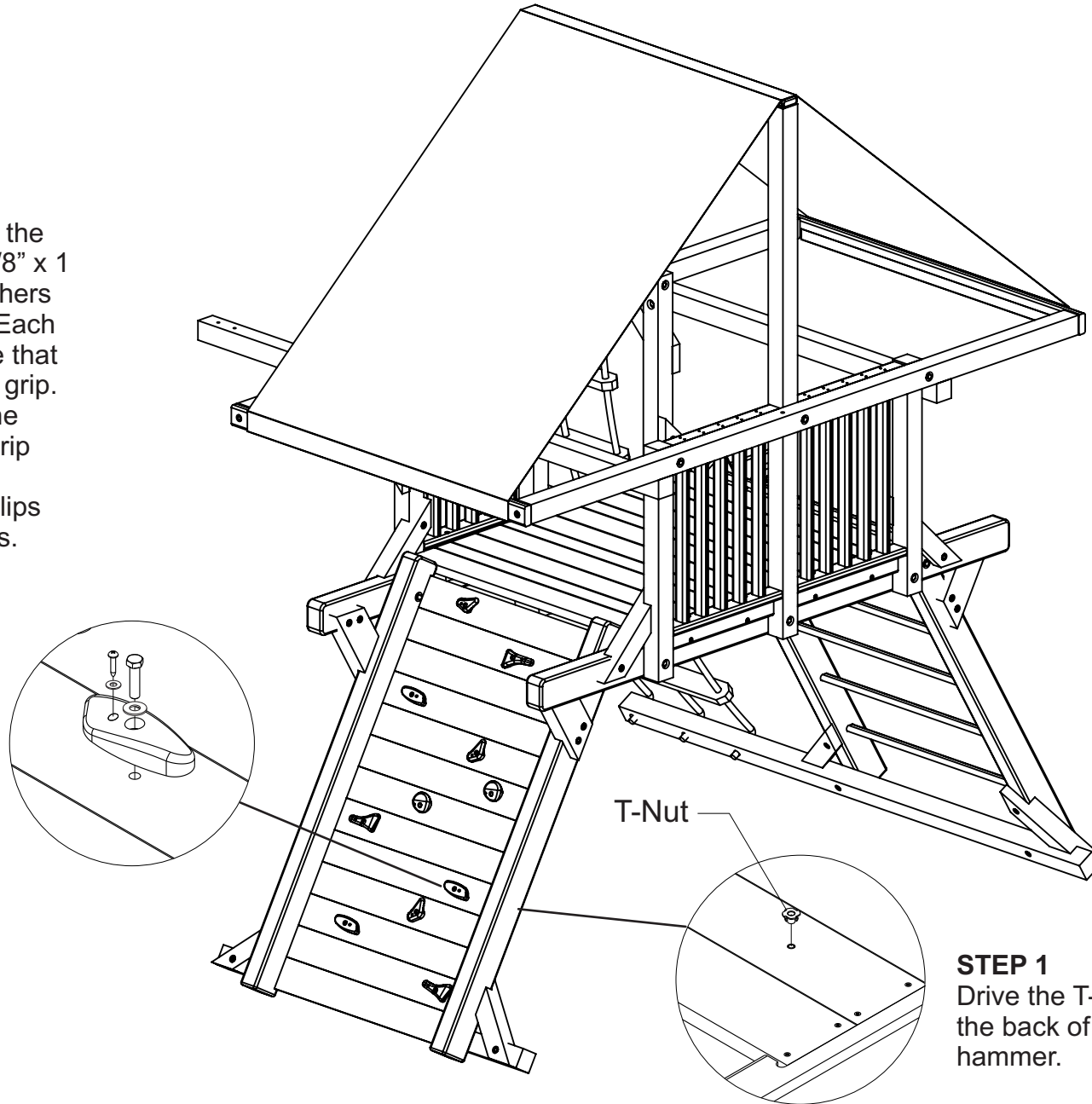


CLIMBING WALL ASSEMBLY INSTRUCTIONS

If Climbing Wall Ladder option was chosen follow these steps to attach rocks.

STEP 2

Bolt the climbing rocks to the wall face by inserting a 3/8" x 1 1/2" machine bolt and washers and securing to a T-Nut. Each rock is formed with a face that will naturally form a hand grip. Adjust the alignment of the rocks so the face of the grip points upward and finish tightening with 1 1/2" Phillips head screws and washers.



STEP 1

Drive the T-nuts into holes on the back of the Wall using a hammer.

Consumer Information Sheet for Playground Surfacing Materials¹

The U.S. Consumer Product Safety Commission (CPSC) estimates that about 100,000 playground equipment-related injuries resulting from falls to the ground surface are treated annually in the U.S. hospital emergency rooms. Injuries involving this hazard pattern tend to be among the most serious of all playground injuries, and have the potential to be fatal, particularly when the injury is to the head.

The surface under and around playground equipment can be a major factor in determining the injury-causing potential of a fall. It is self evident that a fall onto a shock absorbing surface is less likely to cause a serious injury than a fall onto a hard surface. Playground equipment should never be placed on hard surfaces such as concrete or asphalt and while grass may appear to be acceptable it may quickly turn to hard packed earth in areas of high traffic. Shredded bark mulch, wood chips, fine sand or fine gravel are considered to be acceptable shock absorbing surfaces when installed and maintained at a sufficient depth under and around playground equipment.

The following table lists the maximum height from which a child would not be expected to sustain a life-threatening head injury in a fall onto four different loose-fill surfacing materials if they are installed and

maintained at depths of 6", 9", and 12". However, it should be recognized that all injuries due to falls cannot be prevented no matter what surfacing material is used.

It is recommended that a shock absorbing material should extend a minimum of 6' in all directions from the perimeter of stationary equipment such as climbers and slides. However, because children may deliberately jump from a moving swing, the shock absorbing material should extend in the front and rear of a swing a minimum distance of 2 times the height of the pivot point measured from a point directly beneath the pivot point supporting structure.

This information is intended to assist in comparing the relative shock-absorbing properties of various materials. No particular material is recommended over another. However, each material is only effective when properly maintained. Materials should be checked periodically and replenished to maintain correct depth as determined necessary for your equipment. The choice of a material depends on the type and height of the playground equipment, the availability of the material in your area, and its cost.

FALL HEIGHT IN FEET FROM WHICH A LIFE THREATENING HEAD INJURY WOULD NOT BE EXPECTED

TYPE OF MATERIAL	6" DEPTH	9" DEPTH	12" DEPTH
Double Shredded Bark Mulch	6'	10'	11'
Wood Chips	6'	7'	12'
Fine Sand	5'	5'	9'
Fine Gravel	6'	7'	10'

¹This information has been extracted from the CPSC publications "Playground Surfacing—Technical Information Guide" and "Handbook for Public Playground Safety." Copies of these reports can be obtained by sending a postcard to the Office of Public Affairs, U.S. Consumer Product Safety Commission, Washington, D.C. 20207. Or call the toll-free hotline: 1-800-638-2772.



No Kidding Guarantee

30-Day Unconditional Warranty. If, at any time during the first 30 days after the date of delivery, you are not completely satisfied with your Woodplay product, you may return the product (freight prepaid by customer) in its original condition to us for a similar replacement or a full refund of the purchase price, excluding installation expense.

2-Year Warranty on all above-ground Woodplay playset components manufactured by Woodplay suppliers. Woodplay will repair or replace, at our option, any Woodplay above-ground playset component which fails within two years after the date of delivery as a result of a defect in materials or workmanship.

Limited Lifetime Warranty on all above-ground Woodplay wooden playset components, swing hangers, swing chains, metal braces, metal rungs, and our exclusive Super Slide. Woodplay warrants to the original retail customer that we will replace any above-ground Woodplay wooden playset component suffering structural failure due to warping, rotting, or insect damage (excluding carpenter bees). This warranty does not cover knots in the wood, surface cracking or seasonal checking of components. Knots, surface cracking and seasonal checks are a natural characteristic of all wood, including redwood, and will not affect the integrity of your playset. Woodplay warrants to the original retail customer that we will replace any swing hangers, swing chains, metal braces or metal rungs that fail due to rust or breakage (excludes surface rust). This limited lifetime warranty also applies to our exclusive Super Slide. This warranty is expressly in lieu of all other warranties, expressed or implied, including warranties of merchantability or fitness for use. Woodplay does not assume, or authorize any person or representative to assume for us, any other liability in connection with the sale of our products. These warranties exclude any incidental or consequential damages which may arise from the purchase or use of our equipment. Some states do not allow the exclusion or limitation of consequential damage, so the above limitation or exclusion may not apply to you. This warranty program applies only to the original owner and is limited to residential and noncommercial use of the products. Customer must register the playset purchase at www.woodplay.com to be eligible for warranty. A copy of the original invoice must accompany all warranty claims. Freight and labor charges are not included. This warranty program does not cover normal wear and tear, or damages resulting from misuse, abuse, vandalism, alteration, acts of God, or assembly and maintenance contrary to our instructions. Woodplay reserves the right to examine photographs and/or the component itself—shipped freight prepaid by the customer—prior to potential replacement. Questions about this warranty should be addressed to the Customer Service Department at 817 Maxwell Ave., Evansville, IN 47711, or call 1-800-WOODPLAY

Special Note: Woodplay reserves the right to make changes in materials, design, and pricing without notice. See your instruction manual for maintenance requirements. Your child's safety is your responsibility; therefore, you should inspect this equipment regularly for wear and safety.