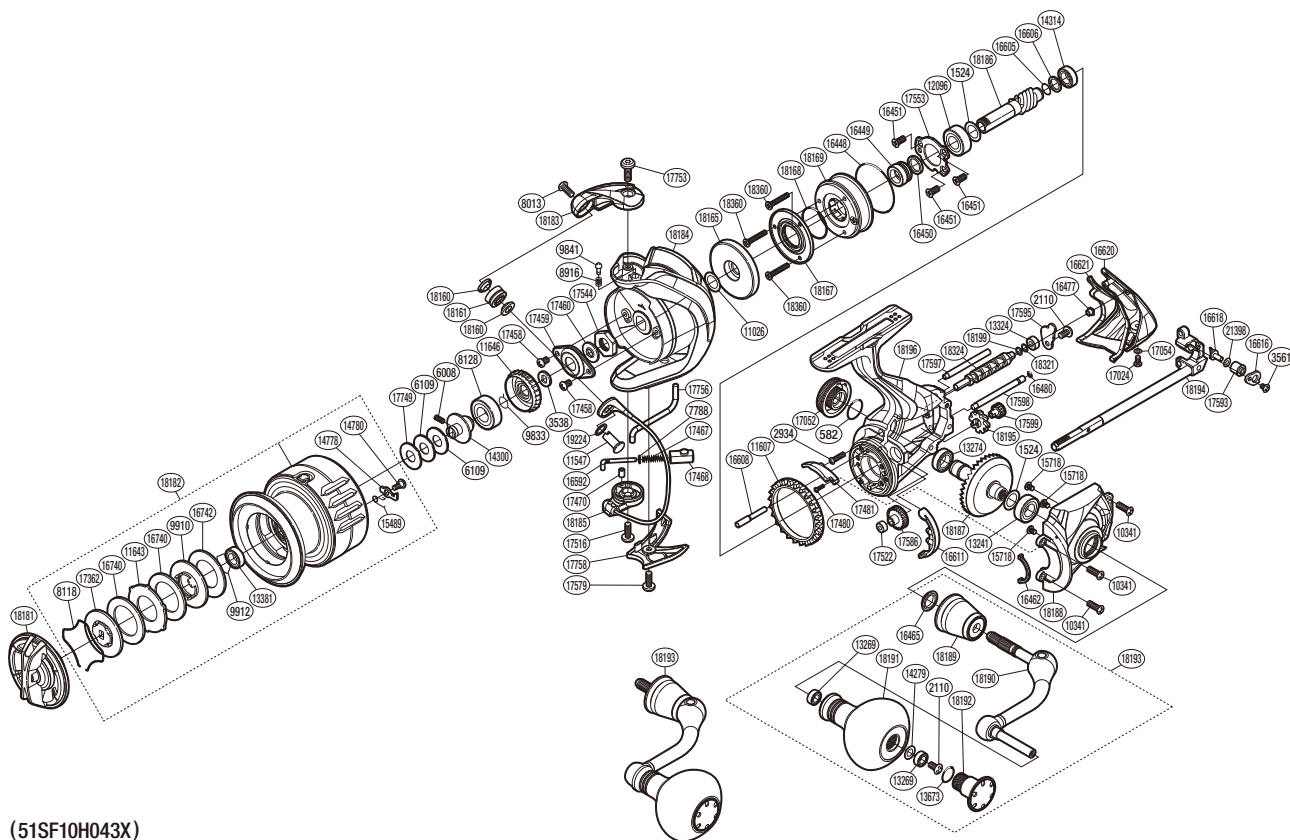


# SHIMANO

## TWIN POWER

## TPXD-4000XG



(51SF10H043X)

#	Part No.	Description	#	Part No.	Description	#	Part No.	Description
582	108WH	O Ring	16448	10MLT	O Ring	17593	10JXV	Oscillating Slider Bushing
1524	10JDC	Washer	16449	107S5	Roller Clutch Inner	17595	10ATE	Worm Shaft Retainer
2110	103E9	Screw	16450	10H4G	Roller Clutch Inner Spacer	17597	1035T	Oscillating Guide A
2934	10LPQ	Screw	16451	10ML6	Screw	17598	104MG	Oscillating Guide B
3538	103NX	Spool Support	16462	10CBC	Flange Water Proof	17599	106VU	Idle Gear B S
3561	10MT4	Screw	16465	10PXU	Handle Shaft Seal	17753	10TNC	Screw
6008	10PN2	Set Screw	16477	10AYN	Rear Protector Collar	17756	10TRF	Bail Trip Lever
6109	10BSJ	Spool Washer	16480	10JAB	O Ring	17758	10TPK	Bail Hold Support Guard
7788	1064R	Spring Guide A Support	16592	105YZ	Bail Spring Guide A	18160	1020L	Bearing Spacer
8013	10K40	Screw	16605	108W6	O Ring	18161	101KE	Line Roller(With Bearing)
8118	10B8A	Drag Washers Retainer	16606	10J6G	Pinion Gear Spacer	18165	10SYA	Rotor Ring
8128	10KXC	Ball Bearing	16608	10CLB	Idle Gear B Shaft	18167	10SYJ	Roller Clutch Reinforce
8916	10CH0	Click Spring	16611	10J3P	Friction Ring Spacer	18168	10SYC	O Ring
9833	107V2	Ratchet Spring	16616	10HAH	Oscillating Pawl Cover	18169	10SYM	Roller Clutch Assembly
9841	10CHA	Click Pin	16618	106VM	Oscillating Pawl	18181	10RX6	Drag Knob
9910	10B9D	Key Washer	16620	10NL5	Rear Protector	18182	10RX4	Spool Assembly
9912	10GEW	Bearing Retainer	16621	107HK	Rear Shield	18183	10SYN	Bail Arm
10341	10M2B	Screw	16740	10345	Drag Washer	18184	101LE	Rotor
11026	10JDE	Washer	16742	10C1A	Drag Washer	18185	101LF	Bail Assembly
11547	10L01	Line Roller Support	17024	10PRY	Screw	18186	10SYH	Pinion Gear
11607	104FU	Friction Ring	17052	10N4J	Handle Screw Cap	18187	10TSM	Drive Gear
11643	10BE7	Eared Washer	17054	10HVD	Washer	18188	10TSR	Side Cover
11646	107PS	Drag Click Ratchet	17362	10Q6T	Key Washer	18189	10TSS	Handle Shaft Cover
12096	104Q6	Ball Bearing	17458	10PMD	Screw	18190	10TST	Handle Shank Assembly
13241	104JD	Ball Bearing	17459	10R2K	Rotor Nut Lock Plate	18191	10DH7	Handle Knob
13269	104VX	Ball Bearing	17460	107L5	Bearing Water Proof	18192	10SYB	Handle Knob Seal
13274	104PP	Ball Bearing	17467	10R2P	Bail Spring	18193	10RX5	Handle Assembly
13324	106CM	Worm Bushing	17468	10R2E	Bail Spring Seat	18194	10TSQ	Main Shaft Assembly
13381	104JT	Ball Bearing	17470	10R2F	Bail Spring Guide A Bush	18195	10SYD	Idle Gear B L
13673	10LAA	O Ring	17480	10R1M	Screw	18196	10TSN	Body
14279	10G8G	Washer	17481	10R31	Bail Trip Strike	18199	10ECK	Washer
14300	10LTS	Bearing Bushing	17516	10PS4	Screw	21398	10RKQ	Washer
14314	104JU	Ball Bearing	17522	106M8	Worm Bushing (Front)	17749	10BSG	Spool Washer
14778	10388	Drag Click	17544	1067X	Rotor Nut	18321	10GHF	Washer
14780	10A6F	Screw	17553	10594	Bearing Retainer	18324	10ECM	Worm Shaft
15489	10BQE	Drag Click Spring	17579	10PS9	Screw	18360	10SOC	Screw
15718	1055G	Screw	17586	10HEV	Idle Gear	19224	1002S	Washer

Please note that the number of adjusting washers may not be the same as shown in the exploded views.  
(Adjustment will vary with each individual product.)

(241225)\_011