

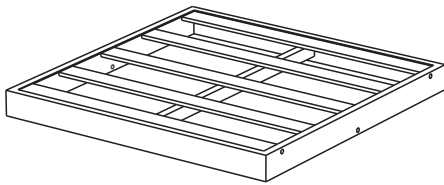
**IMPORTANT**

Carefully remove all the parts from the carton and place them individually on a soft cloth to prevent scratches or other damage.

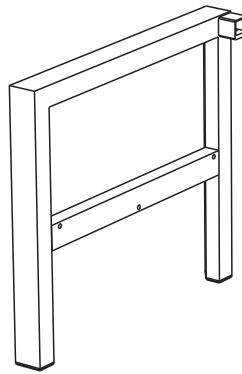
Carefully and strictly follow these assembly instructions to ensure a completed product as designed.

This product is made of aluminum. Do not use power tools above 8 volts to assemble and only tighten bolts until snug. Over tightening can damage the aluminum.

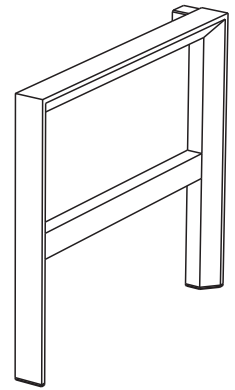
**Part List**



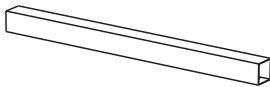
**A.**  
Seat  
1 pc.



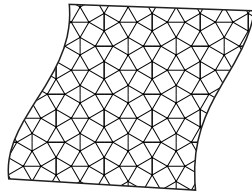
**B.**  
Side  
1 pc.



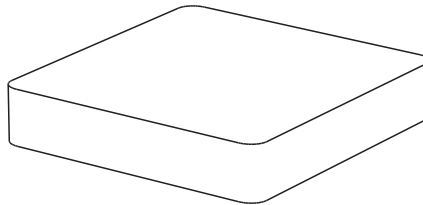
**C.**  
Side  
1 pc.



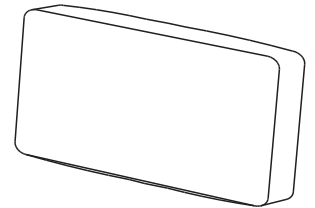
**D.**  
Rail  
1 pc.



**E.**  
Non-slip Pad  
1 pc.

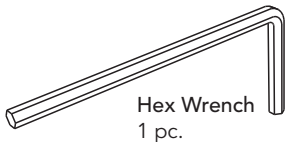


**F.**  
Seat Cushion  
1 pc.

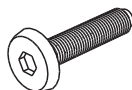


**G.**  
Back Cushion  
1 pc.

**Hardware List**



Hex Wrench  
1 pc.



M6x20  
Head Cap Bolt (short)  
4 pcs. (+1 extra)



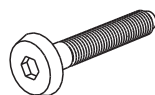
Spring Washer  
10 pcs. (+1 extra)



Cap  
10 pcs. (+1 extra)



Small  
Hex Wrench  
1 pc.



M6x35  
Head Cap Bolt  
6 pcs. (+1 extra)

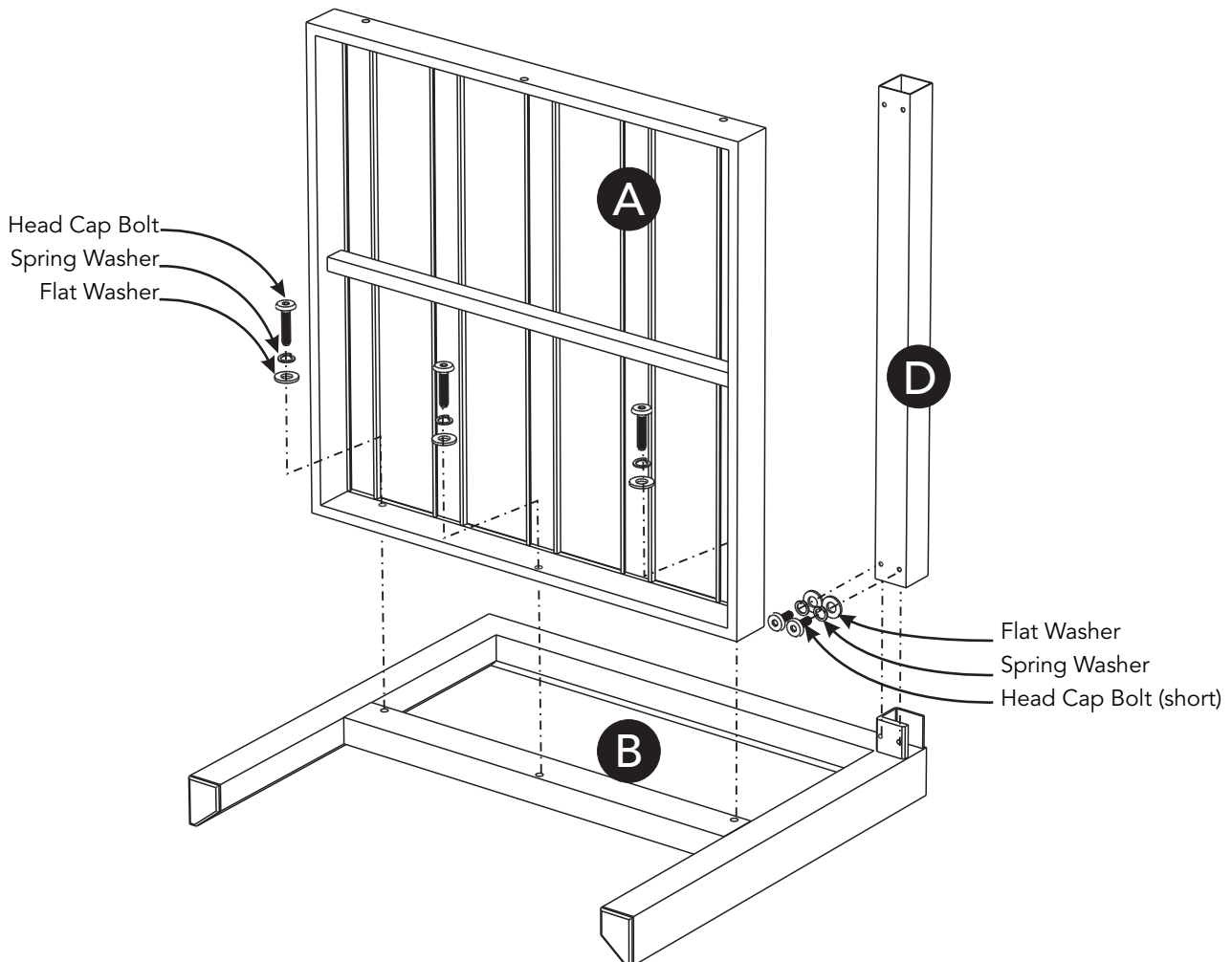


Flat Washer  
10 pcs. (+1 extra)

## Assembly Instructions 2/5

### IMPORTANT

- Use a soft cloth between these parts and the floor.
- Do not use power tools above 8 volts to assemble.
- Do not tighten all the bolts until each part is properly assembled.
- Keep Hex Wrench as the bolts may need to be tightened in the future.



### STEP 1

Attach Rail (D) to Side (B) with Head Cap Bolts (short), Spring Washers and Flat Washers, tightening bolts only halfway. (See Figure 1)

Attach Seat (A) to unit with Head Cap Bolts, Spring Washers and Flat Washers, tightening bolts only halfway.

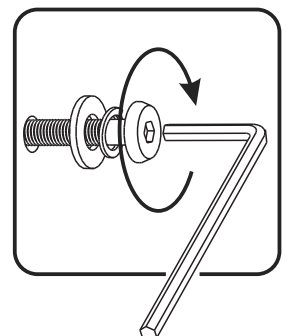
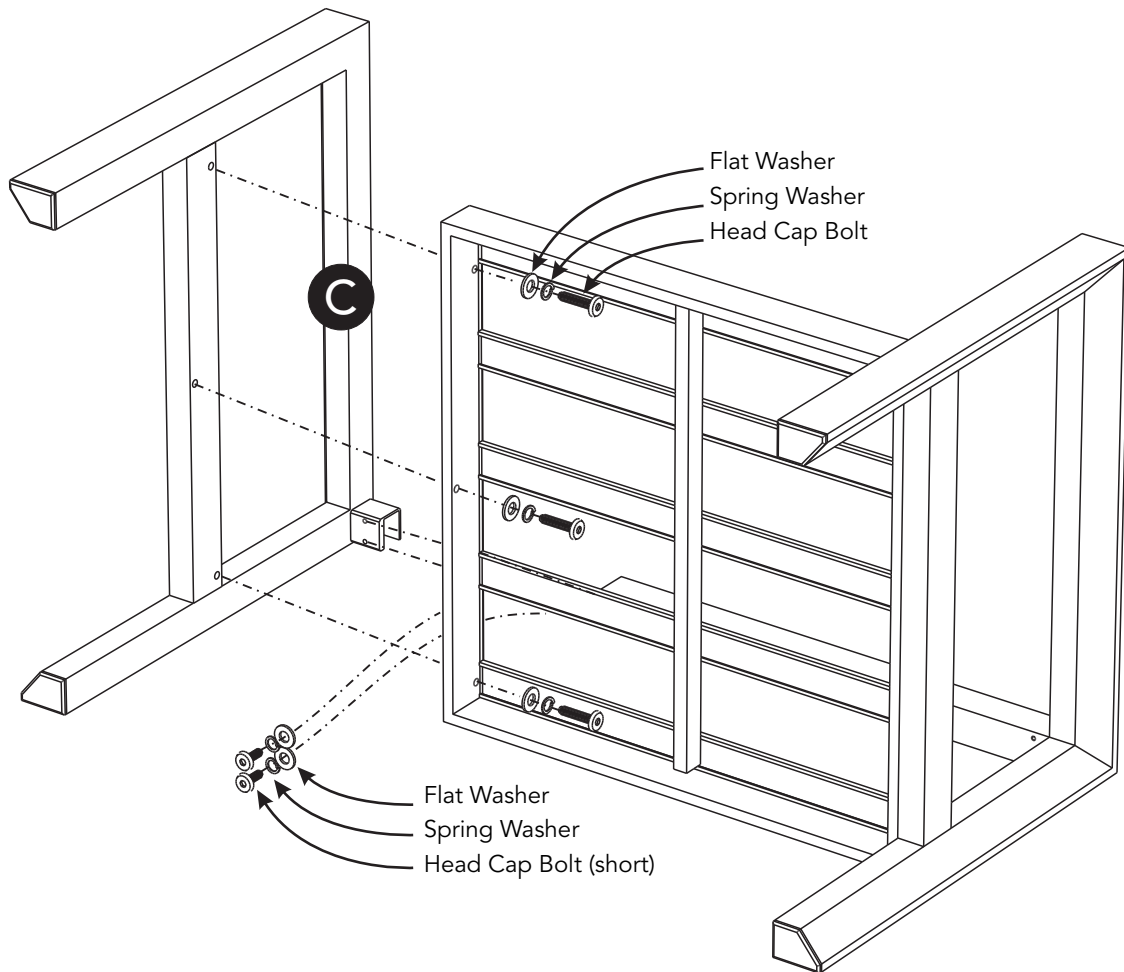


Figure 1

## Assembly Instructions 3/5



### STEP 2

Attach Side (C) to unit with Head Cap Bolts, Head Cap Bolts (short), Spring Washers and Flat Washers, tightening bolts only halfway.

Tighten all bolts used in Steps 1 and 2.

Cover all Head Cap Bolts with Caps. (See Figure 2)

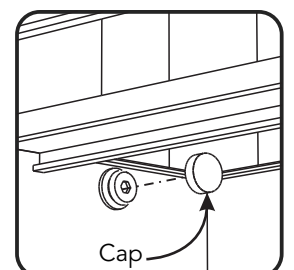
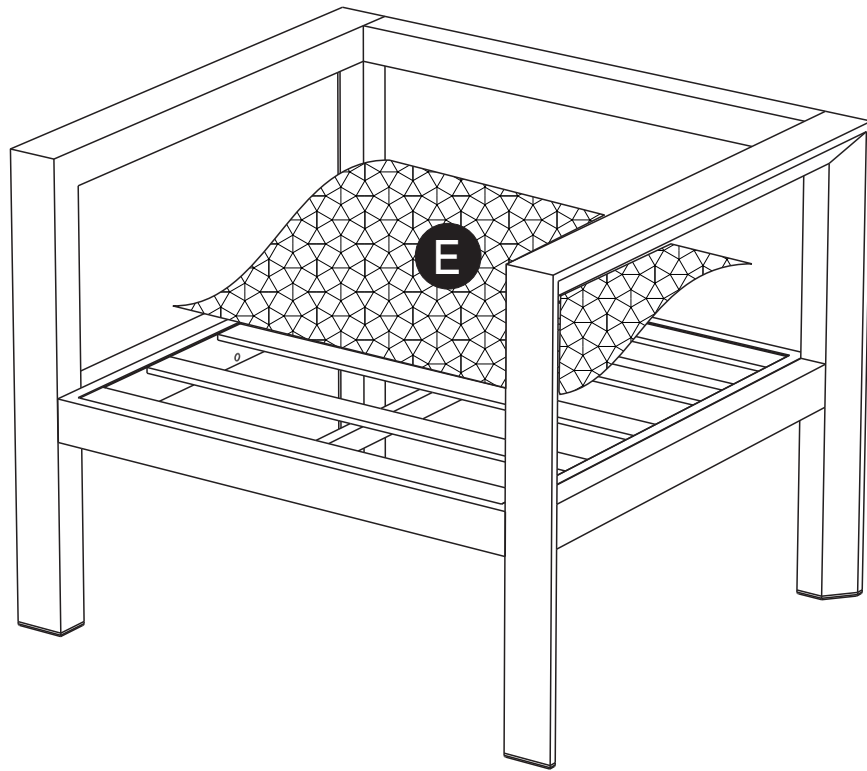


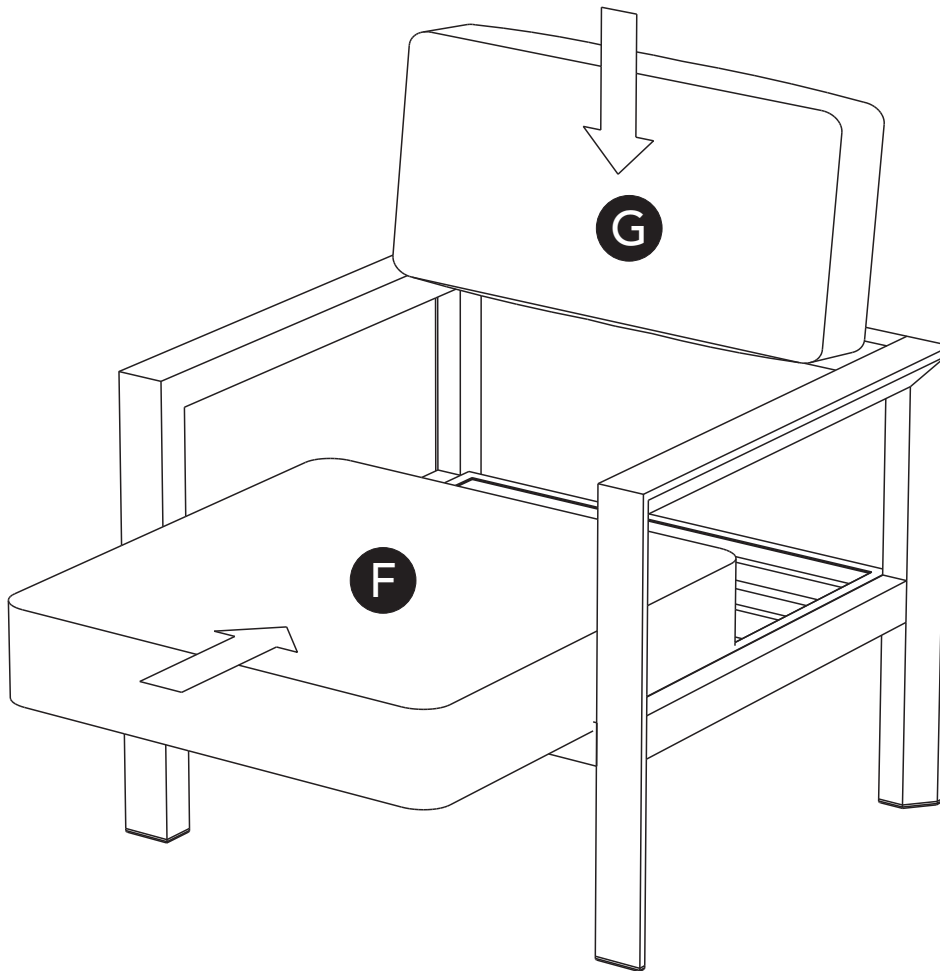
Figure 2



### STEP 3

Turn unit to its upright position.

Place Non-slip Pad (E) into position.



## STEP 4

Place Seat Cushion (F) into position.

Place Back Cushion (G) into position.

### Cushion Care Instructions

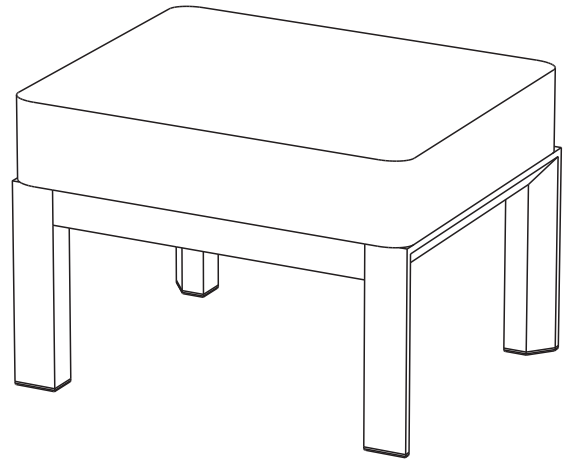
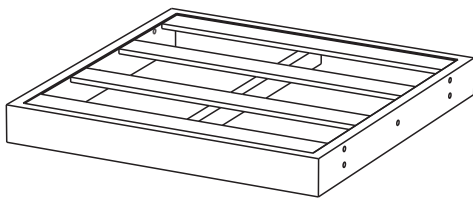
- Keep cushions free of natural debris.
- Tip and angle cushions after use.
- Store cushions inside when not in use.
- Allow a minimum of 24 hours for wet cushions to air dry.
- Never use a hairdryer on cushions.
- Never put cushions in a clothes dryer.
- Cushion covers are hand wash and air dry only.

**Ottoman****IMPORTANT**

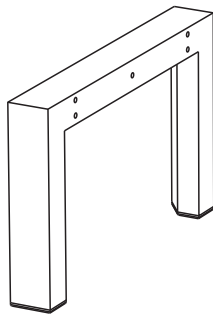
Carefully remove all the parts from the carton and place them individually on a soft cloth to prevent scratches or other damage.

Carefully and strictly follow these assembly instructions to ensure a completed product as designed.

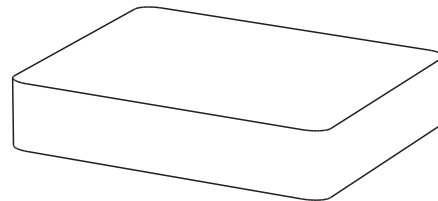
This product is made of aluminum. Do not use power tools above 8 volts to assemble and only tighten bolts until snug. Over tightening can damage the aluminum.

**Part List**

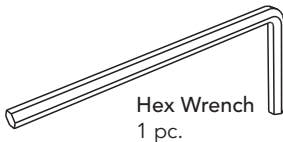
A.  
Seat  
1 pc.



B.  
Side  
2 pcs.



C.  
Cushion  
1 pc.

**Hardware List**

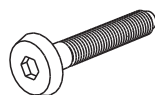
Hex Wrench  
1 pc.



Small  
Hex Wrench  
1 pc.



Spring Washer  
10 pcs. (+1 extra)



M6x35  
Head Cap Bolt  
10 pcs. (+1 extra)



Cap  
10 pcs. (+1 extra)

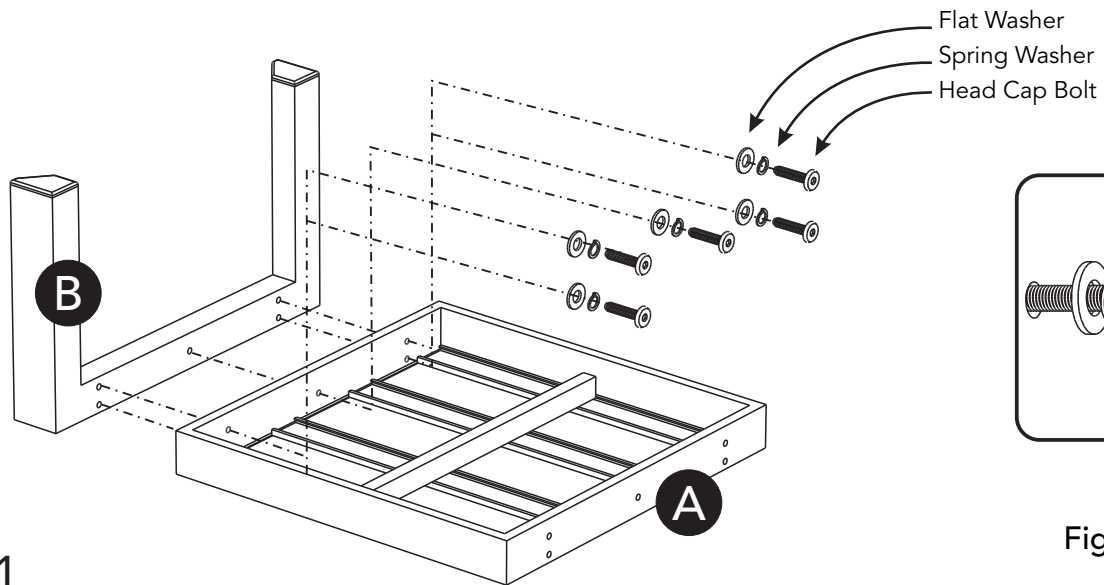


Flat Washer  
10 pcs. (+1 extra)

## Assembly Instructions 2/3

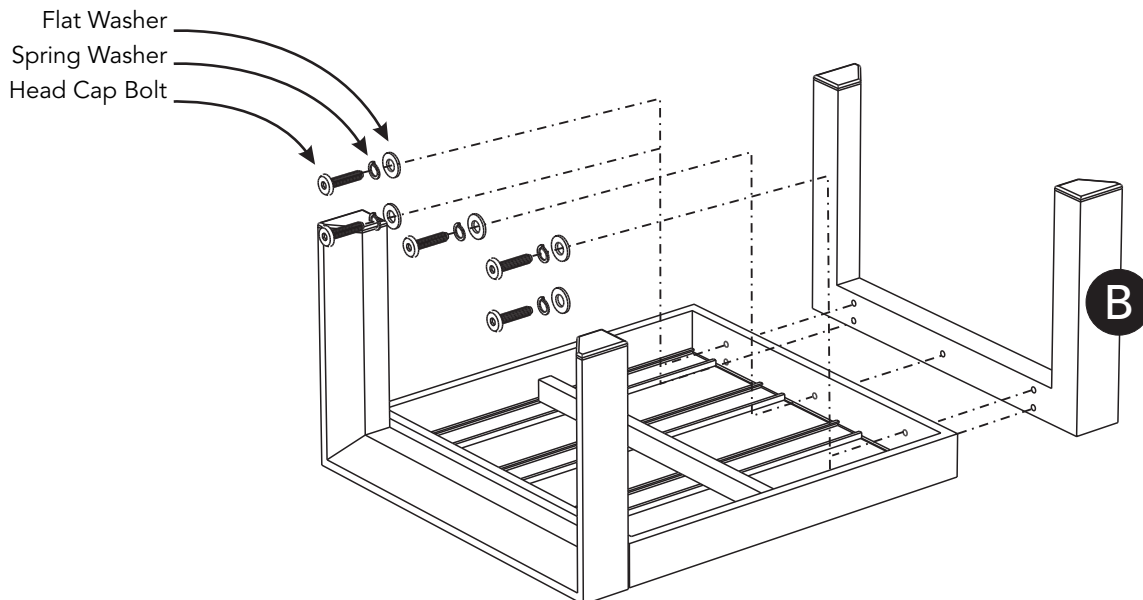
### IMPORTANT

- Use a soft cloth between these parts and the floor.
- Do not use power tools above 8 volts to assemble.
- Do not tighten all the bolts until each part is properly assembled.
- Keep Hex Wrench as the bolts may need to be tightened in the future.



### STEP 1

Attach Side (B) to Seat (A) with Head Cap Bolts, Spring Washers and Flat Washers, tightening bolts only halfway.  
(See Figure 1)



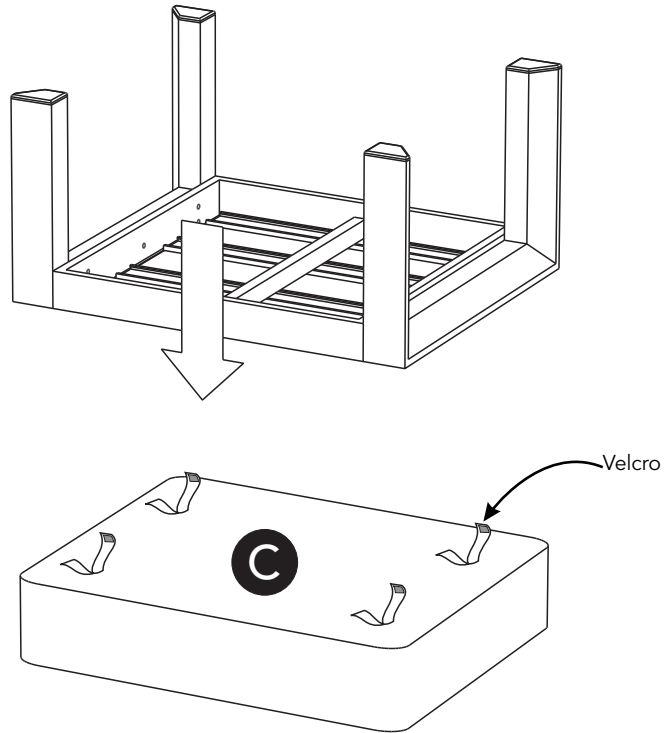
### STEP 2

Attach Side (B) to unit with Head Cap Bolts, Spring Washers and Flat Washers, tightening bolts only halfway.

Tighten all bolts used in Steps 1 and 2.

Cover all Head Cap Bolts with Caps.  
(See Figure 2)

## Assembly Instructions 3/3



### STEP 3

Turn Cushion (C) upside down.

Use velcro on Cushion (C) to attach to unit. (See Figure 3)

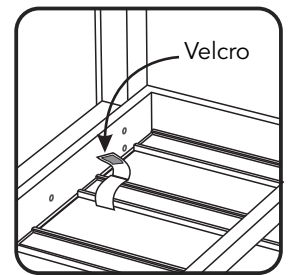
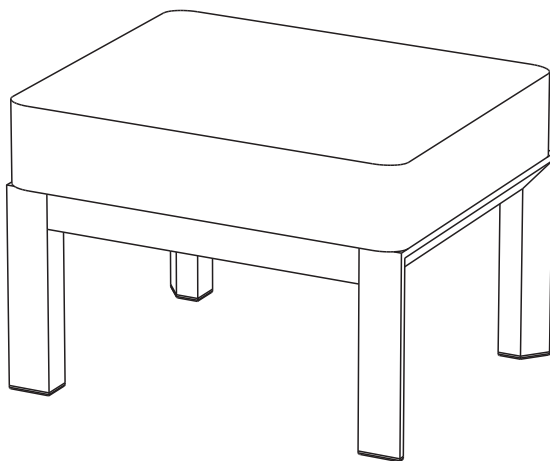


Figure 3



### STEP 4

Turn over unit to it's upright position.



# CARE INSTRUCTIONS

## NEVER

allow liquids to remain on furniture.  
Absorption causes parts to warp  
and split and finishes to delaminate.

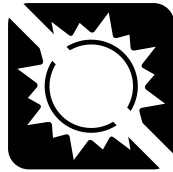
## NEVER

use glass cleaners on  
finished furniture. Ammonia  
chemically attacks the finish.



Do not use power tools  
above 8 volts to assemble.

**PREVENT  
CRACKING**



Do not place  
in direct sunlight.

**PREVENT  
FADING**



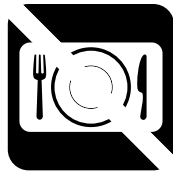
Do not write  
directly on surface.

**PREVENT  
MARKING**



Do not place hot  
objects on surface.

**PREVENT  
FINISH DAMAGE**



Do not use rubber  
based placemats.

**PREVENT  
DISCOLORING**

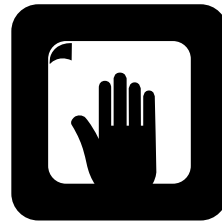


Do not use commercial  
waxes and polishes.

**PREVENT  
YELLOWING**

## CLEAN

with a soft cloth moistened  
in lukewarm soap and water.  
Buff with a dry clean cloth.



**homestyles** will provide replacements free of charge for missing or damaged parts within 2 years of purchase. Digital images of the defective parts may be required. If the product was not purchased from an authorized retailer, **homestyles** is under no obligation to provide replacement parts. Parts are not available for fully assembled items nor are parts available for sale. Replacements for missing or damaged parts may be requested via contact info below.

**homestyles** Customer Service: [www.homestylesfurniture.com](http://www.homestylesfurniture.com),  
[servicedesk@homestylesfurniture.com](mailto:servicedesk@homestylesfurniture.com), 888-680-7460