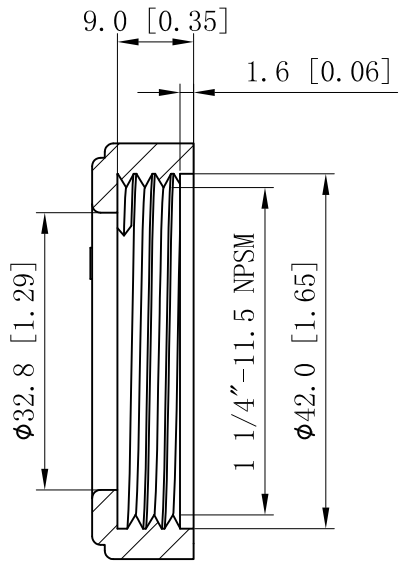
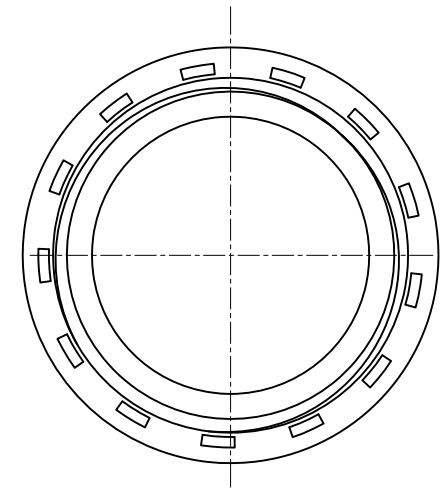
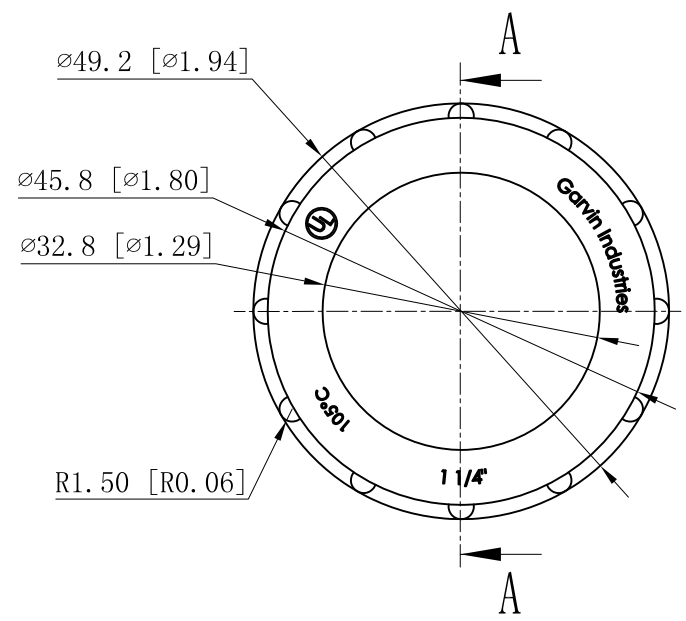
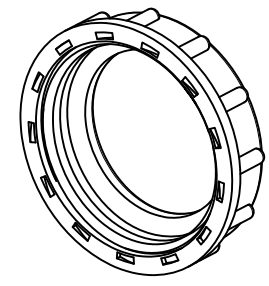
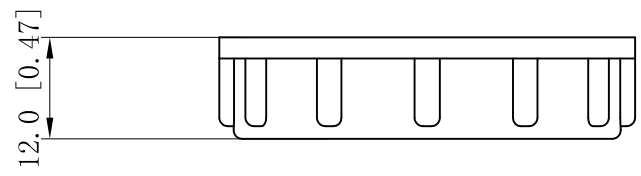


SIDES	BOTTOM
Material:UL94 V-0, PP	



CUTAWAY VIEW A-A



DESCRIPTION
TRADE REFERENCE TERMS

STANDARD PACKING
100 PCS

This data sheet is for reference only .GARVIN INDUSTRIES reserves the right to make changes to the design without prior notice.

GARVIN INDUSTRIES	
TITLE INSULATING BUSHING	
SIZE A4	DWG NO. IBT-125
DATA SHEET	
REV	