

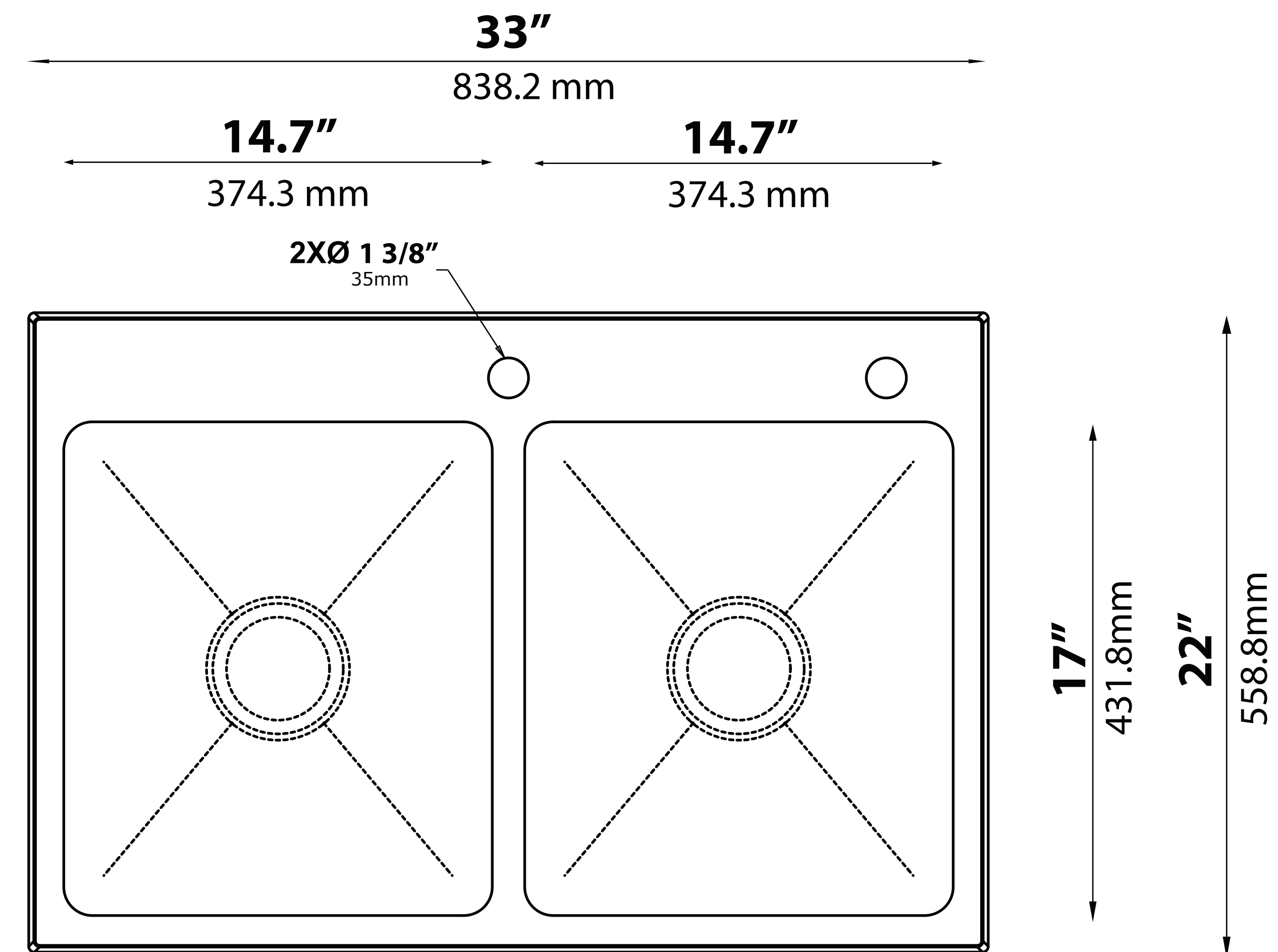
Kräus[®]

www.kraususa.com

Model No.
KHT6N2-33

Top Mount Cut-out

Pro Hotline: 516.801.8955
Customer Service: 800.775.0703



NOTES:

- 1.The "N" in the Model Number refers to the drain location.
- 2.Cutout template is provided as a guide **ONLY** and must be checked against actual sink to verify correct fit.

Kräus[®]
www.kraususa.com

**Model No.
KHT6N2-33**

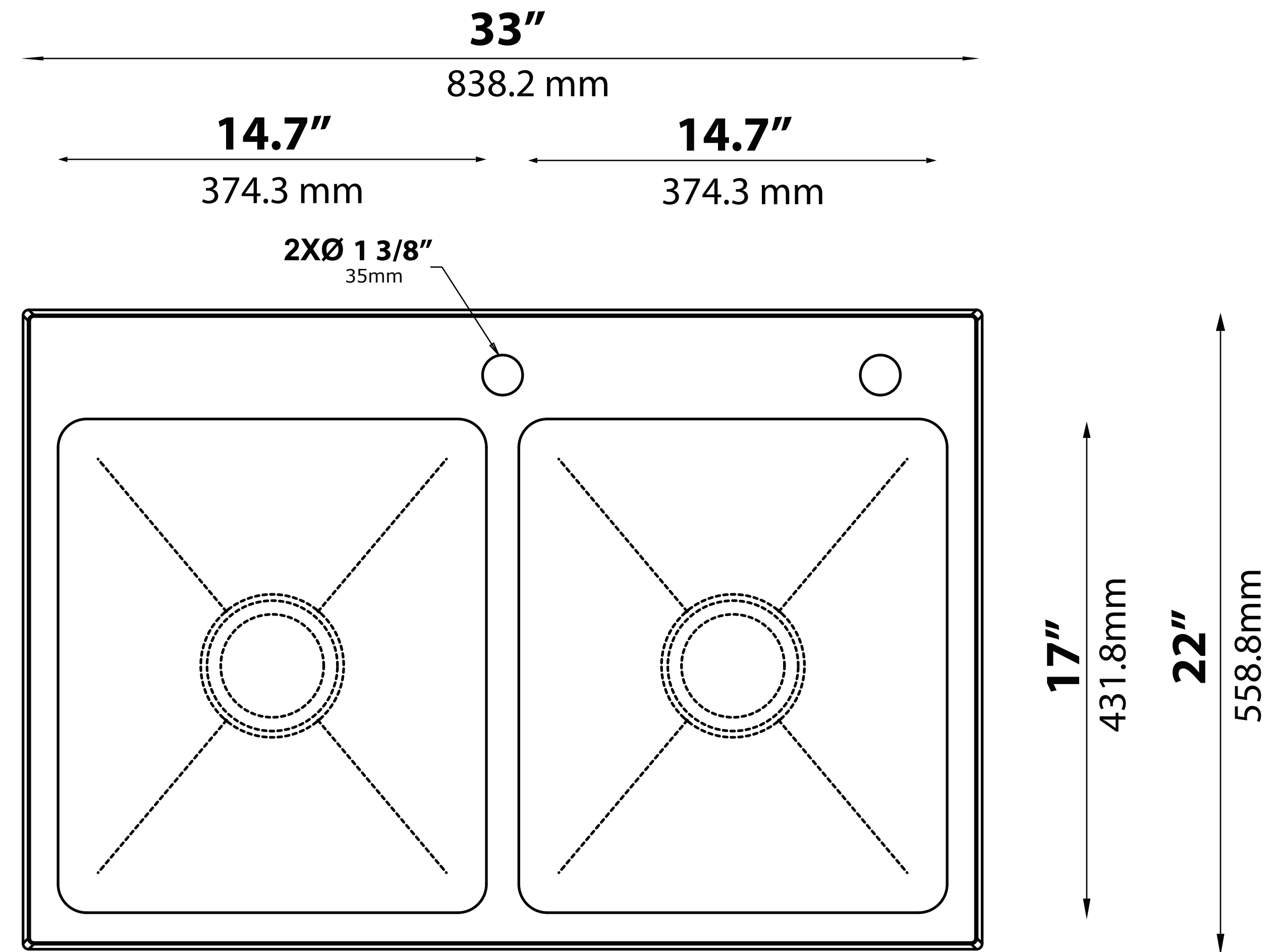
Undermount Cut-out

Pro Hotline: 516.801.8955

Customer Service: 800.775.0703

NOTES:

- 1.The "N" in the Model Number refers to the drain location.
- 2.Cutout template is provided as a guide **ONLY** and must be checked against actual sink to verify correct fit.



Please cut along outer solid line for zero / flushed reveal

Please cut along inner solid line for Negative reveal 1/8"