

1 year limited warranty

Your Drive branded product is warrantied to be free of defects in materials and workmanship for 1 year from the date of purchase for the original consumer purchaser.

This device was built to exacting standards and carefully inspected prior to shipment. This Limited 1 Year Warranty is an expression of our confidence in the materials and workmanship of our products and our assurance to the consumer of years of dependable service.

This warranty does not cover device failure due to owner misuse or negligence, or normal wear and tear. The warranty does not extend to non-durable components, such as rubber accessories, casters, and grips, which are subject to normal wear and need periodic replacement.

If you have a question about your Drive device or this warranty, please contact an authorized Drive dealer.



© 2014 Medical Depot, Inc. All rights reserved.

Drive is a trademark of Medical Depot, Inc.

Port Washington N.Y. 11050 USA Made in China

Rev.3.07.30.14

pull cord alarm

item # 13602



EU Authorized Representative
Drive Medical LTD
Ainley's Industrial Estate
Elland, West Yorkshire
United Kingdom HX5 9JP

www.drivemedical.com

A large, vertical version of the Drive logo, with the word "drive" written in a bold, white, lowercase sans-serif font. A small yellow square is positioned above the letter "i". A trademark symbol (TM) is located at the top right of the word.

application

The Drive Pull Cord Alarm is a staff alert device used to signal that a resident is about to wander. Alarm is secured to a chair or bed, with activation cord clipped to resident's clothing. When resident gets up, pin is pulled from unit, activating alarm signal. Alarm requires 9-volt battery, (included) or AC adaptable (adapter sold separately).

set up

1. Insert one 9-volt battery into battery compartment of alarm. To open battery compartment slide cover open. (Figure 1)

use

1. Turn unit on using switch located on side of alarm unit. (Figure 2)
2. Test unit by pulling pin to activate alarm. Set switch to Low or Hi position, depending upon necessary alarm volume. (Figure 2)
3. Secure alarm to bed or chair using plastic clip on back of alarm or included hook and fastener. When using clip on wheel chair back, position to left or right to avoid contact with resident.
4. Clip end of cloth cord to a piece of clothing the resident is not likely to remove. Clip should be out of residents reach if possible.
5. If resident leaves chair or bed, activation pin pulls from alarm and alarm sounds continuously.
6. To deactivate alarm, turn switch to OFF or reinsert activation pin located at end cloth cord.
7. Once resident has returned to chair or bed, turn alarm on and retest. (Figure 2)

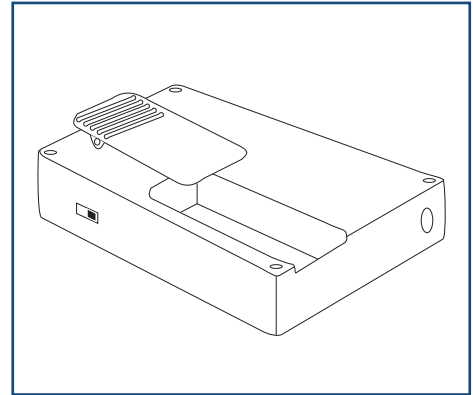


figure 1

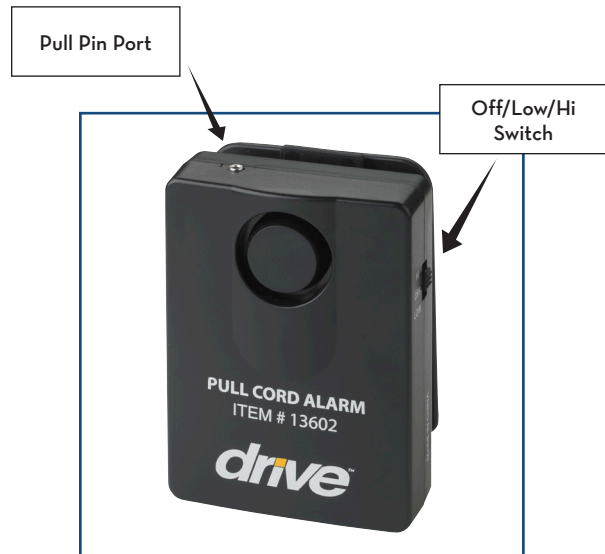


figure 2