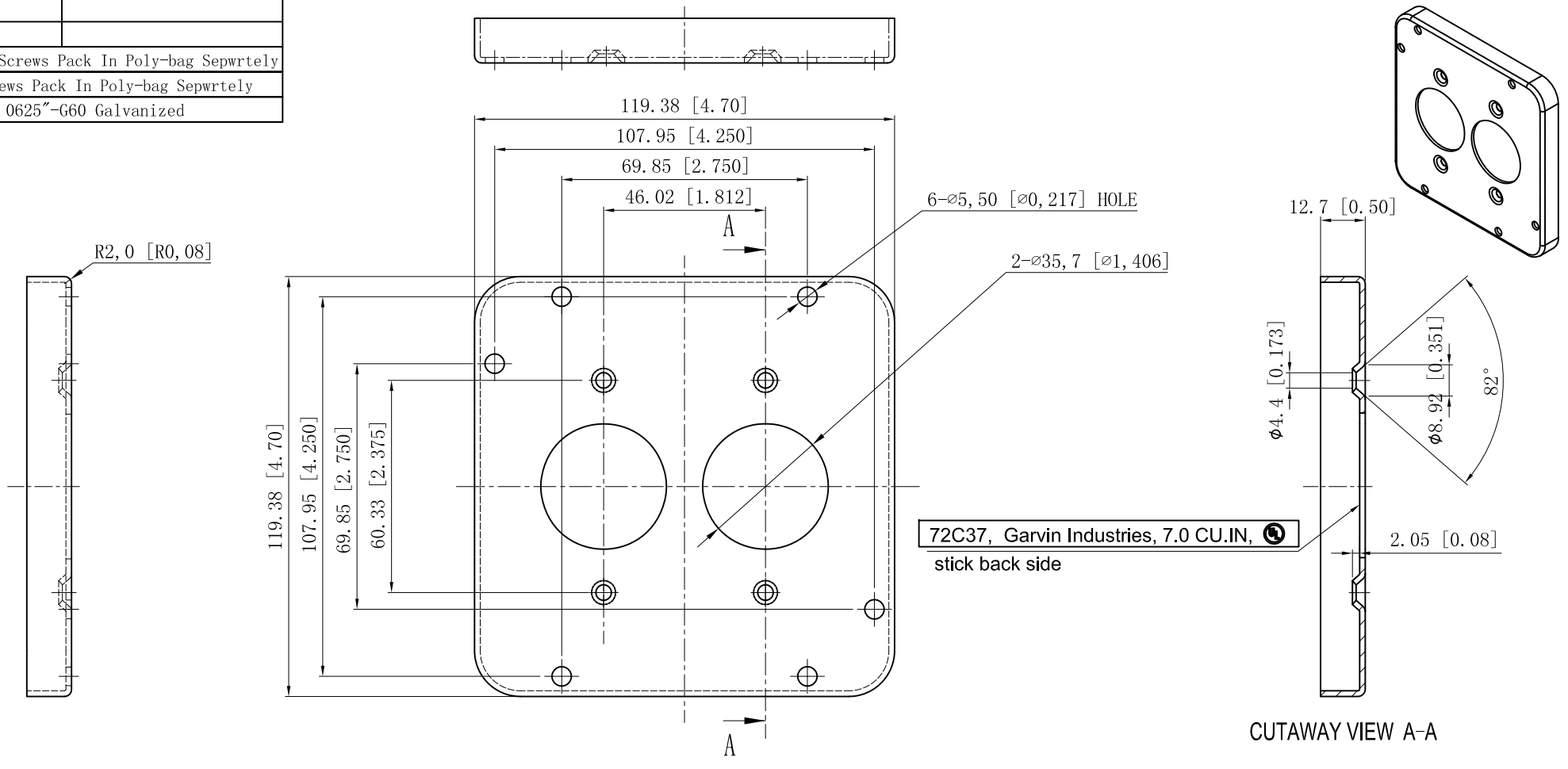


| | |
|--|--------|
| SIDES | BOTTOM |
| | |
| 4 PCS 6-32×5/16 Screws Pack In Poly-bag Sepwrately | |
| 2 PCS 8-32×1 Screws Pack In Poly-bag Sepwrately | |
| Material:Steel-0.0625"-G60 Galvanized | |



This data sheet is for reference only .GARVIN INDUSTRIES reserves the right to make changes to the design without prior notice.

| |
|-----------------------|
| DESCRIPTION |
| |
| TRADE REFERENCE TERMS |
| |

| | | | |
|--------------------------|--|--------------------------------|-----|
| STANDARD PACKING | <h1 style="text-align: center;">GARVIN INDUSTRIES</h1> | | |
| 25 PCS | | | |
| | TITLE | 4-11/16" RS COV, (2) REC 1.406 | |
| | SIZE | DWG NO. | REV |
| | A4 | 72C37 | A |
| DATA SHEET | | | |
| www.garvinindustries.com | | | |