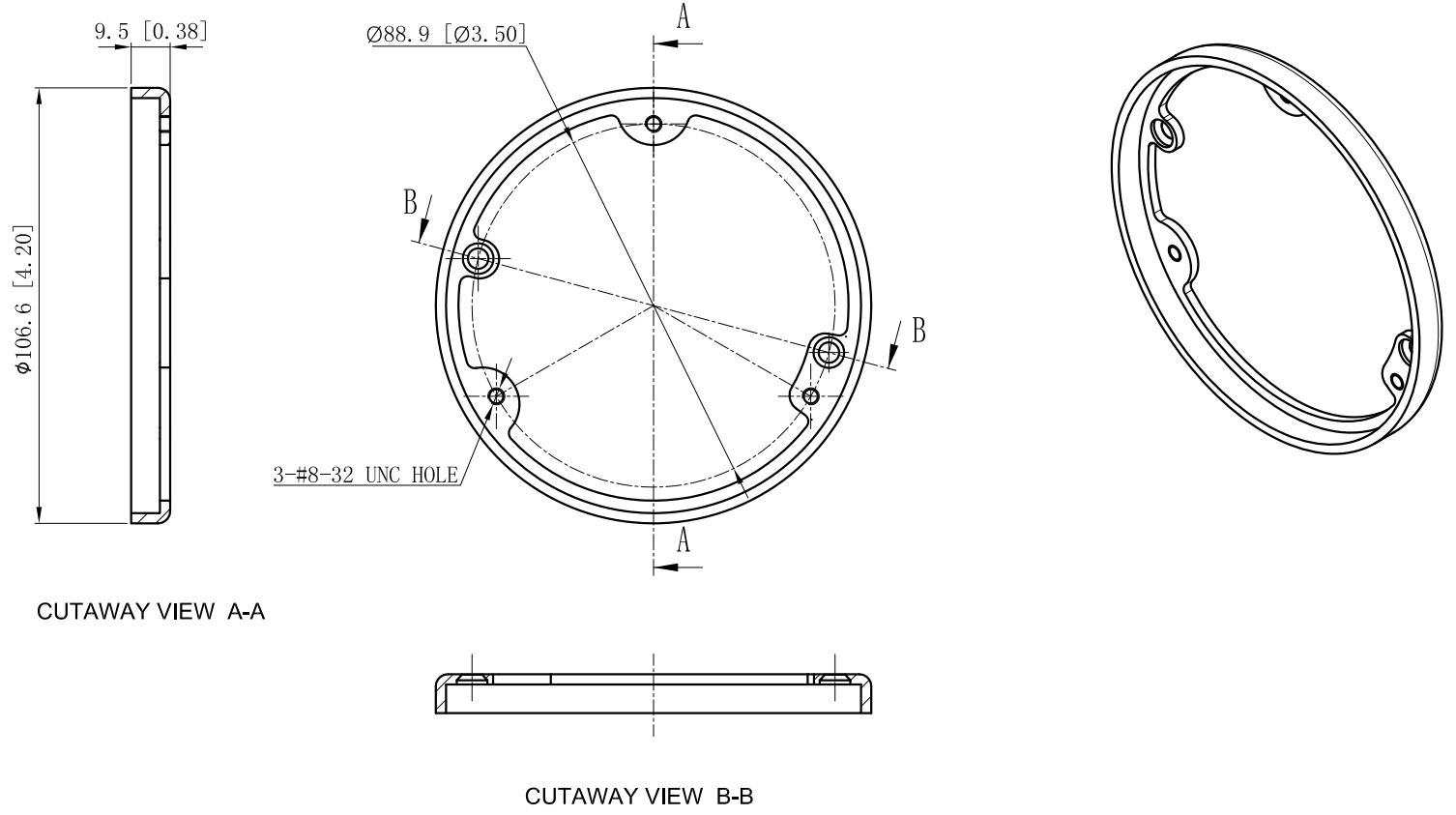


SIDES	BOTTOM
Material:Steel-Brass	



This data sheet is for reference only.GARVIN INDUSTRIES reserves the right to make changes to the design without prior notice.

DESCRIPTION
TRADE REFERENCE TERMS

STANDARD PACKING	GARVIN INDUSTRIES		
40 PCS	TITLE Metal Carpet Flange		
	SIZE A4	DWG NO. FBF-BR	REV
	DATA SHEET		