



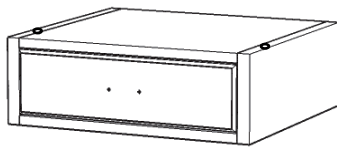
IMPORTANT

Carefully remove all the parts from the carton and place them individually on a soft cloth to prevent scratches or other damage.

Carefully and strictly follow these assembly instructions to ensure a completed product as designed.

Do not use power tools above 8 volts to assemble.

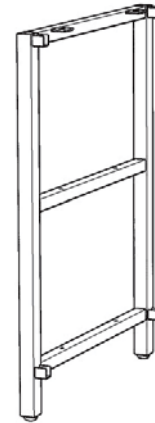
Part List



A.
Cabinet
1 pc.



B.
Rail
4 pcs.



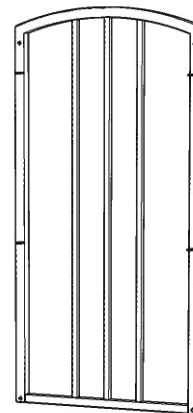
C.
Side Frame
2 pcs.



D.
Shelf
2 pcs.



F.
Side Frame
2 pcs.



G.
Back Frame
1 pc.



E.
Shelf
2 pcs.

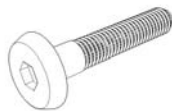
Hardware List



Hex Wrench
1 pc.



Small Hex Wrench
1 pc.



M6x19
Head Cap Bolt
14 pcs. (+1 extra)



Flat Washer
12 pcs. (+1 extra)



Spring Washer
12 pcs. (+1 extra)



M6x45
Tapered Head Cap Bolt
4 pcs. (+1 extra)



M4x32
Wood Screw (long)
16 pcs. (+1 extra)



M4x12
Wood Screw (short)
12 pcs. (+1 extra)



M6x45
Headless Bolt
2 pcs. (+1 extra)



Bracket
2 pcs.

Tool(s) required for assembly: Phillips screwdriver, Level, Drill (8 volts or less), 3/8" Drill Bit

Assembly Instructions 2/5

IMPORTANT

- Use a soft cloth between these parts and the floor.
- Do not use power tools above 8 volts to assemble.
- Do not tighten all the bolts until each part is properly assembled.
- The unit must be level to work properly. Use the included adjustable levelers to level.
- Keep Hex Wrench as the bolts may need to be tightened in the future.

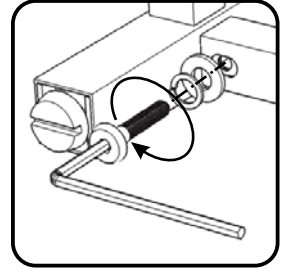
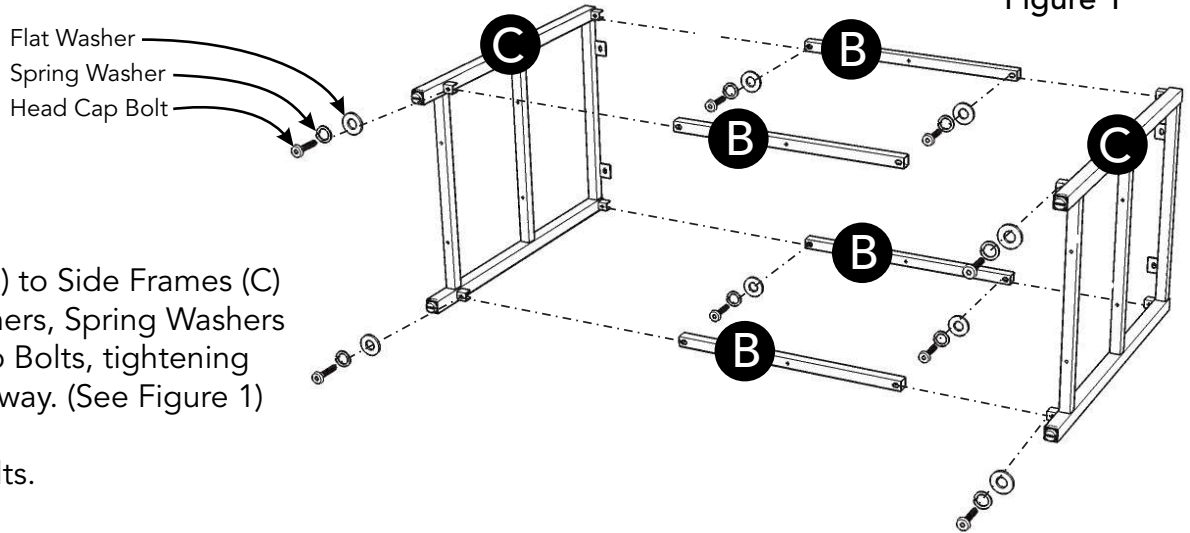


Figure 1



STEP 1

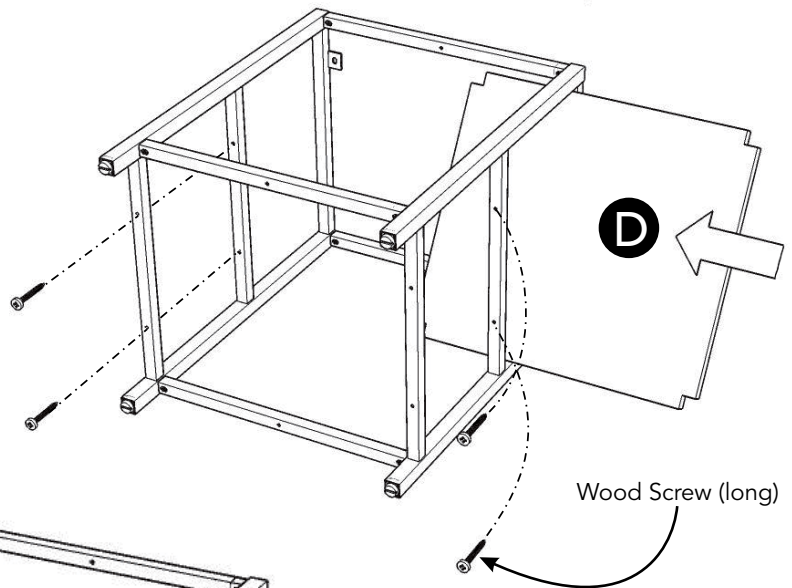
Attach Rails (B) to Side Frames (C) with Flat Washers, Spring Washers and Head Cap Bolts, tightening bolts only halfway. (See Figure 1)

Tighten all bolts.

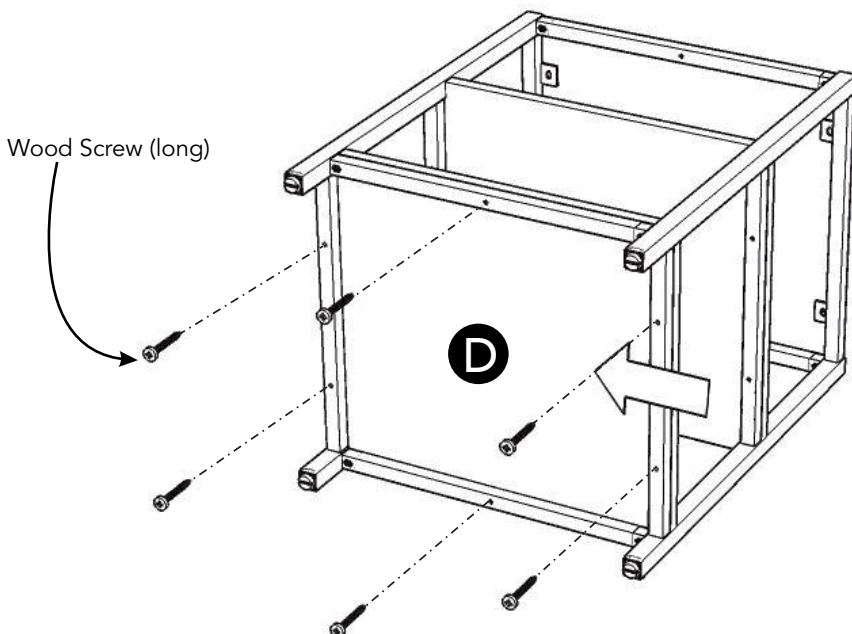
STEP 2

Slide upper Shelf (D) into unit.

Attach upper Shelf (D) to unit with Wood Screws (long).



Wood Screw (long)



STEP 3

Slide lower Shelf (D) into unit.

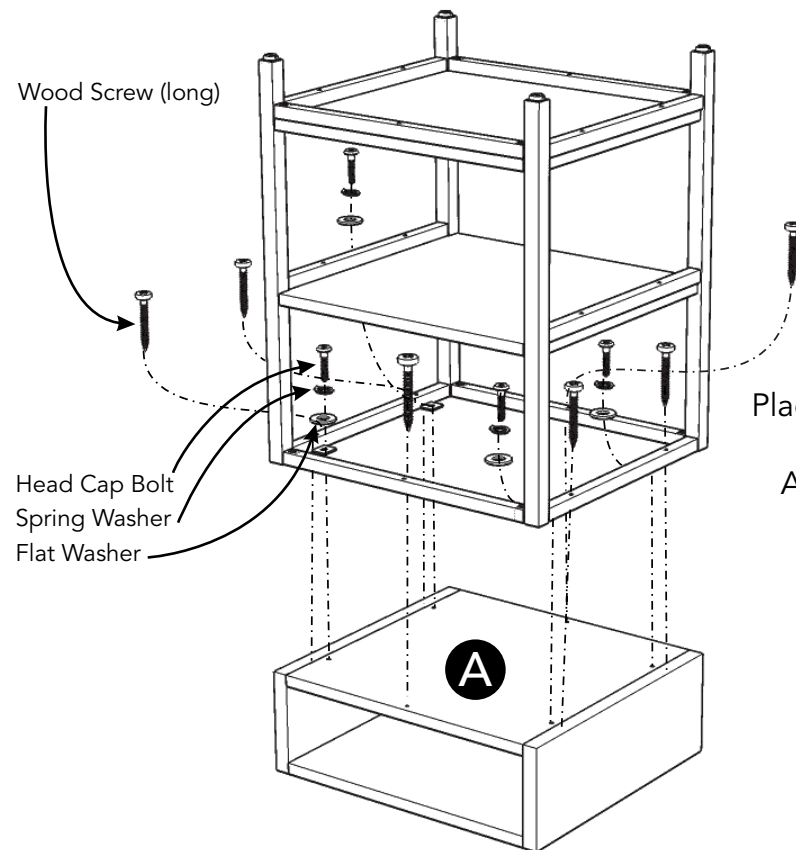
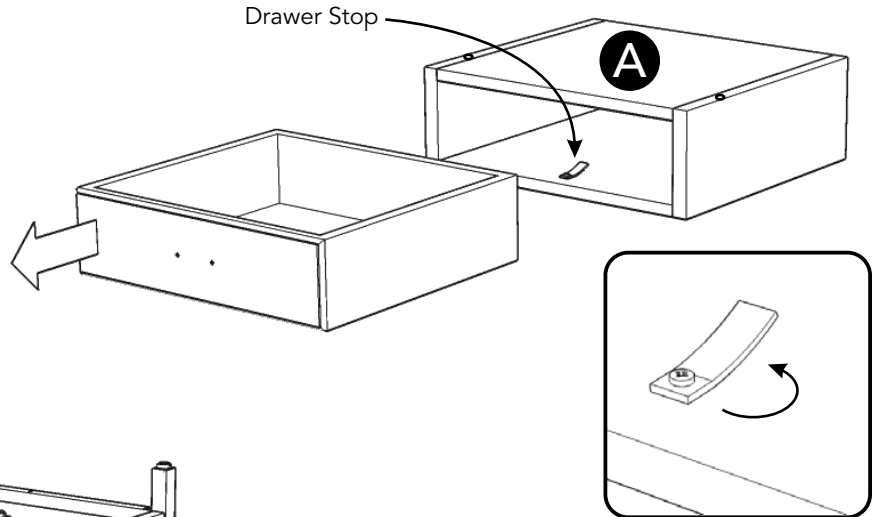
Attach lower Shelf (D) to unit with Wood Screws (long).

Assembly Instructions 3/5

STEP 4

Remove drawer from Cabinet (A).

Rotate drawer stop into position.
(See Figure 2)

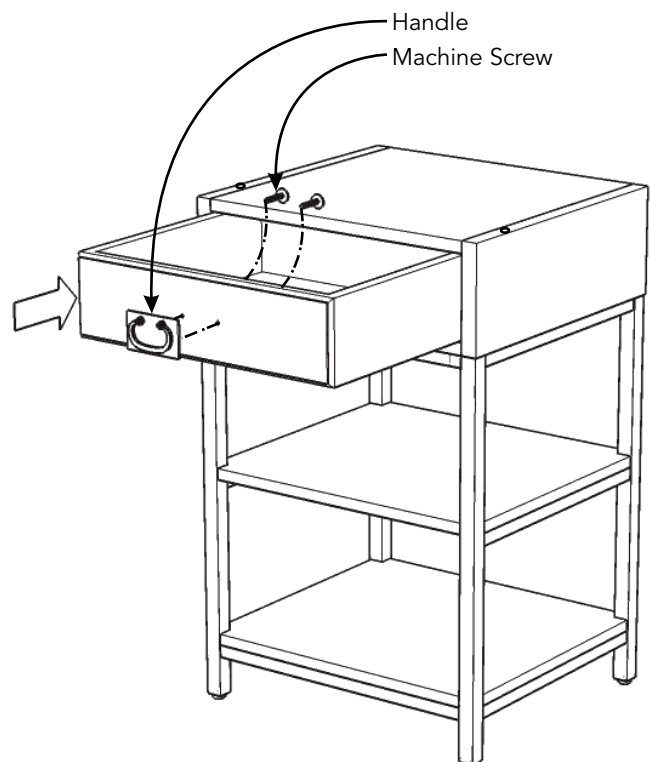


STEP 5

Place Cabinet (A) upside down on a soft cloth.

Attach unit to Cabinet (A) with Flat Washers,
Spring Washers and Head Cap Bolts.

Attach unit to Cabinet (A)
with Wood Screws (long).



STEP 6

Turn unit over to its upright position.

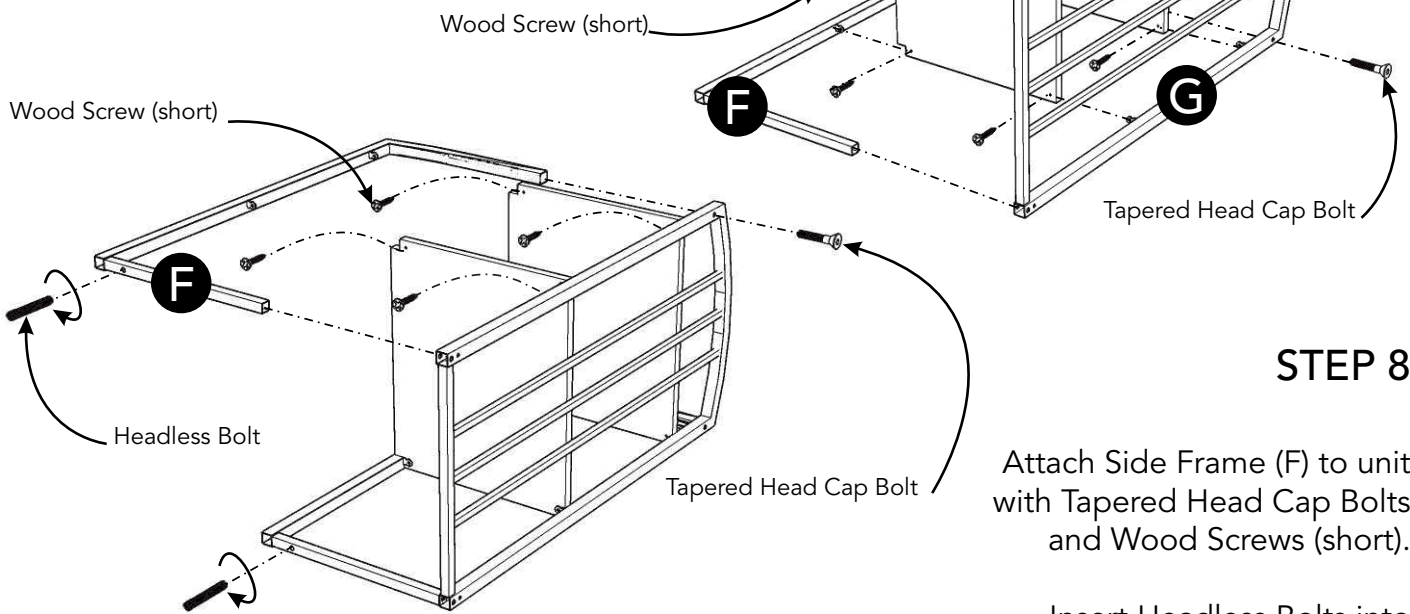
Remove handle on inside of drawer
and attach to outside of drawer with
machine screws.

Slide drawer into position.

Assembly Instructions 4/5

STEP 7

Attach Side Frame (F) and Shelves (E) to Back Frame (G) with Tapered Head Cap Bolts and Wood Screws (short).



STEP 8

Attach Side Frame (F) to unit with Tapered Head Cap Bolts and Wood Screws (short).

Insert Headless Bolts into pre-drilled holes in unit.

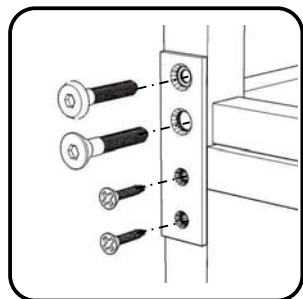
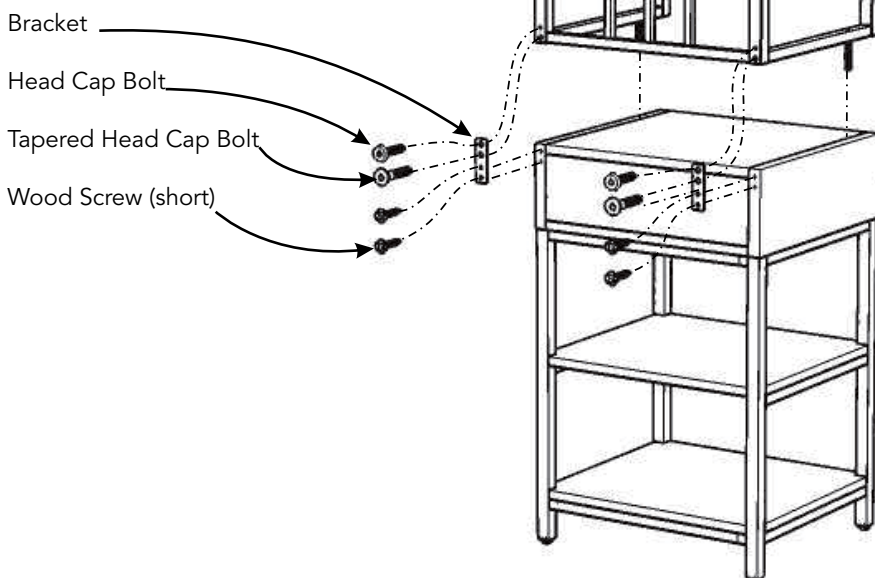


Figure 3



STEP 9

Place upper unit onto base unit.

Attach Brackets to unit with Head Cap Bolts, Tapered Head Cap Bolts and Wood Screws (short). (See Figure 3)

Level unit by adjusting the adjustable levelers on bottom of unit. (See Figure 4)

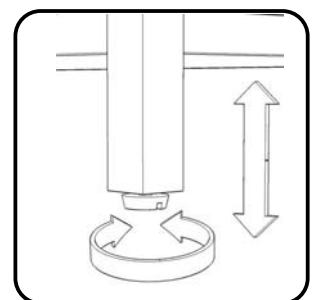


Figure 4

Assembly Instructions 5/5

IMPORTANT

- To help reduce the risk of the unit tipping over, the Tipover Restraint must be installed following these instructions exactly.

STEP 10

Place unit at desired location.

Drill a 3/8" hole in wall in-line with pre-drilled hole at top of unit.

Move unit.

Insert Anchor into the wall hole and attach Bracket with Wall Screw.

Attach Bracket at pre-drilled hole at top of unit with Machine Screw.

Move unit back into place.

Slide Tipover Restraint through Bracket on wall and Bracket on unit.
(See Figure 5)

Put tie end of Tipover Restraint into lock end of Tipover Restraint and pull until tight.

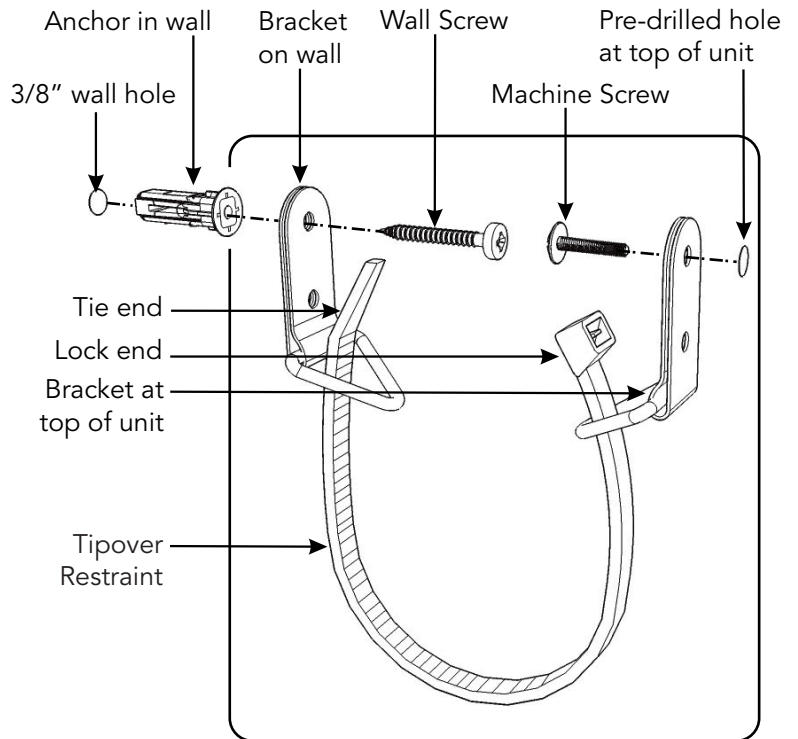
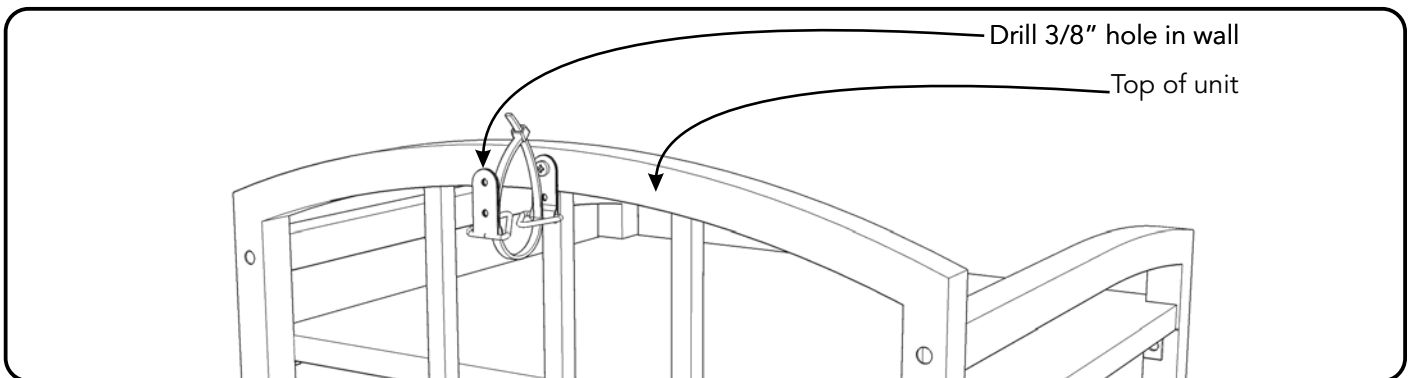
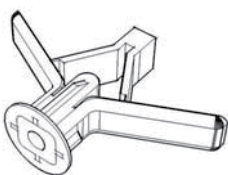


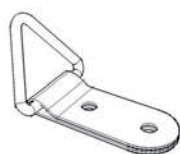
Figure 5



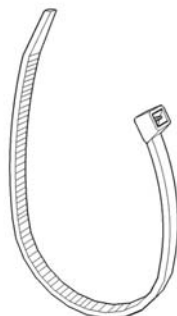
Hardware List



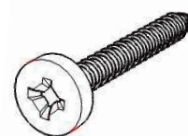
Anchor
1 pc. (+1 extra)



Bracket
2 pcs. (+1 extra)



Tipover Restraint
1 pc. (+1 extra)



M3.5x40
Wall Screw
1 pc. (+1 extra)



M4x10
Machine Screw
1 pc. (+1 extra)

CARE INSTRUCTIONS

NEVER

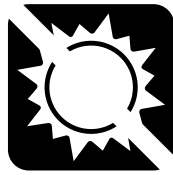
allow liquids to remain on furniture.
Absorption causes parts to warp
and split and finishes to delaminate.

NEVER

use glass cleaners on
finished furniture. Ammonia
chemically attacks the finish.



Do not use power tools
above 8 volts to assemble.
**PREVENT
CRACKING**



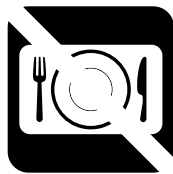
Do not place
in direct sunlight.
**PREVENT
FADING**



Do not write
directly on surface.
**PREVENT
MARKING**



Do not place hot
objects on surface.
**PREVENT
FINISH DAMAGE**



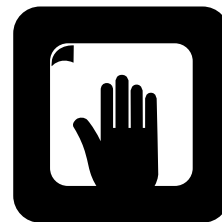
Do not use rubber
based placemats.
**PREVENT
DISCOLORING**



Do not use commercial
waxes and polishes.
**PREVENT
YELLOWING**

CLEAN

with a soft cloth moistened
in lukewarm soap and water.
Buff with a dry clean cloth.



Home Styles will provide replacements free of charge for missing or damaged hardware or parts within 30 days of purchase. Digital images of the defective parts may be required. If the product was not purchased from an authorized retail affiliate, Home Styles is under no obligation to provide replacement parts. Parts are not available for fully assembled items nor are parts available for sale. Replacements for missing or damaged hardware or parts may be requested at:

www.homestyles-furniture.com/customer-service/replacement-parts

Home Styles Customer Service: www.homestyles-furniture.com,
servicedesk@homestyles-furniture.com, 888-680-7460, 877-831-0319