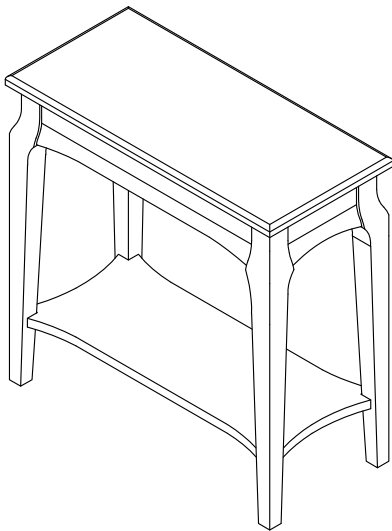


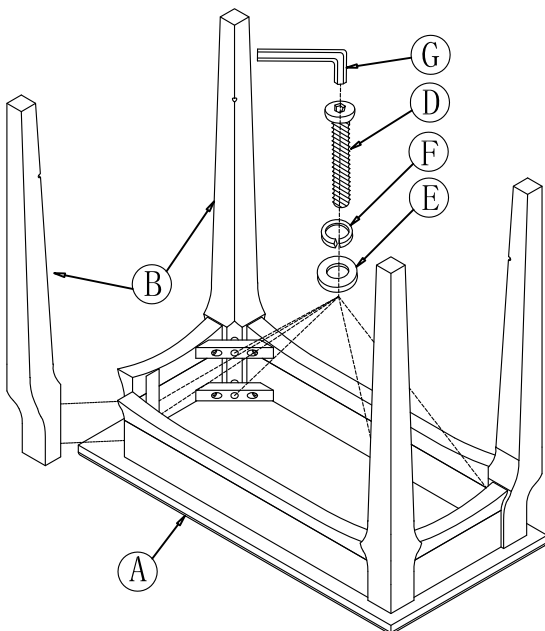
Assembly Instructions, #22031 Hall Stand



A: Top Assembly	
B: (4) Legs	
C: Shelf	
D: (8) Bolts	
E: (8) Flat Washers	
F: (8) Lock Washers	
G: Allen Wrench	
H: (4) Shelf Supports	

Step 1

Place top assembly upside down on a soft surface. Fasten four legs with 8 (bolts, flat washers and lock washers) using the Allen wrench. Tighten.



Step 2

Put the shelf upside down on legs until below the leg shelf holes. Insert the shelf support into the holes.

