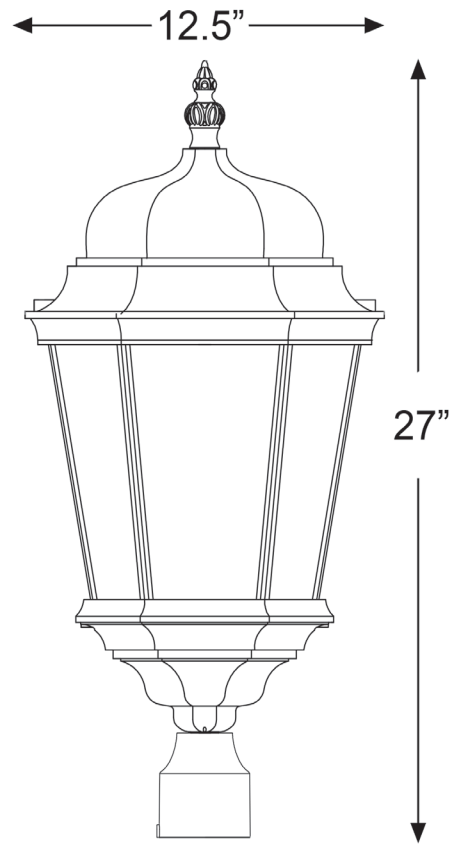


# 5527BK

## TELFAIR 3-LIGHT POST LANTERN



**Description:** Telfair 3-light post lantern

**Finish:** Matte black

**Dimensions:** 12-1/2" W x 27" H

**Bulbs:** 3-60w cand.

**Installed Weight:** 5.7 lbs.

**Certification:** Wet location

**Material:** Cast aluminum

**Shade:** Glass

**Glass:** Hammered water

**Post Dimensions:** 3" dia. post fitter

**Chain/Wire:** NA

**Additional Finishes:** NA