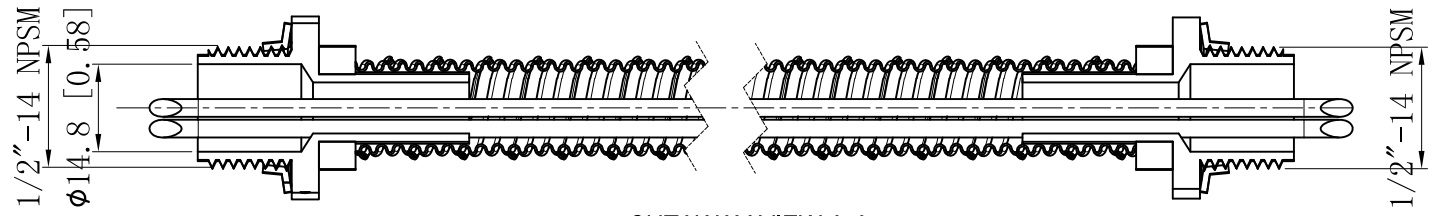
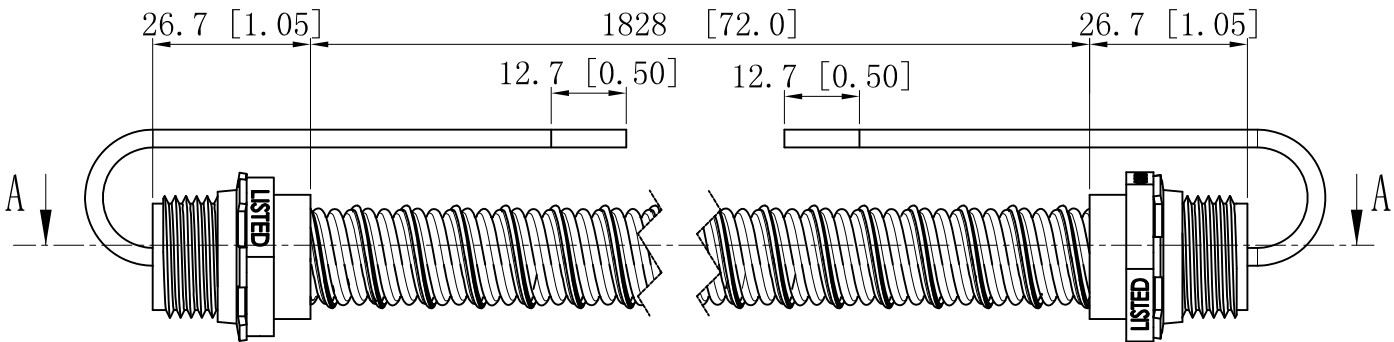
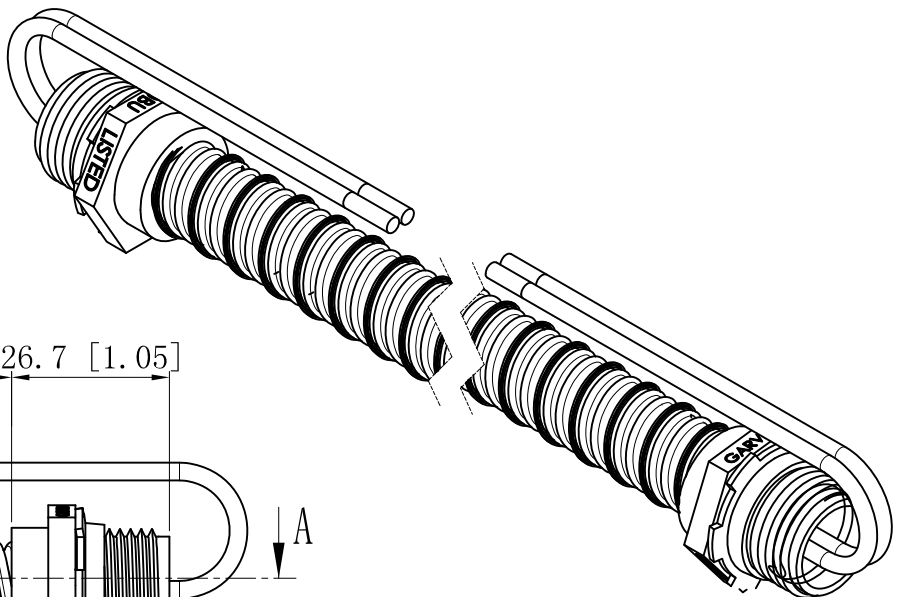


| | |
|---|--------|
| SIDES | BOTTOM |
| | |
| | |
| #14 AWG 1 of 7 foot long Black THHN stranded wire | |
| #14 AWG 1 of 7 foot long White THHN stranded wire | |
| Material:ZAMAK 3 | |



CUTAWAY VIEW A-A

This data sheet is for reference only .GARVIN INDUSTRIES reserves the right to make changes to the design without prior notice.

| |
|-----------------------|
| DESCRIPTION |
| |
| TRADE REFERENCE TERMS |
| |

| | | | |
|--|---------------------------------|---------|-----|
| STANDARD PACKING | GARVIN INDUSTRIES | | |
| | SCREW IN CONNECTORS & COUPLINGS | | |
| | SIZE | DWG NO. | REV |
| | A4 | PWHP-2A | |
| DATA SHEET | | | |
| www.garvinindustries.com | | | |