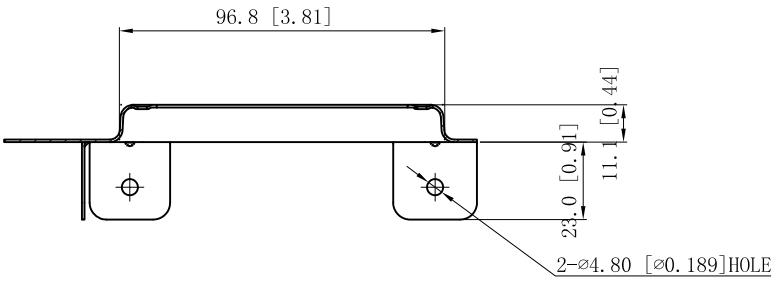
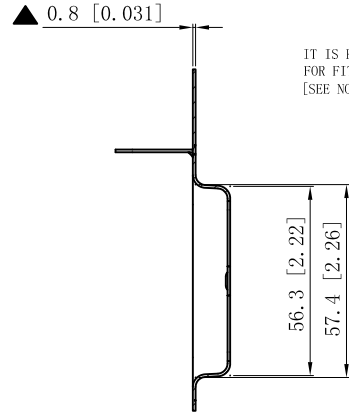
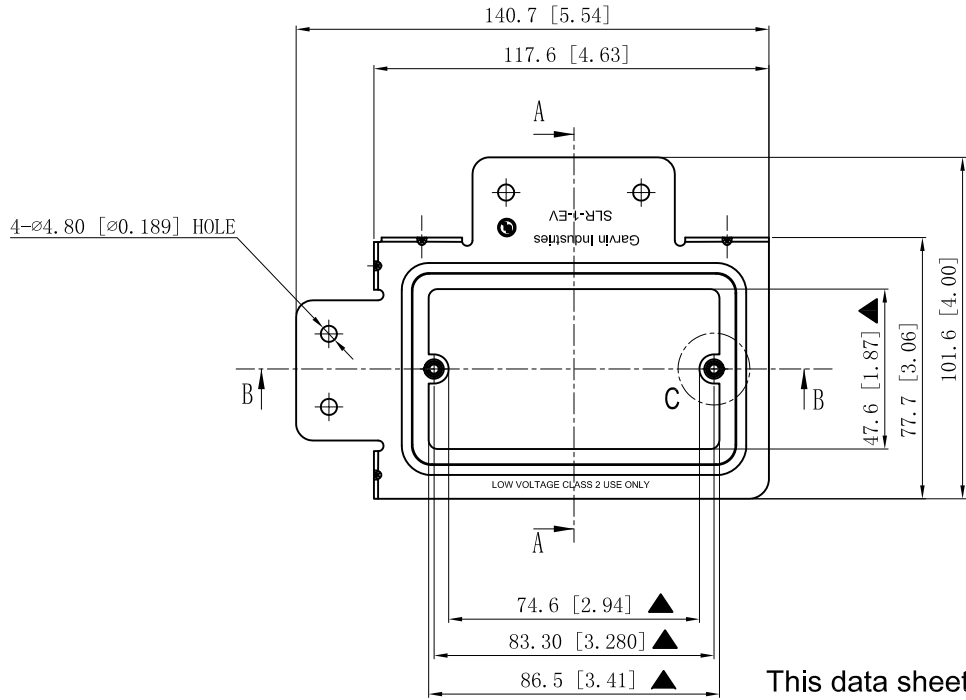
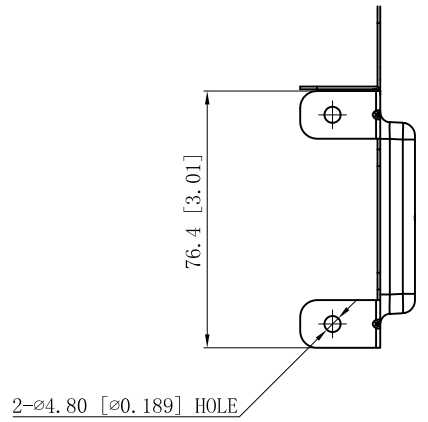
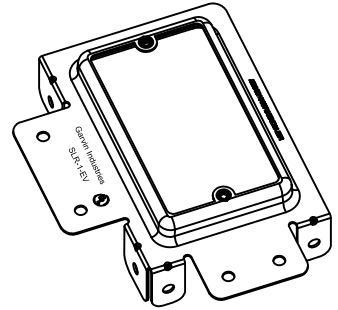


SIDES	BOTTOM
Material: Steel-0.0303" MIN-G60 Galvanized	

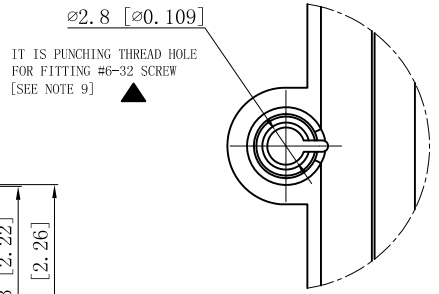
UL File # E332066



CUTAWAY VIEW B-B



CUTAWAY VIEW A-A



VIEW C

This data sheet is for reference only .GARVIN INDUSTRIES reserves the right to make changes to the design without prior notice.

DESCRIPTION
TRADE REFERENCE TERMS

STANDARD PACKING	GARVIN INDUSTRIES		
25 PCS	SIZE	DWG NO.	REV
	A4	SLR-1-EV	
DATA SHEET			
www.garvinindustries.com			