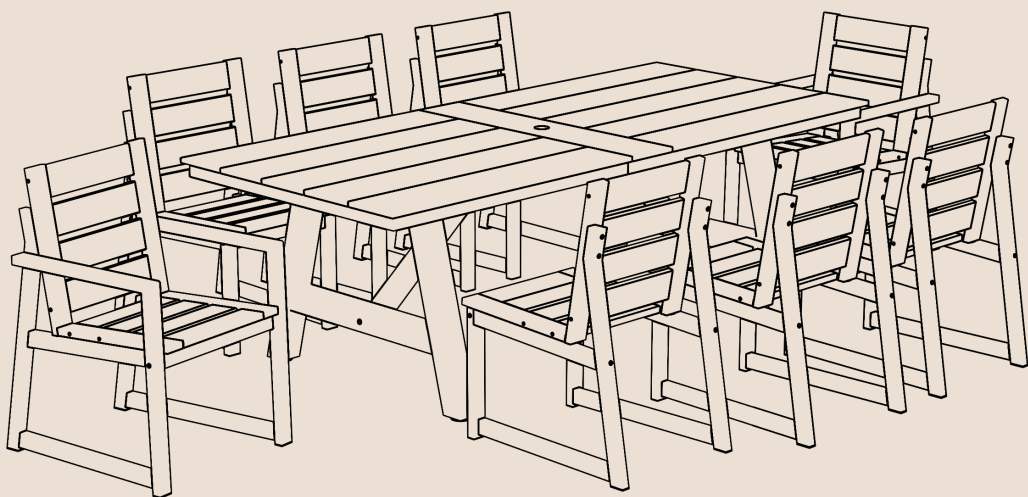


WWT
WESTINTRENDS
WWT

DESIGNED IN CALIFORNIA



— 9-PIECE OUTDOOR DINING SET —

THANK YOU!

We appreciate you for choosing WestinTrends!

Thank you for letting WestinTrends continue to offer accessible luxury trends, inspired by everyone!

JOIN THE WESTINTRENDS COMMUNITY

Sign up here:

[*https://westintrends.com/welcome*](https://westintrends.com/welcome)



QUESTIONS OR COMMENTS?

If you have questions reach out to
cs@westintrends.com

FOLLOW, SHARE, & LEARN



PRODUCT REGISTRATION

[*https://westintrends.com/apps/product-registration*](https://westintrends.com/apps/product-registration)



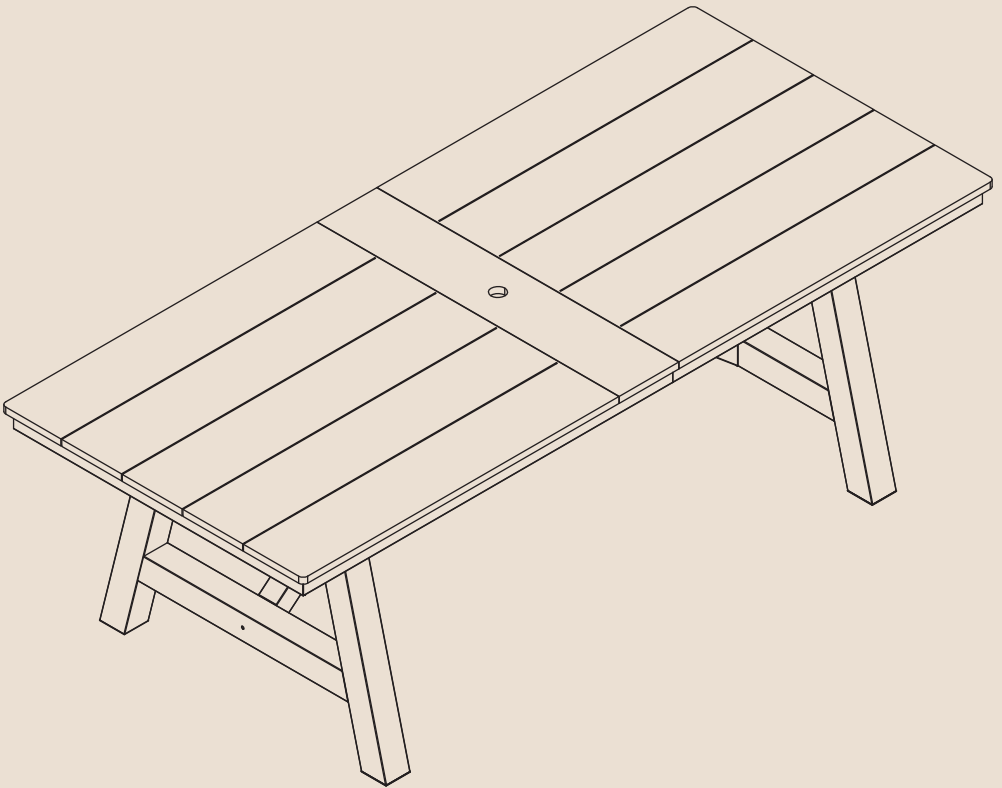
TABLE OF CONTENTS

ASSEMBLY INSTRUCTIONS

90" X 39" Rectangular Outdoor Dining Table.....	4
Outdoor Dining Arm Chair.....	10
Outdoor Dining Side Chair.....	15



DESIGNED IN CALIFORNIA



— 90" X 39" RECTANGULAR OUTDOOR DINING TABLE —

! NOTICE

Do not overtighten screws. (Insert all screws before tightening screws.)

- Please do not exceed the weight limitations of this item.
- Do not stand on or use any part of this item as a step ladder.
- Firmly secure all bolts, screws, and nuts before use.
- Reconfirm that all bolts, screws, and nuts are secure every 90 days.
- Do not use or store this item in the proximity of open flame or flammable / combustible chemicals.
- Be aware that some parts are heavy and have sharp edges.
- When using an electric drill, please adjust its speed slowly to avoid screw slippage.

NO TOOLS REQUIRED

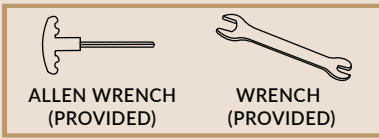


TABLE
300LBS
CAPACITY

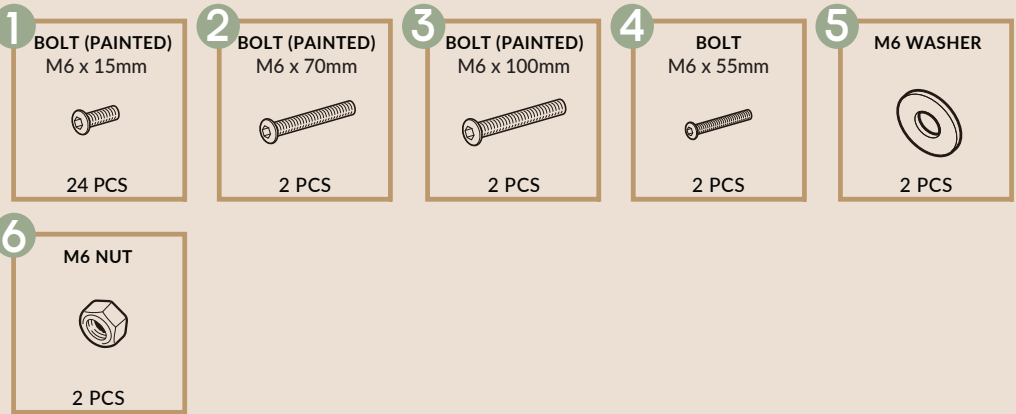


3 PERSON
ASSEMBLY

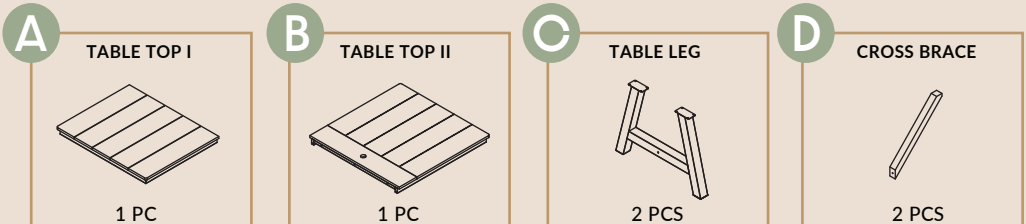


UP TO 30 MIN.
ASSEMBLY

HARDWARE



PARTS



PARTS

E

TABLE
CONNECTING PLATE



2 PCS

F

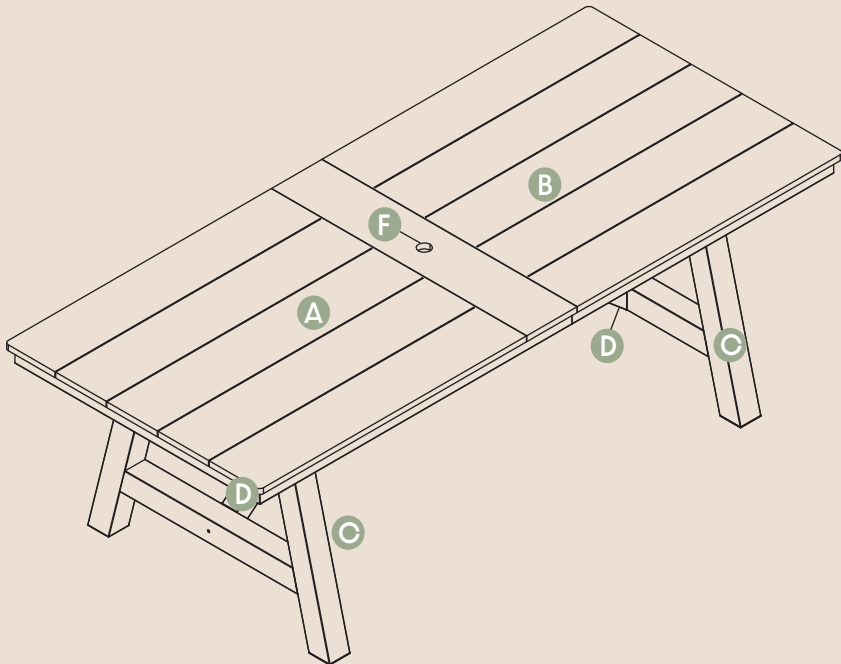
UMBRELLA
HOLE COVER



1 PC

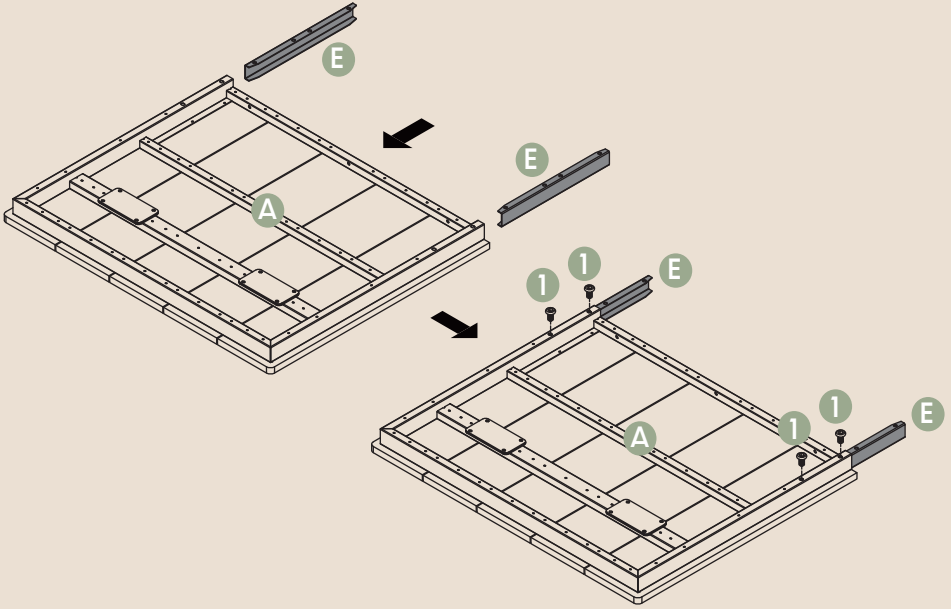
PRODUCT ASSEMBLY - OVERALL VIEW

Look at the overall view of this table and learn the exact position of each part to be assembled.



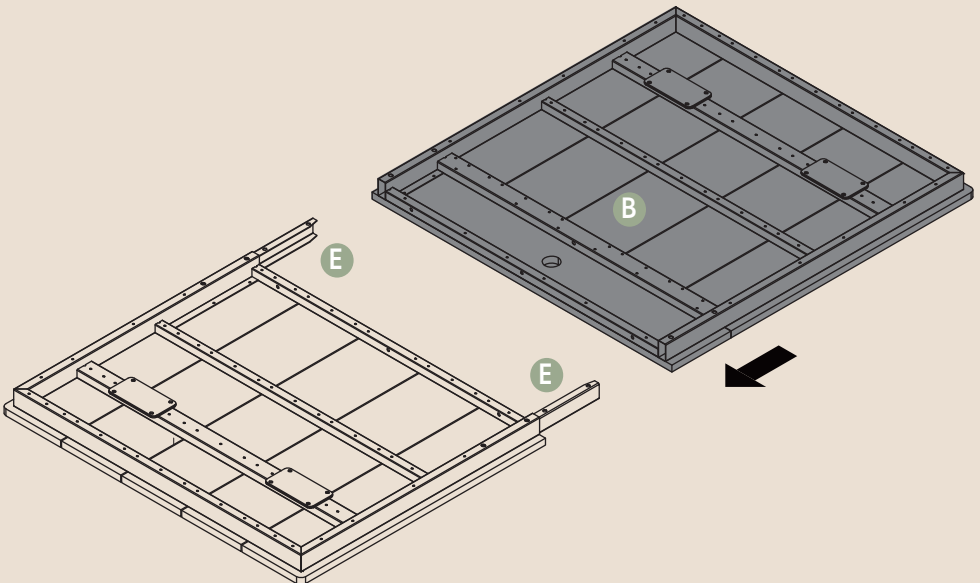
PRODUCT ASSEMBLY

1 Attach **Part E Table Connecting Plate** to **Part A Table Top I** with 4 pcs of **Hardware #1 Bolt**.



PRODUCT ASSEMBLY

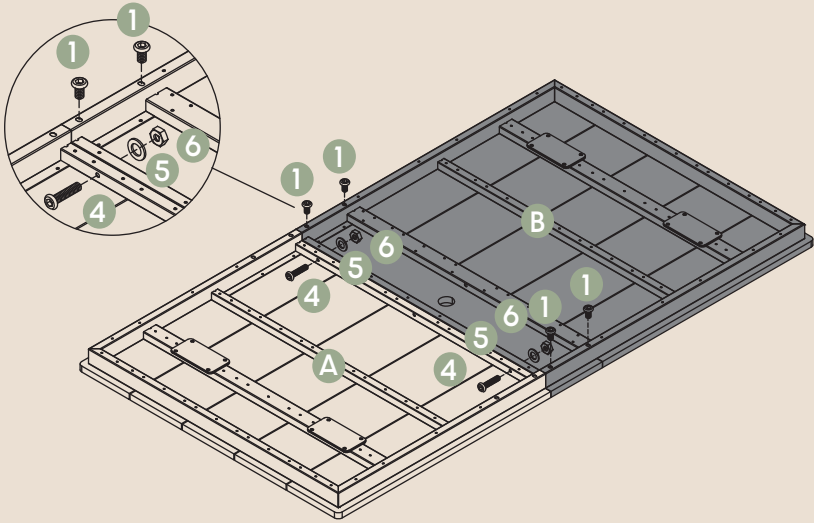
2 Insert **Part E Table Connecting Plate** into **Part B Table Top II**.



PRODUCT ASSEMBLY

3

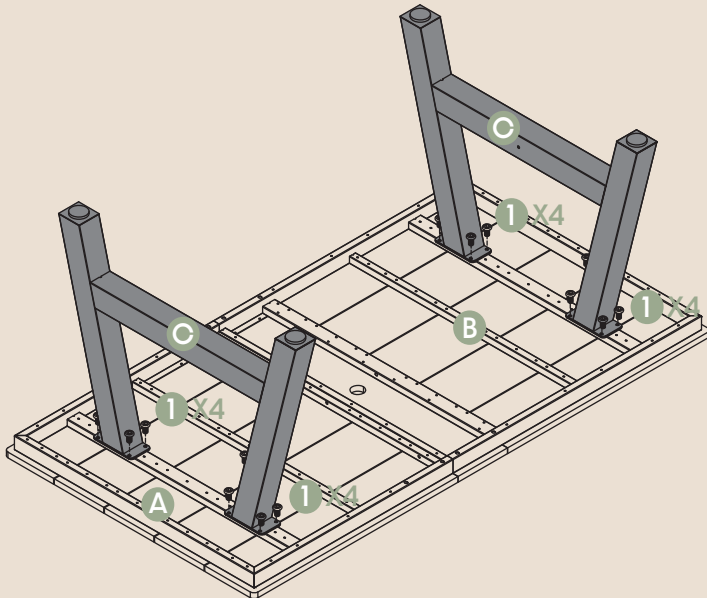
Attach **Part B Table Top II** to **Part E Table Connecting Plate** with 4 pcs of **Hardware #1 Bolt**. Attach **Part A Table Top I** to **Part B Table Top II** with 2 pcs of **Hardware #4 Bolt**, 2 pcs of **Hardware #5 Washer** and **Hardware #6 Nut**.



PRODUCT ASSEMBLY

4

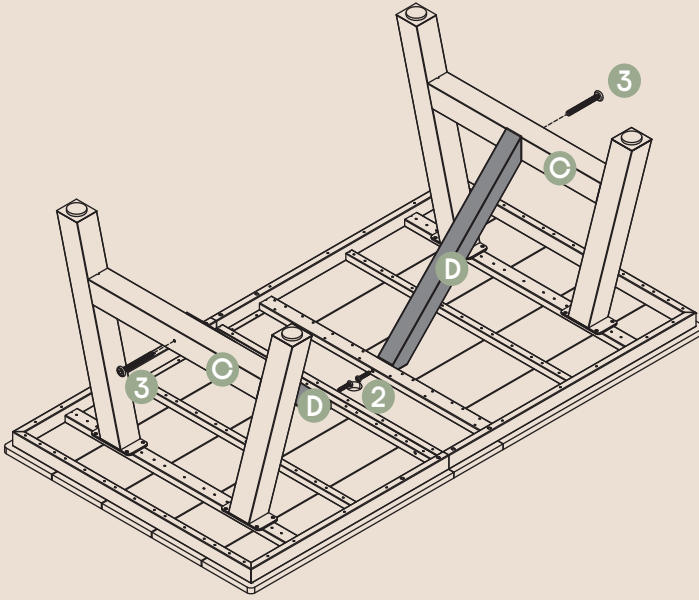
Attach **Part C Table Leg** to **Part A Table Top I** and **Part B Table Top II** with 16 pcs of **Hardware #1 Bolt**.



PRODUCT ASSEMBLY

5

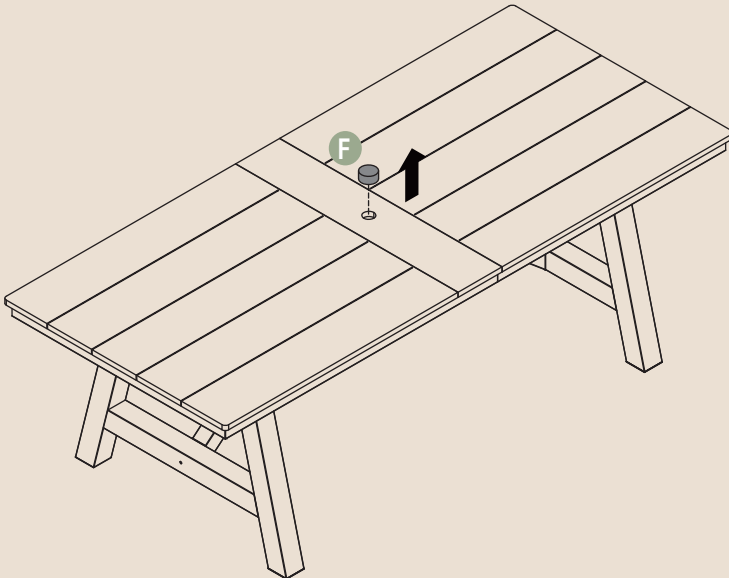
Attach **Part D Cross Brace** to **Part C Table Leg** with 2 pcs of **Hardware #2 Bolt** and 2 pcs of **Hardware #3 Bolt**.



PRODUCT ASSEMBLY

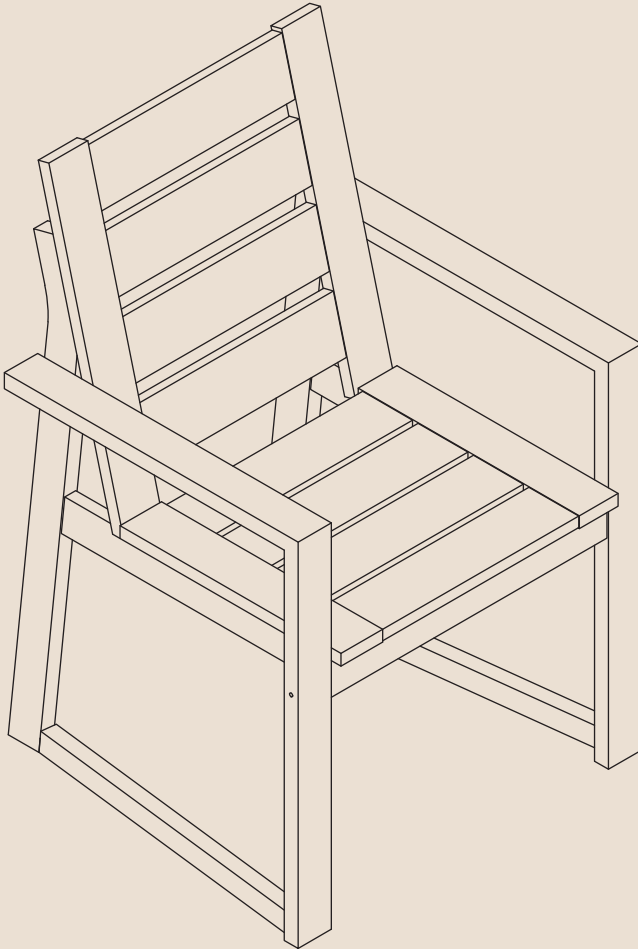
6

Check and tighten all the bolts again to finish the assembly.
Remark: Please remove the umbrella hole cover when you insert the umbrella!





DESIGNED IN CALIFORNIA



— OUTDOOR DINING ARM CHAIR —

! CARE & MAINTENANCE

Do not overtighten screws. (Insert all screws before tightening screws.)

- Please do not exceed the weight limitations of this item.
- Do not stand on or use any part of this item as a step ladder.
- Firmly secure all bolts, screws, and nuts before use.
- Reconfirm that all bolts, screws, and nuts are secure every 90 days.
- Do not use or store this item in the proximity of open flame or flammable/combustible chemicals.
- Be aware that some parts are heavy and have sharp edges.
- When using an electric drill, please adjust its speed slowly to avoid screw slippage.

TOOLS REQUIRED



CHAIR
330 LBS
CAPACITY



2 PERSON
ASSEMBLY



UP TO 30 MIN.
ASSEMBLY

HARDWARE

1

SCREW
M6 x 70mm



4 PCS

2

BOLT
M6 x 60mm



4 PCS

3

SCREW
M6 x 30mm



2 PCS

PARTS

A

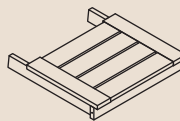
CHAIR BACK



1 PC

B

CHAIR SEAT



1 PC

C

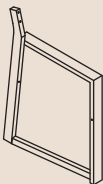
RIGHT CHAIR LEG



1 PC

D

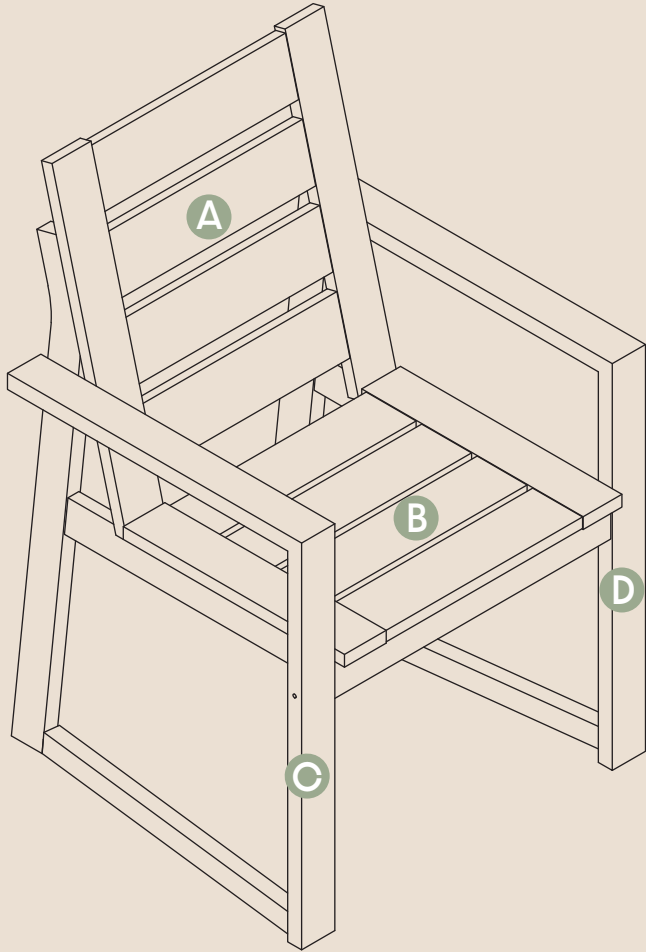
LEFT CHAIR LEG



1 PC

PRODUCT ASSEMBLY - OVERALL VIEW

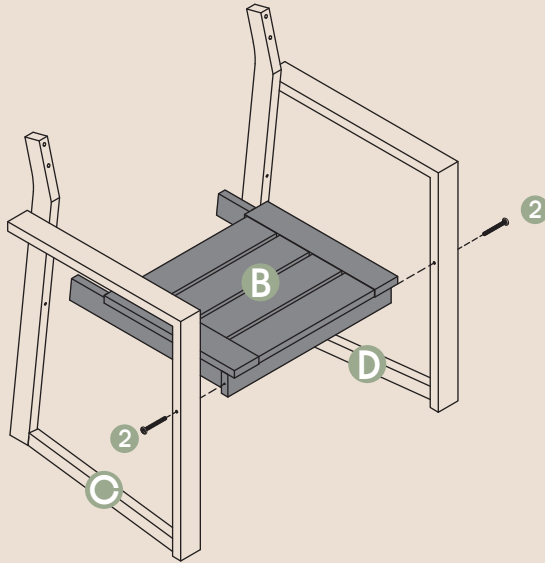
Look at the overall view of this chair and learn the exact position of each part to be assembled.



PRODUCT ASSEMBLY

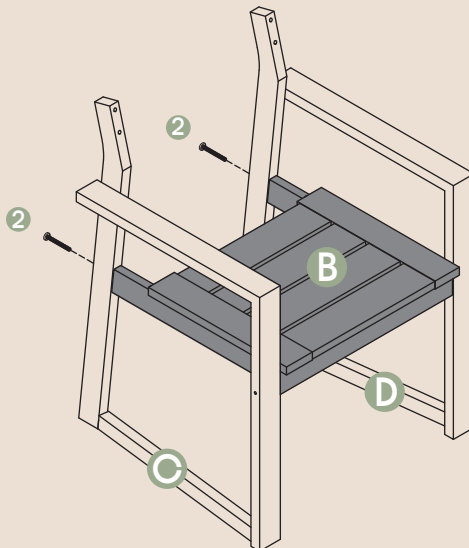
1

Attach **Part C Right Chair Leg** and **Part D Left Chair Leg** to **Part B Chair Seat** with 2 pcs of **Hardware #2 Bolt**.



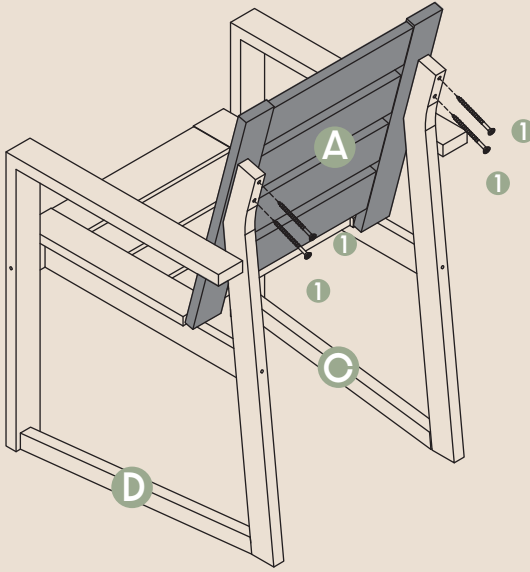
2

Attach **Part C Right Chair Leg** and **Part D Left Chair Leg** to **Part B Chair Seat** with 2 pcs of **Hardware #2 Bolt**.



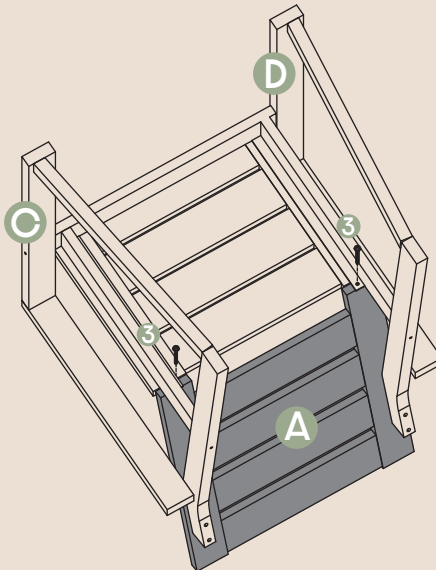
3

Attach **Part C Right Chair Leg** and **Part D Left Chair Leg** to **Part A Chair Back** with 4 pcs of **Hardware #1 Screw**.



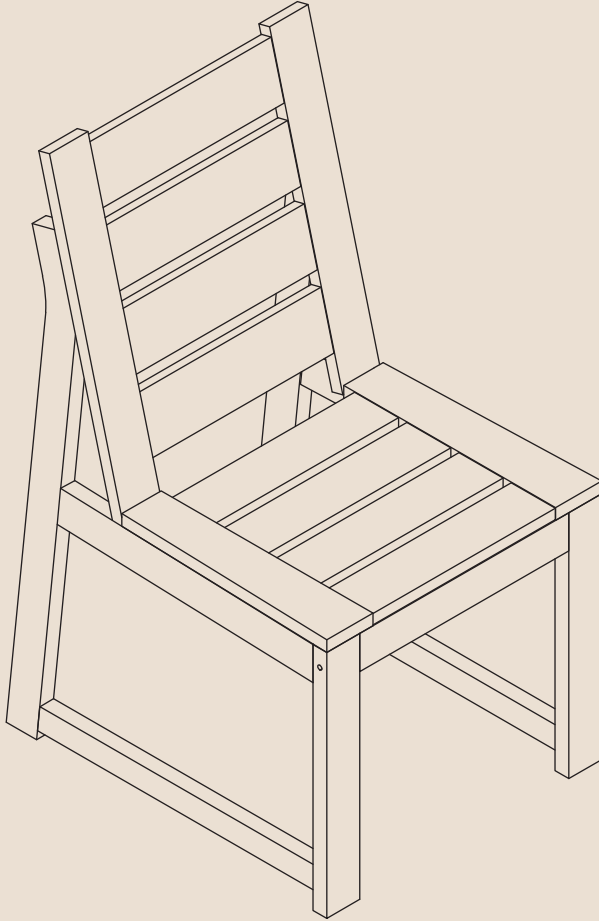
4

Attach **Part C Right Chair Leg** and **Part D Left Chair Leg** to **Part B Chair Seat** with 2 pcs of **Hardware #3 Screw**.





DESIGNED IN CALIFORNIA



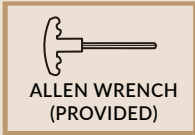
— OUTDOOR DINING SIDE CHAIR —

! CARE & MAINTENANCE

Do not overtighten screws. (Insert all screws before tightening screws.)

- Please do not exceed the weight limitations of this item.
- Do not stand on or use any part of this item as a step ladder.
- Firmly secure all bolts, screws, and nuts before use.
- Reconfirm that all bolts, screws, and nuts are secure every 90 days.
- Do not use or store this item in the proximity of open flame or flammable/combustible chemicals.
- Be aware that some parts are heavy and have sharp edges.
- When using an electric drill, please adjust its speed slowly to avoid screw slippage.

TOOLS REQUIRED



CHAIR
330 LBS
CAPACITY



2 PERSON
ASSEMBLY



UP TO 30 MIN.
ASSEMBLY

HARDWARE

1

SCREW
M6 x 70mm



4 PCS

2

BOLT
M6 x 60mm



4 PCS

3

SCREW
M6 x 30mm



2 PCS

PARTS

A

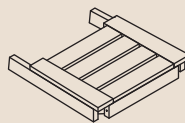
CHAIR BACK



1 PC

B

CHAIR SEAT



1 PC

C

RIGHT CHAIR LEG



1 PC

D

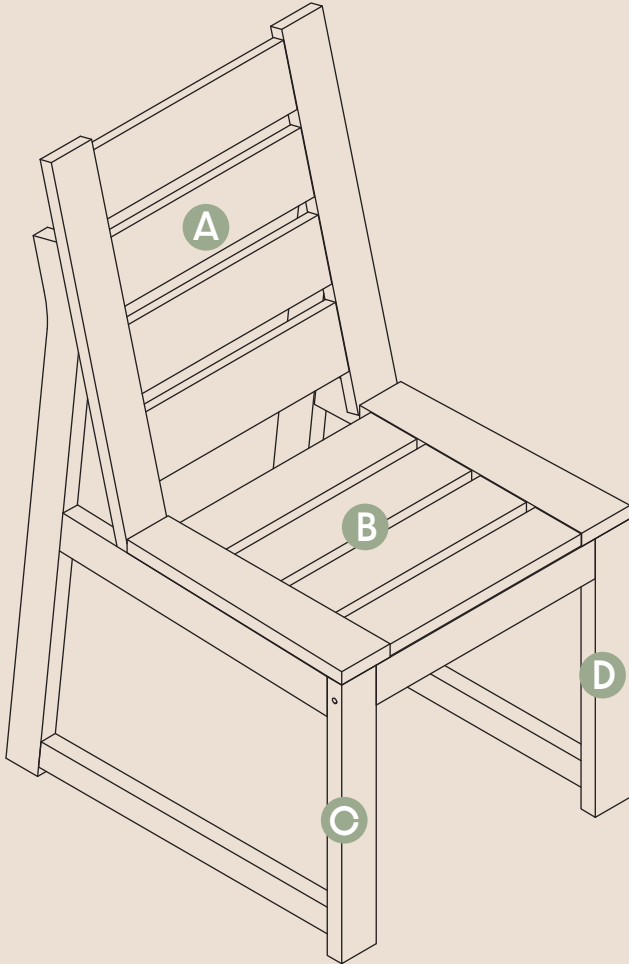
LEFT CHAIR LEG



1 PC

PRODUCT ASSEMBLY - OVERALL VIEW

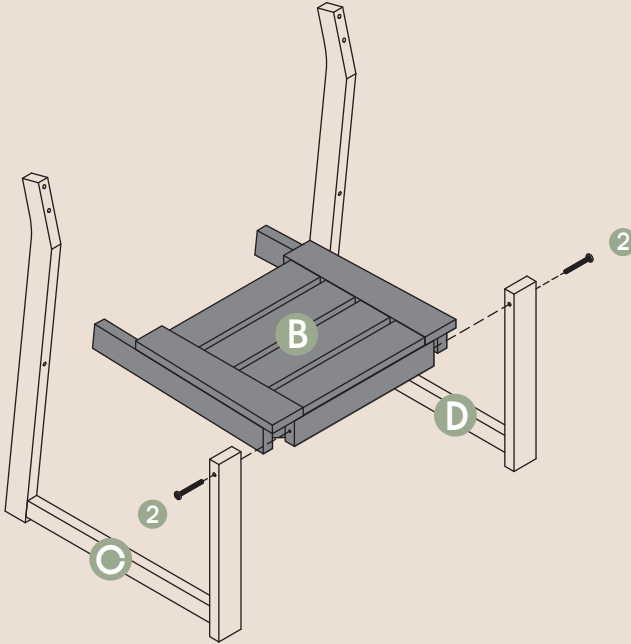
Look at the overall view of this chair and learn the exact position of each part to be assembled.



PRODUCT ASSEMBLY

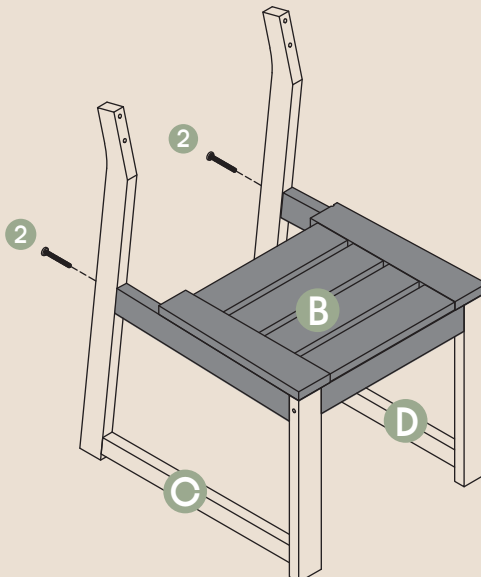
1

Attach **Part C Right Chair Leg** and **Part D Left Chair Leg** to **Part B Chair Seat** with 2 pcs of **Hardware #2 Bolt**.



2

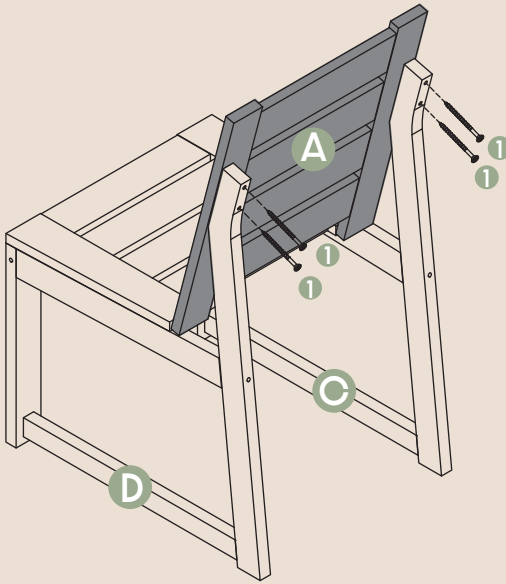
Attach **Part C Right Chair Leg** and **Part D Left Chair Leg** to **Part B Chair Seat** with 2 pcs of **Hardware #2 Bolt**.



PRODUCT ASSEMBLY

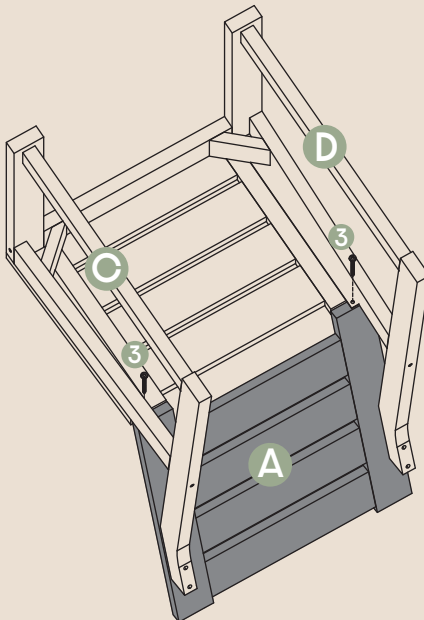
3

Attach **Part C Right Chair Leg** and **Part D Left Chair Leg** to **Part A Chair Back** with 4 pcs of **Hardware #1 Screw**.



4

Attach **Part C Right Chair Leg** and **Part D Left Chair Leg** to **Part B Chair Seat** with 2 pcs of **Hardware #3 Screw**.



REGISTRATION & REFUND POLICY

<https://westintrends.com/apps/product-registration>



<https://westintrends.com/policies/refund-policy>



HAVING TROUBLE

- **Not sure how to assemble or missing pieces?**

Please contact our Customer Service Team for assistance at cs@westintrends.com

Have Order #, Part # or SKU ready to speed up customer service!

CLEANING TIPS

REGULAR CLEAN: Use a mixture of warm water and mild soap. Gently scrub the surface with a soft bristle brush to remove any dirt or stains.

QUICK CLEAN: You can simply wipe down the furniture with a damp cloth.

Regular cleaning not only preserves the aesthetic appeal of your furniture but also helps extend its lifespan.

Pressure washer can be used for seriously deep-cleaning - **DO NOT exceed 1500 PSI** - this will remove any debris and dirt.