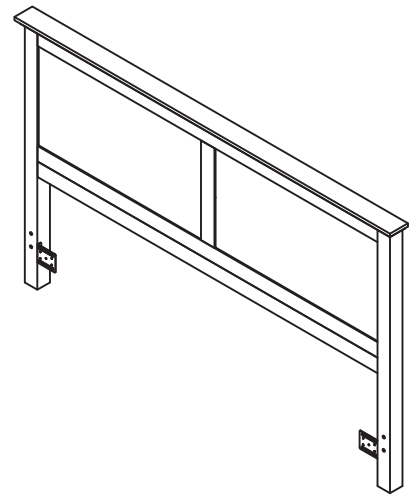


# King Headboard



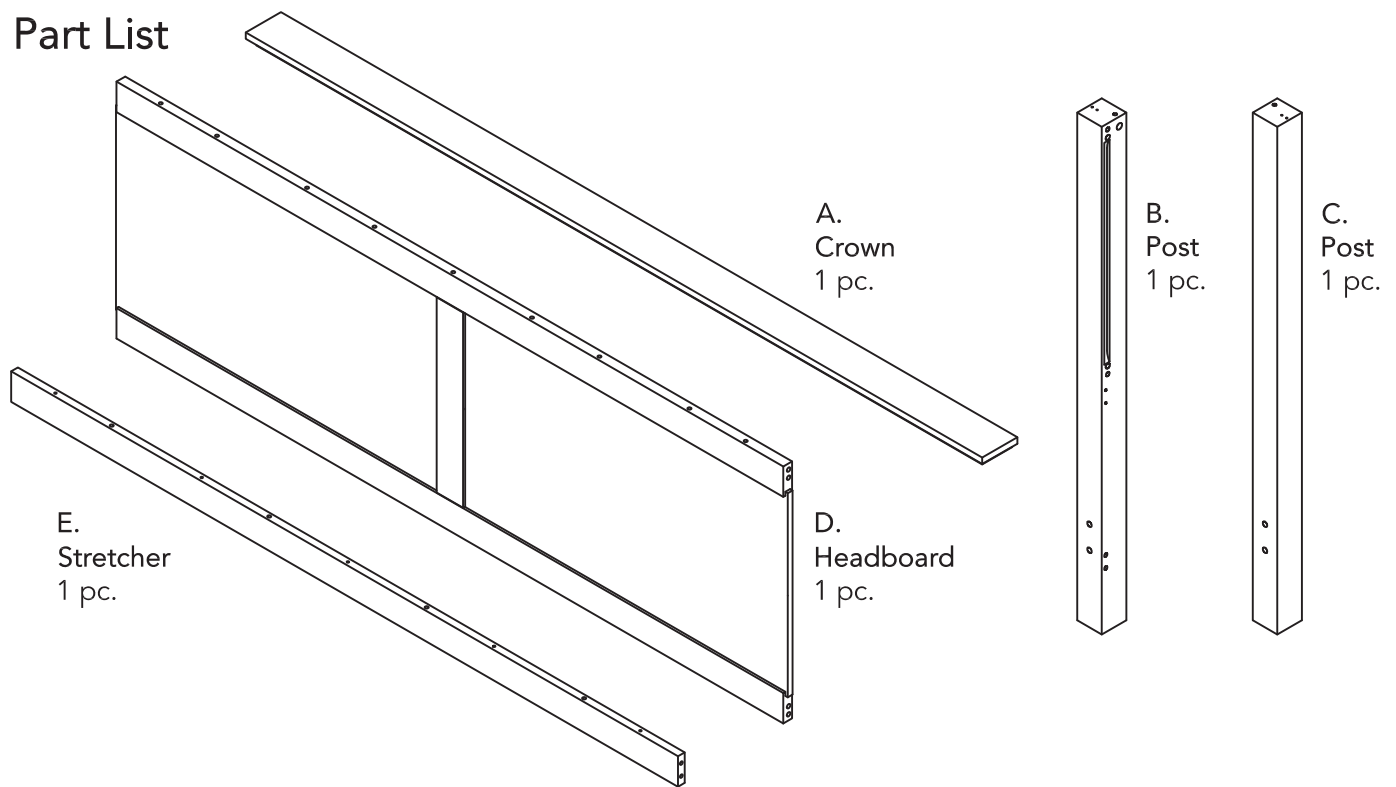
## IMPORTANT

Carefully remove all the parts from the carton and place them individually on a soft cloth to prevent scratches or other damage.

Carefully and strictly follow these assembly instructions to ensure a completed product as designed.


Do not use power tools above 8 volts to assemble.

## Part List



## Hardware List

  
Cam Lock Screw  
16 pcs. (+2 extra)

  
Cam Lock  
16 pcs. (+2 extra)


  
Hex Wrench  
1 pc.

  
Hex Wrench (small)  
1 pc.

  
M6x20  
Head Cap Bolt  
4 pcs. (+1 extra)


  
Spring Washer  
4 pcs. (+1 extra)


  
Flat Washer  
4 pcs. (+1 extra)

  
Corner Plate  
2 pcs.

  
Wrench  
1 pc.

  
5/16"x3 1/8"  
Bolt  
4 pcs. (+1 extra)

  
Square Washer  
4 pcs. (+1 extra)

  
Nut  
4 pcs. (+1 extra)


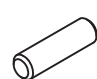
  
M3x16  
5/8" Flat Head Screw  
6 pcs. (+1 extra)

  
Plate  
2 pcs.

  
Dowel (long)  
4 pcs. (+1 extra)

  
Dowel (short)  
8 pcs. (+1 extra)

Tool(s) required for assembly: Phillips screwdriver

homestyles Customer Service: [www.homestylesfurniture.com](http://www.homestylesfurniture.com),  
servicedesk@homestylesfurniture.com, 888-680-7460

# Assembly Instructions 2/6

## IMPORTANT

- Use a soft cloth between these parts and the floor.
- Do not use power tools above 8 volts to assemble.
- Do not tighten all the bolts until each part is properly assembled.
- Keep Wrench and Hex Wrench as the Nuts and Head Cap Bolts may need to be tightened in the future.

## STEP 1

Insert Cam Lock Screws into pre-drilled holes in Crown (A), Posts (B), (C) and Stretcher (E), then tighten.

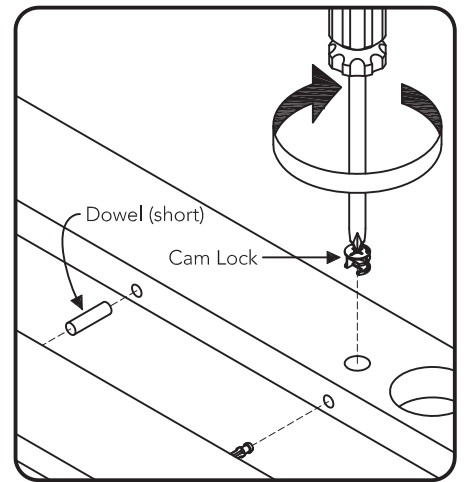
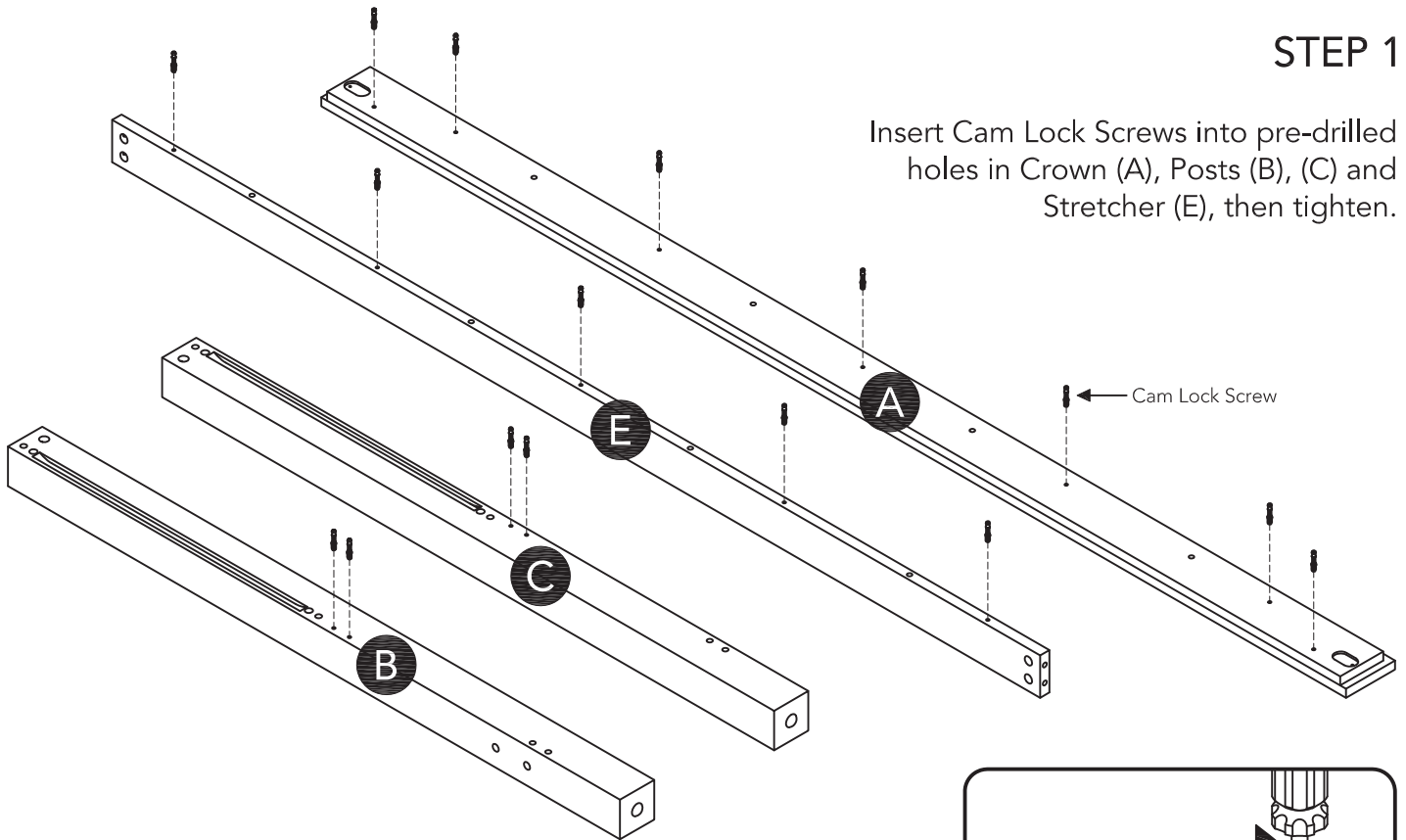
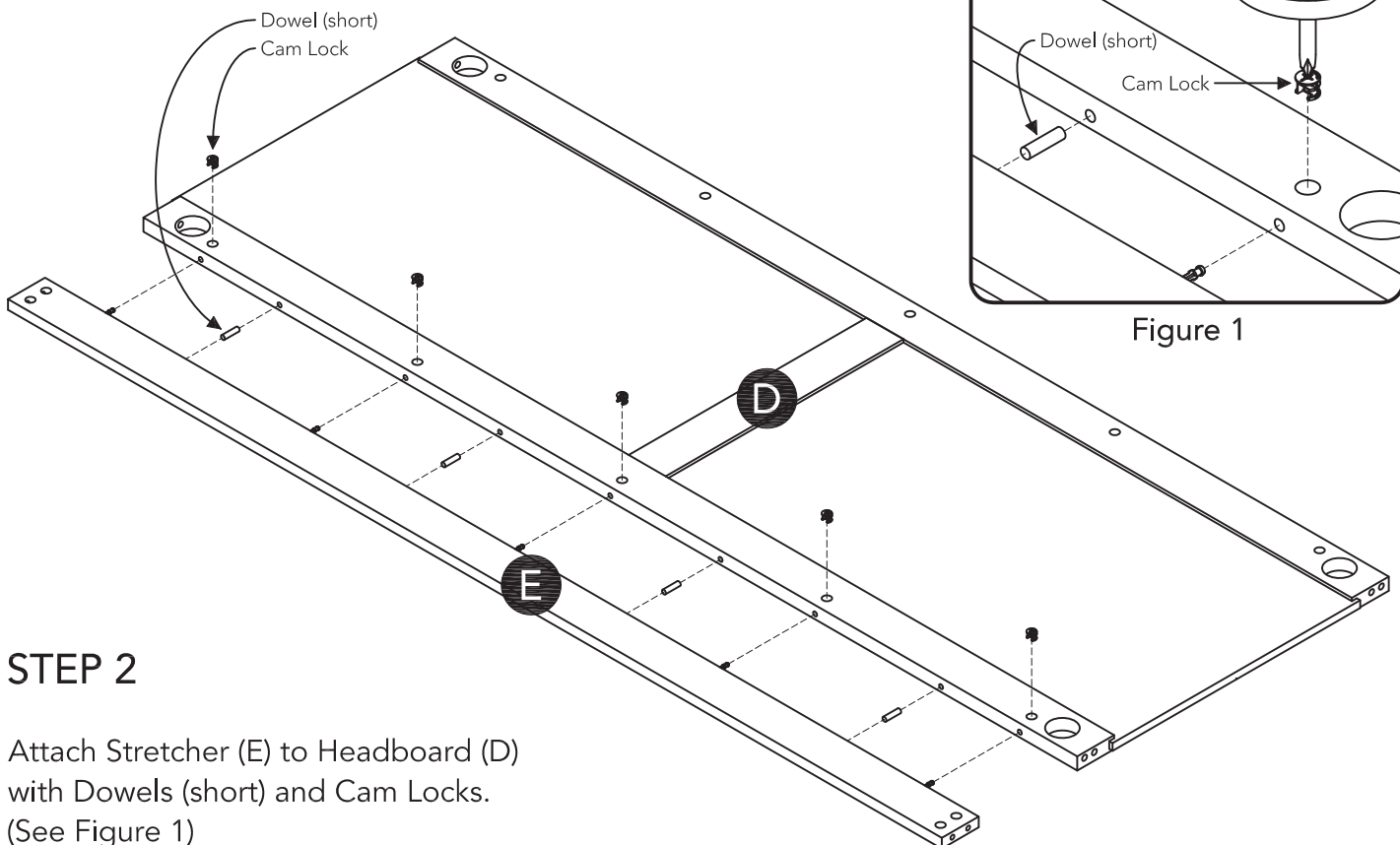


Figure 1



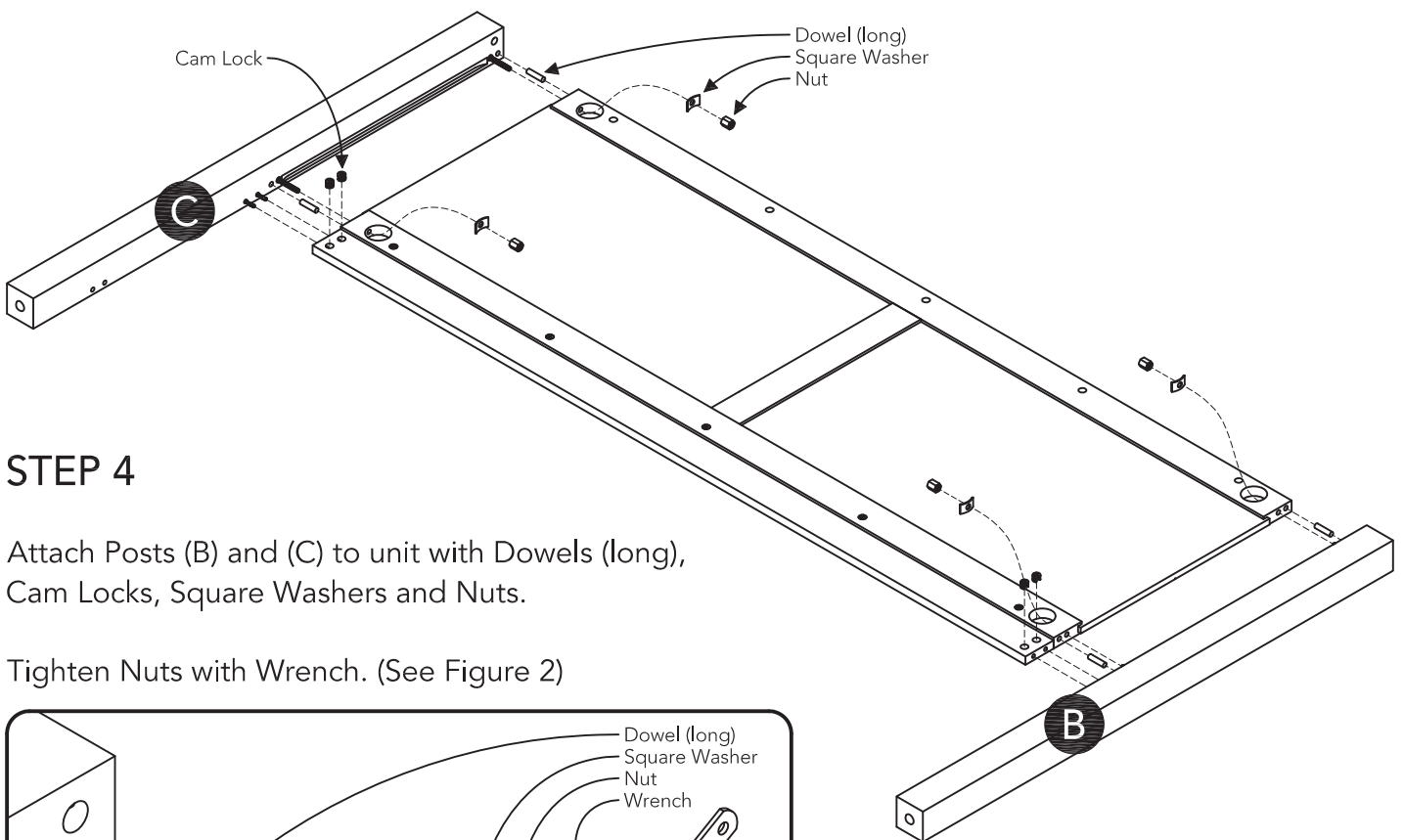
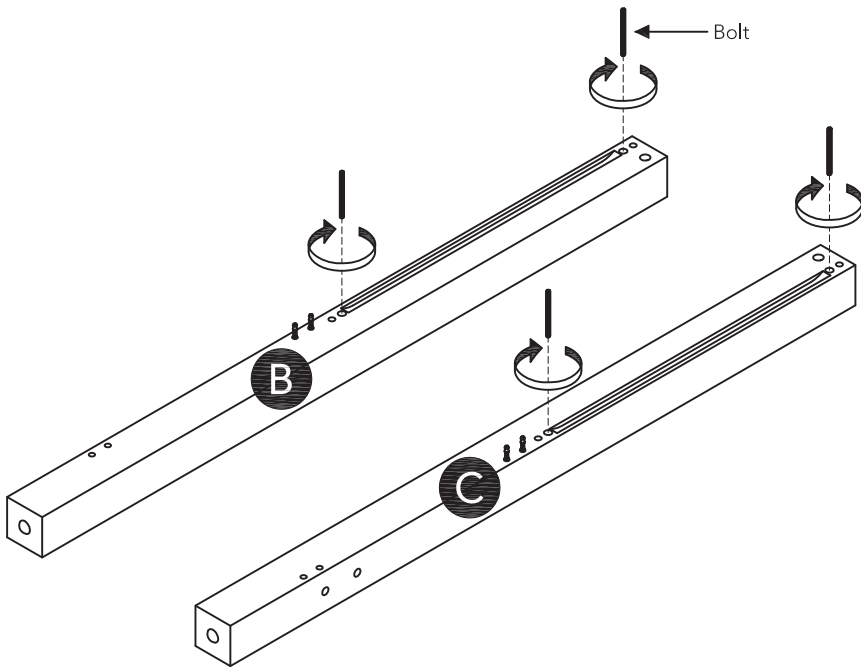
## STEP 2

Attach Stretcher (E) to Headboard (D) with Dowels (short) and Cam Locks. (See Figure 1)

# Assembly Instructions 3/6

## STEP 3

Insert Bolts into pre-drilled holes in Posts (B) and (C), then tighten.



## STEP 4

Attach Posts (B) and (C) to unit with Dowels (long), Cam Locks, Square Washers and Nuts.

Tighten Nuts with Wrench. (See Figure 2)

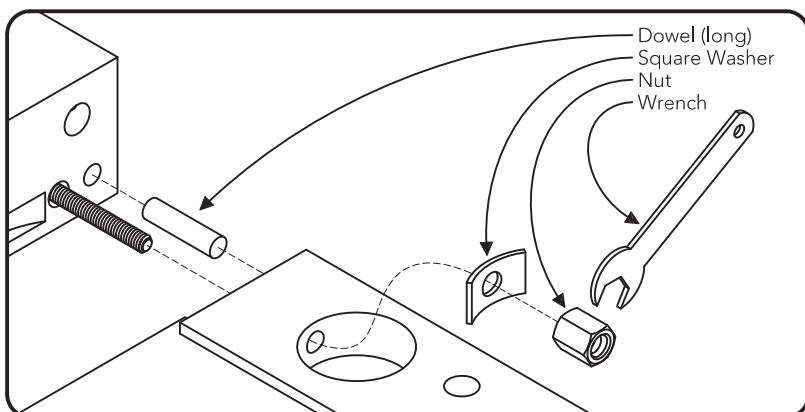


Figure 2

# Assembly Instructions 4/6

## STEP 5

Attach Corner Plates to unit with Flat Washers, Spring Washers and Head Cap Bolts.

Tighten Head Cap Bolts with Hex Wrench. (See Figure 3)

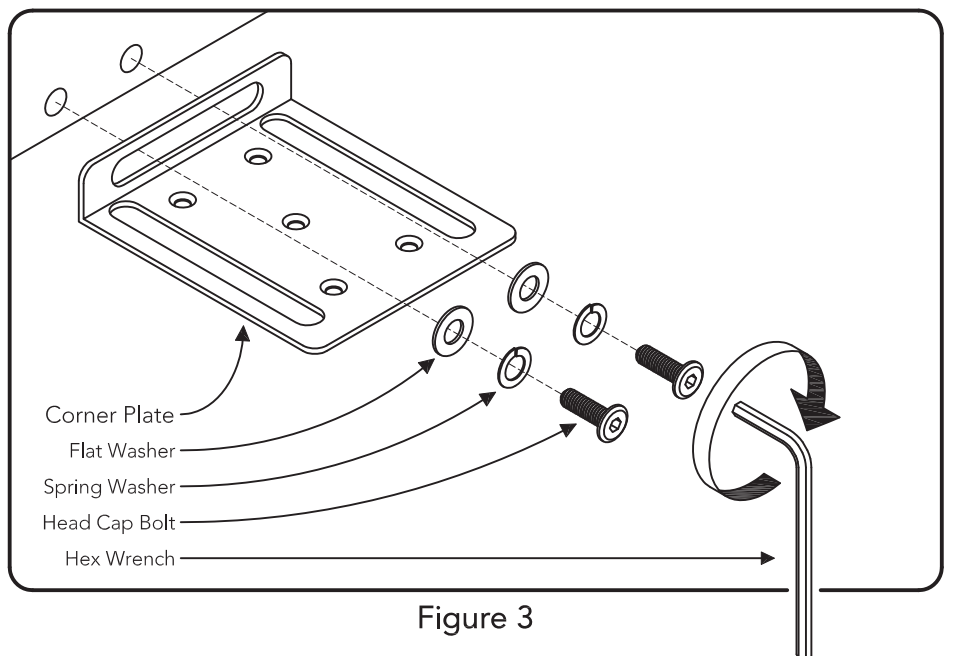
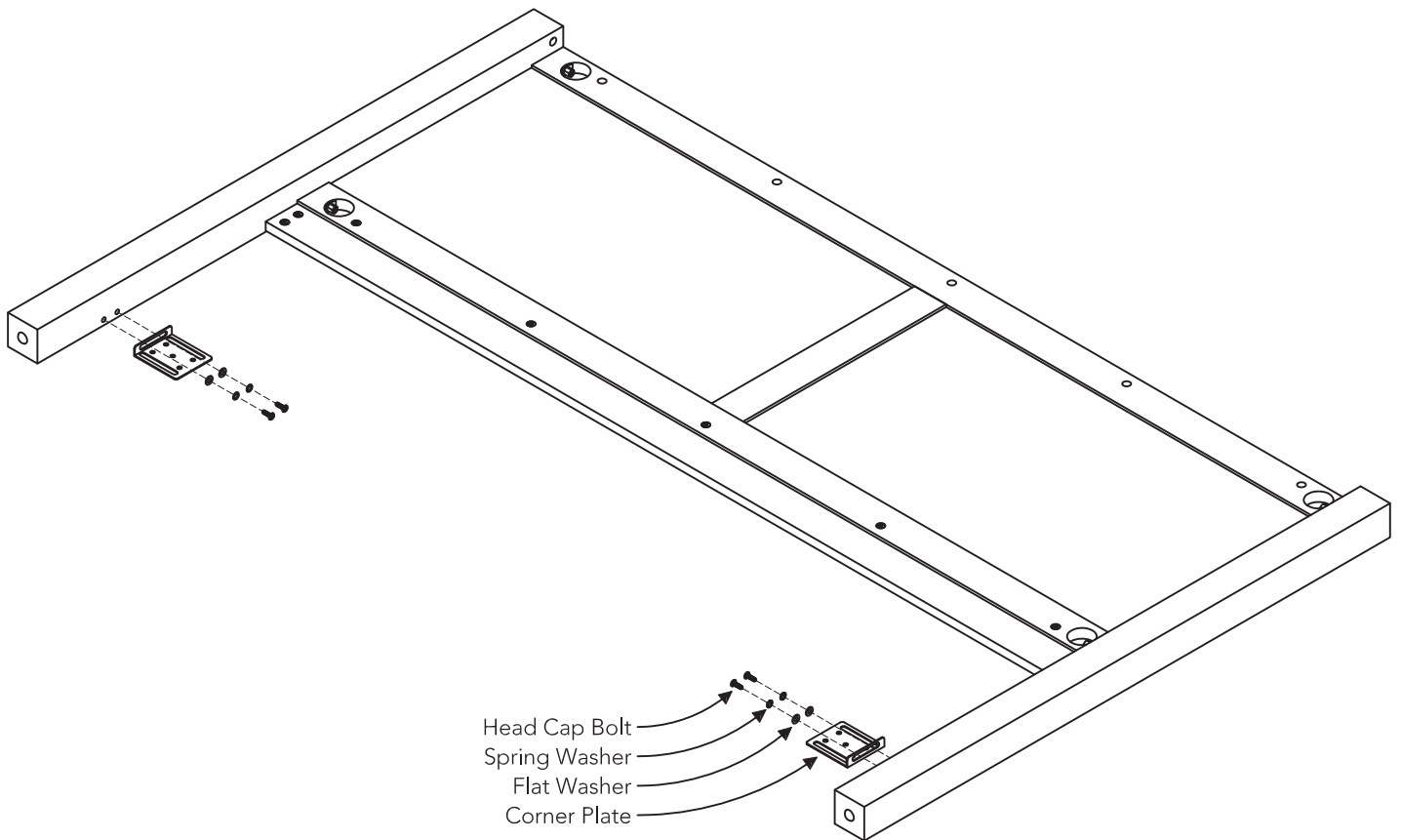


Figure 3

# Assembly Instructions 5/6

## STEP 6

Attach Plates to unit with 5/8" Flat Head Screws.  
(See Figure 4)

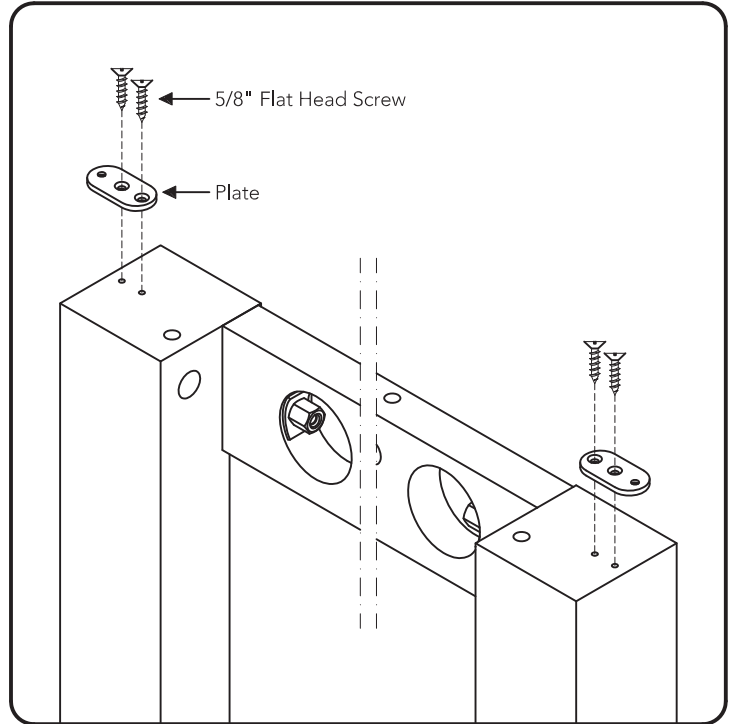
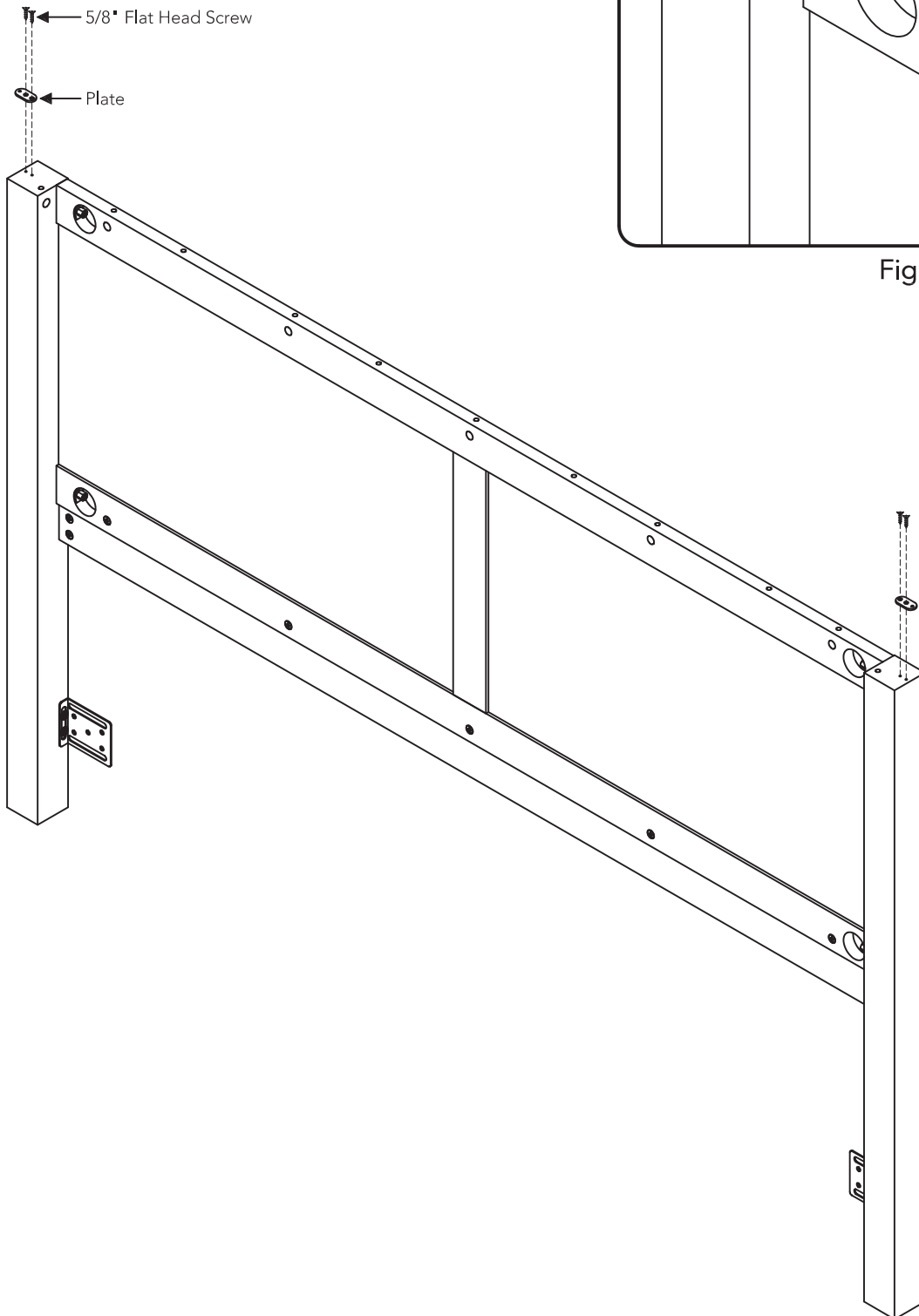
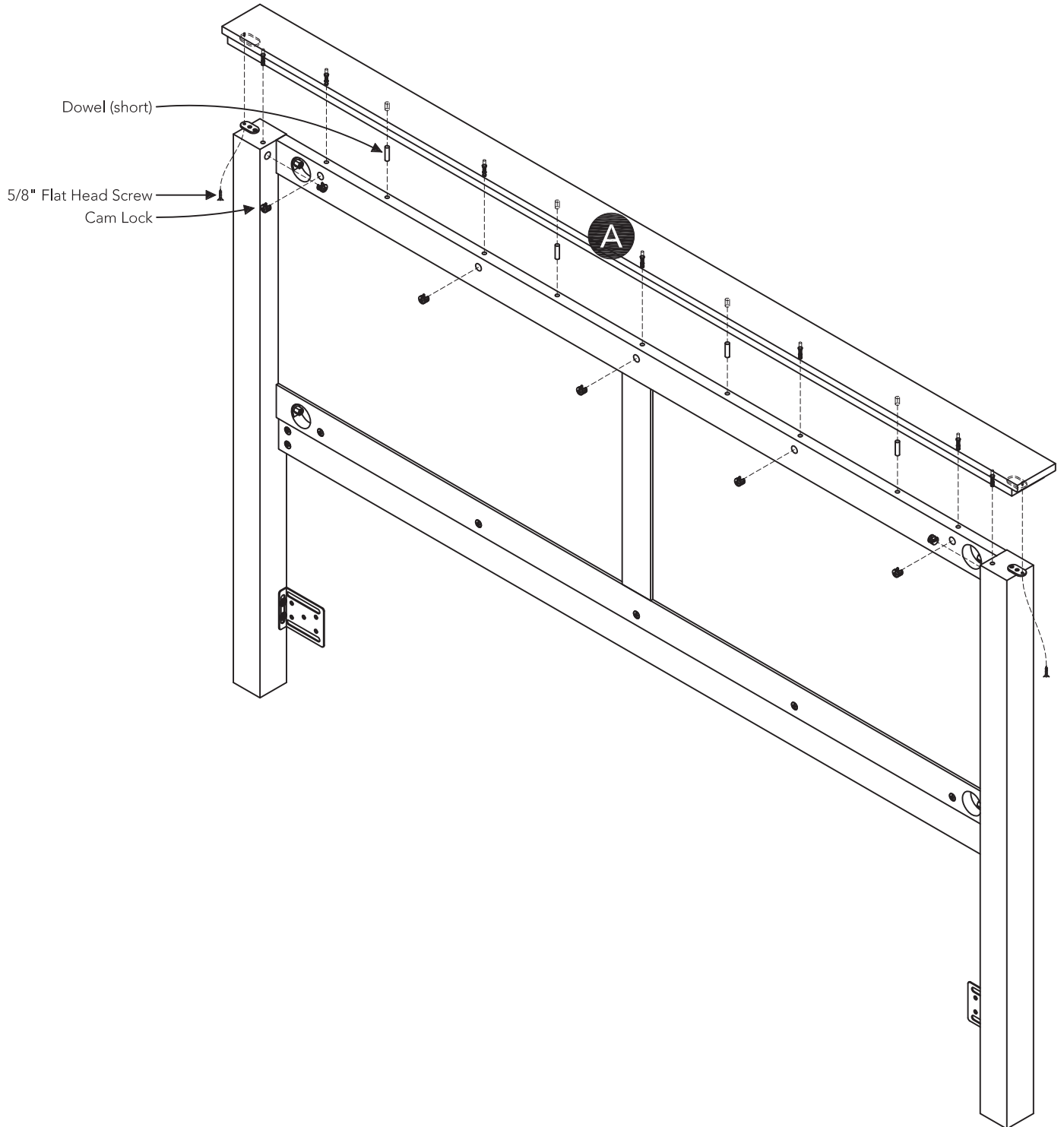


Figure 4

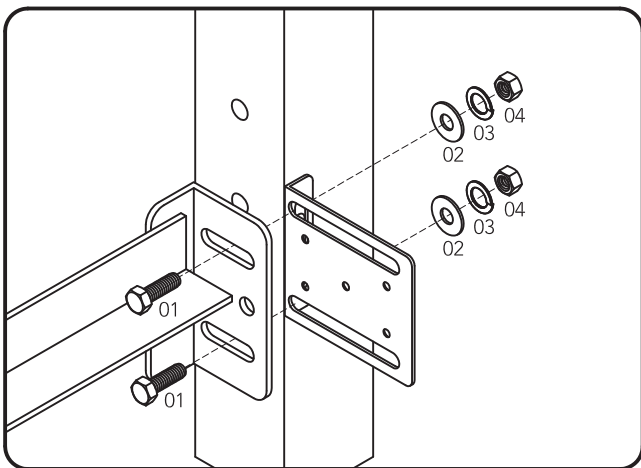
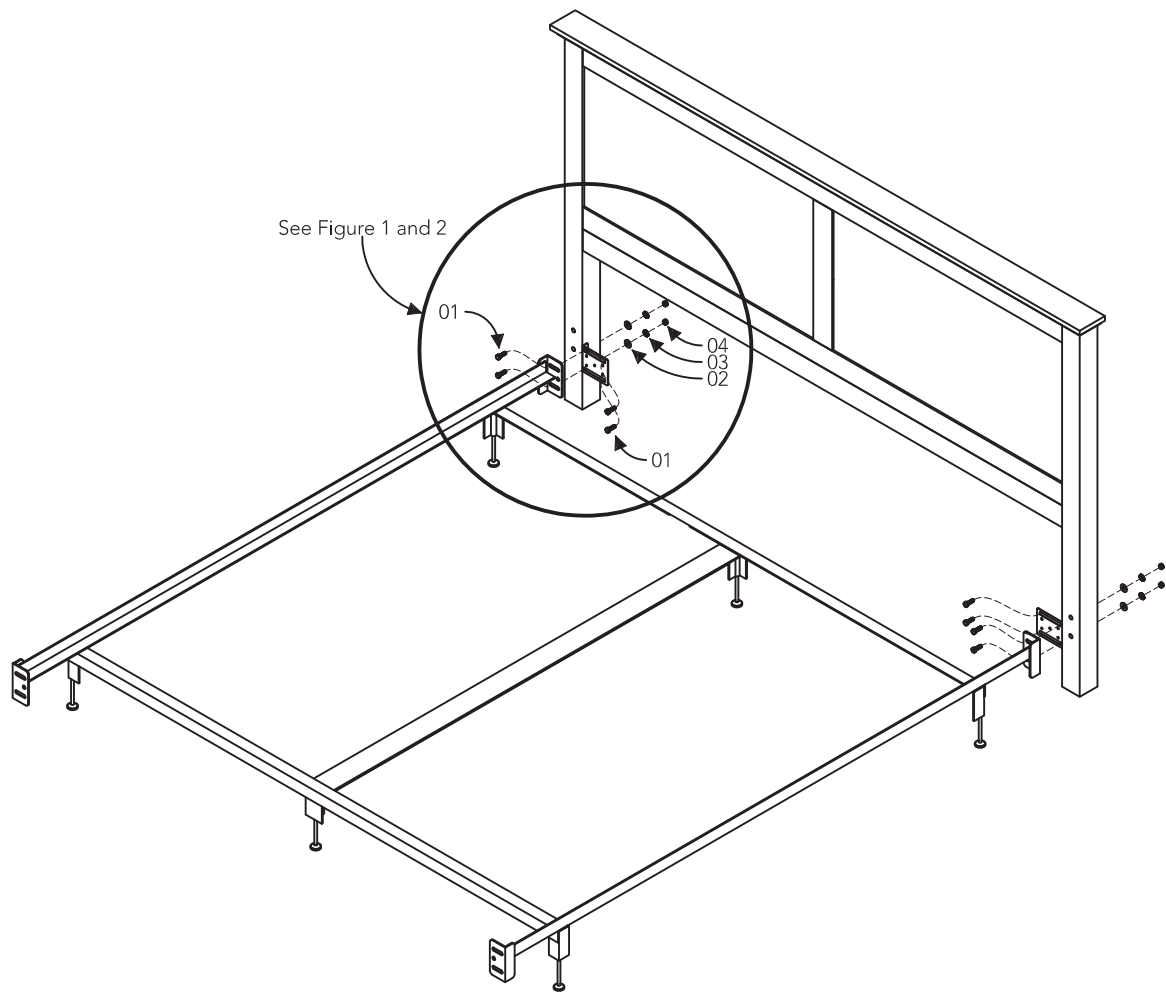
# Assembly Instructions 6/6

## STEP 7

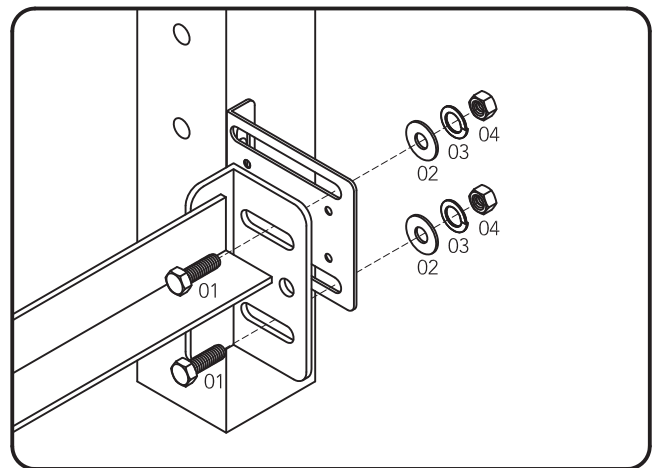
Attach Crown (A) to unit with Dowels (short), Cam Locks and 5/8" Flat Head Screws.



# How to Attach Headboard to Metal Bed Frame



Holes for King Metal Bed Frame.  
(See Figure 1)



Holes for CA King Metal Bed Frame.  
(See Figure 2)

## Hardware List (Not Included)

01  
Machine Screw M8 x 25  
4 pcs.

02  
Flat Washer M8  
4 pcs.

03  
Spring Washer M8  
4 pcs.

04  
Nut M8  
4 pcs.

# CARE INSTRUCTIONS

## NEVER

allow liquids to remain on furniture.  
Absorption causes parts to warp  
and split and finishes to delaminate.

## NEVER

use glass cleaners on  
finished furniture. Ammonia  
chemically attacks the finish.



Do not use power tools  
above 8 volts to assemble.

**PREVENT  
CRACKING**



Do not place  
in direct sunlight.

**PREVENT  
FADING**



Do not write  
directly on surface.

**PREVENT  
MARKING**



Do not place hot  
objects on surface.

**PREVENT  
FINISH DAMAGE**



Do not use rubber  
based placemats.

**PREVENT  
DISCOLORING**



Do not use commercial  
waxes and polishes.

**PREVENT  
YELLOWING**

## CLEAN

with a soft cloth moistened  
in lukewarm soap and water.  
Buff with a dry clean cloth.

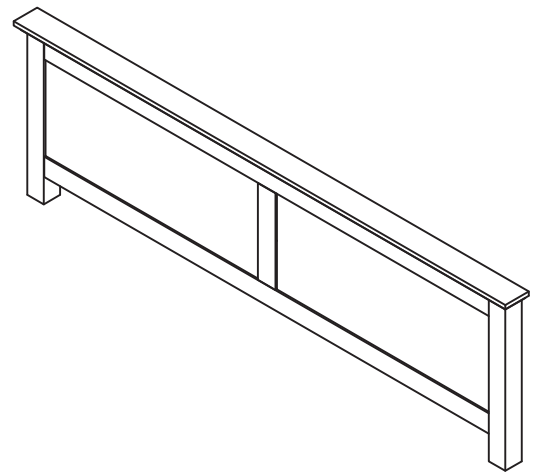


**homestyles** will provide replacements free of charge for missing or damaged parts within 30 days of purchase. Digital images of the defective parts may be required. If the product was not purchased from an authorized retailer, **homestyles** is under no obligation to provide replacement parts. Parts are not available for fully assembled items nor are parts available for sale. Replacements for missing or damaged parts may be requested via contact info below.

**homestyles** Customer Service: [www.homestylesfurniture.com](http://www.homestylesfurniture.com),  
[servicedesk@homestylesfurniture.com](mailto:servicedesk@homestylesfurniture.com), 888-680-7460



# King Footboard



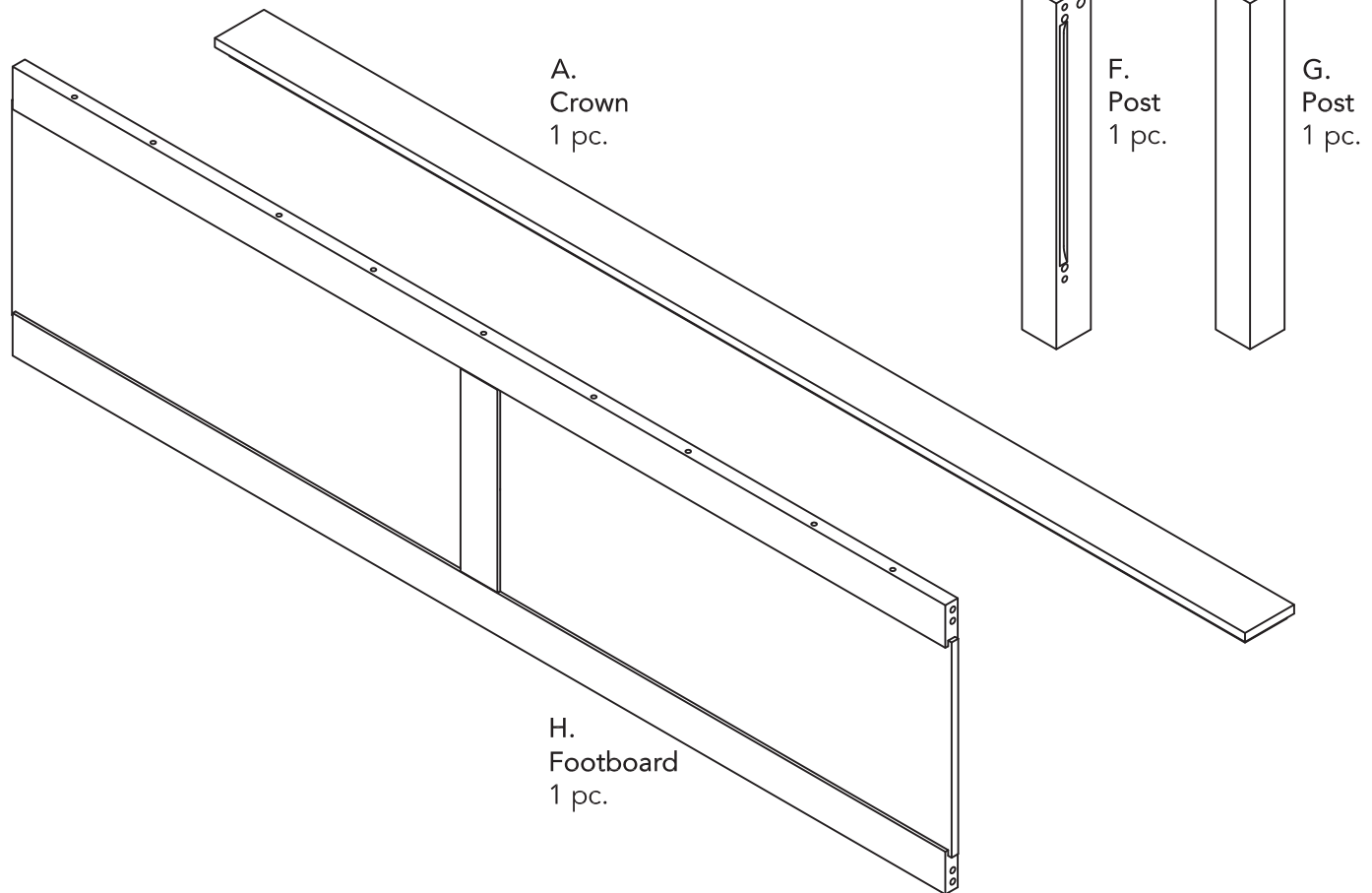
## IMPORTANT

Carefully remove all the parts from the carton and place them individually on a soft cloth to prevent scratches or other damage.

Carefully and strictly follow these assembly instructions to ensure a completed product as designed.

Do not use power tools above 8 volts to assemble.

## Part List



## Hardware List



Cam Lock Screw  
7 pcs. (+2 extra)



Cam Lock  
7 pcs. (+2 extra)



Wrench  
1 pc.



5/16" x 3/8"  
Bolt  
4 pcs. (+1 extra)



Square Washer  
4 pcs. (+1 extra)



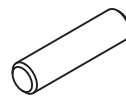
Nut  
4 pcs. (+1 extra)



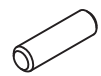
M3x16  
5/8" Flat Head Screw  
6 pcs. (+1 extra)



Plate  
2 pcs.



Dowel (long)  
4 pcs. (+1 extra)



Dowel (short)  
4 pcs. (+1 extra)

Tool(s) required for assembly: Phillips screwdriver

homestyles Customer Service: [www.homestylesfurniture.com](http://www.homestylesfurniture.com),  
[servicedesk@homestylesfurniture.com](mailto:servicedesk@homestylesfurniture.com), 888-680-7460

# Assembly Instructions 2/4

## IMPORTANT

- Use a soft cloth between these parts and the floor.
- Do not use power tools above 8 volts to assemble.
- Do not tighten all the bolts until each part is properly assembled.
- Keep Wrench and Hex Wrench as the Nuts and Head Cap Bolts may need to be tightened in the future.

## STEP 1

Insert Bolts into pre-drilled holes in Posts (F) and (G), then tighten.

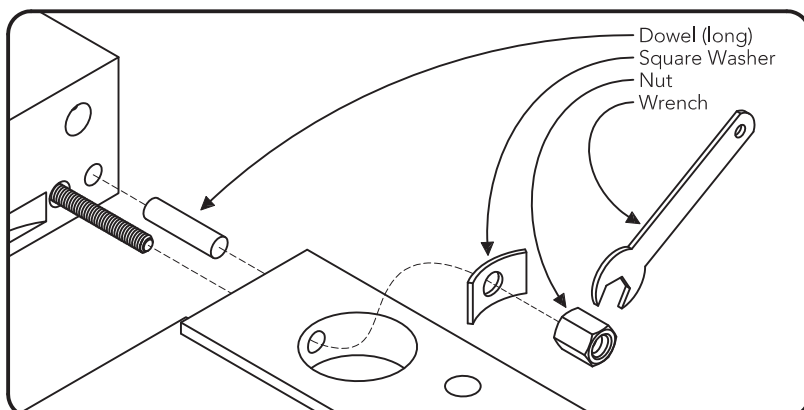
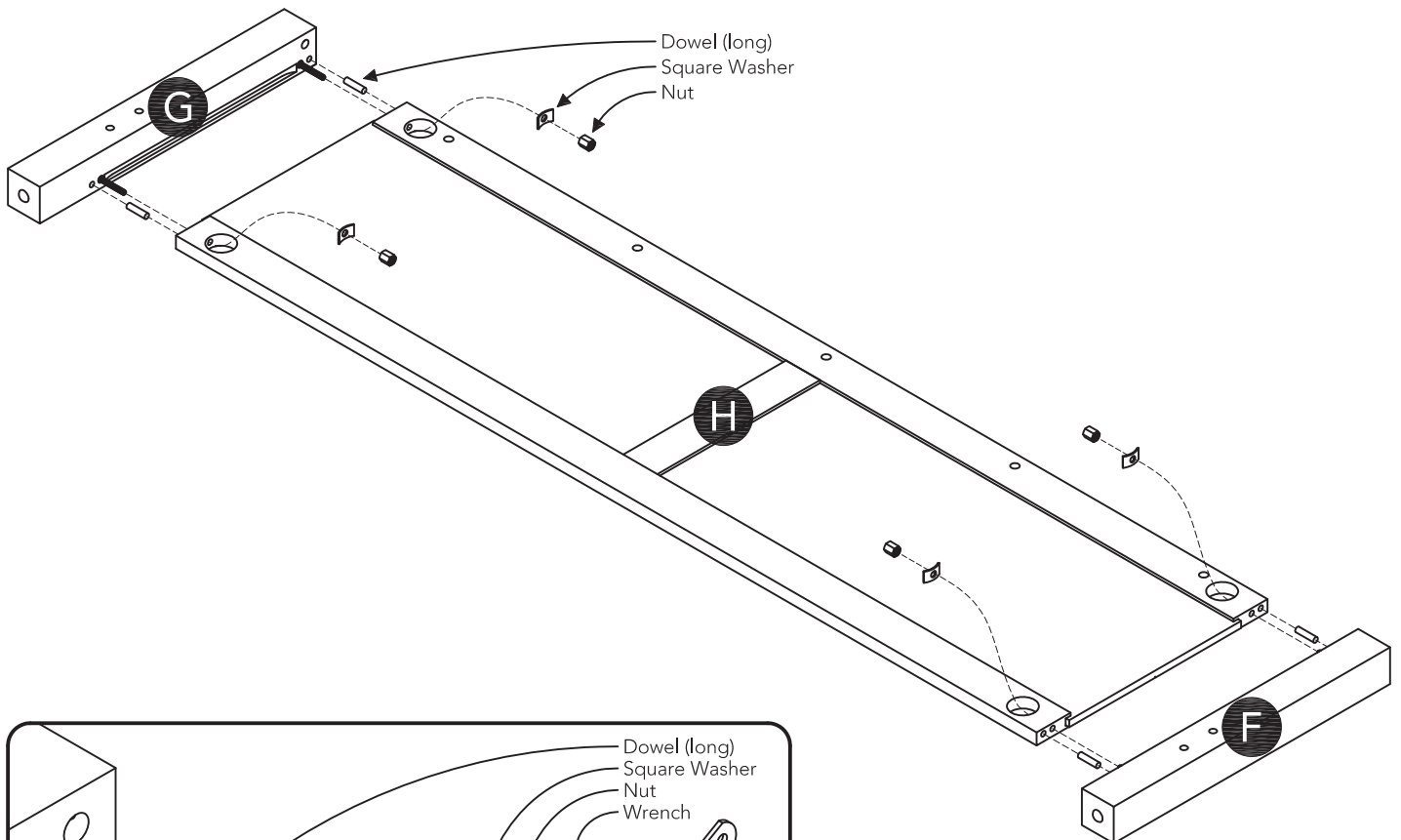
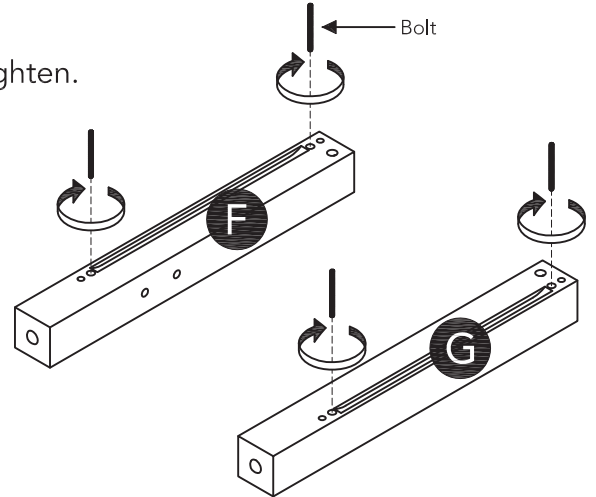


Figure 1

## STEP 2

Attach Posts (F) and (G) to Footboard (H) with Dowels (long), Square Washers and Nuts.

Tighten Nuts with Wrench. (See Figure 1)

# Assembly Instructions 3/4

## STEP 3

Attach Plates to unit with 5/8" Flat Head Screws.  
(See Figure 4)

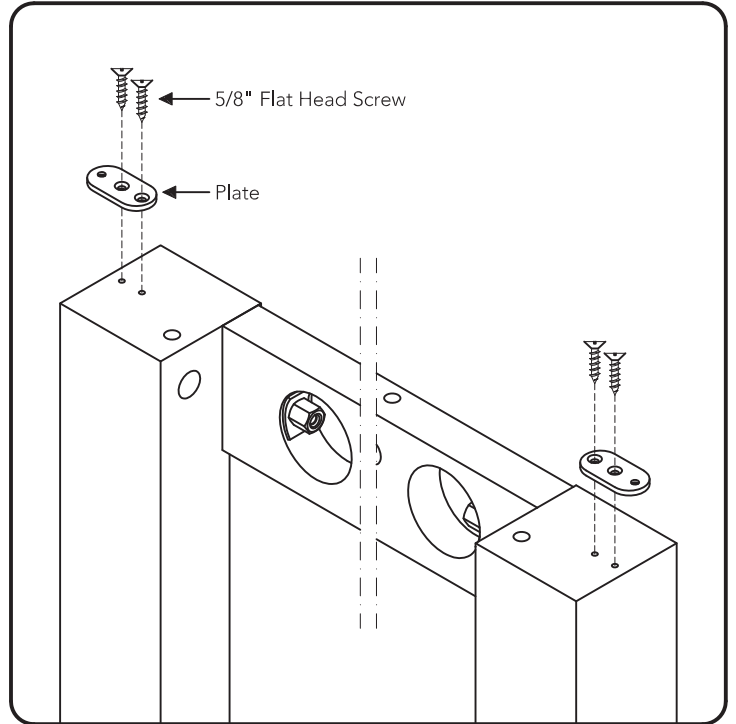
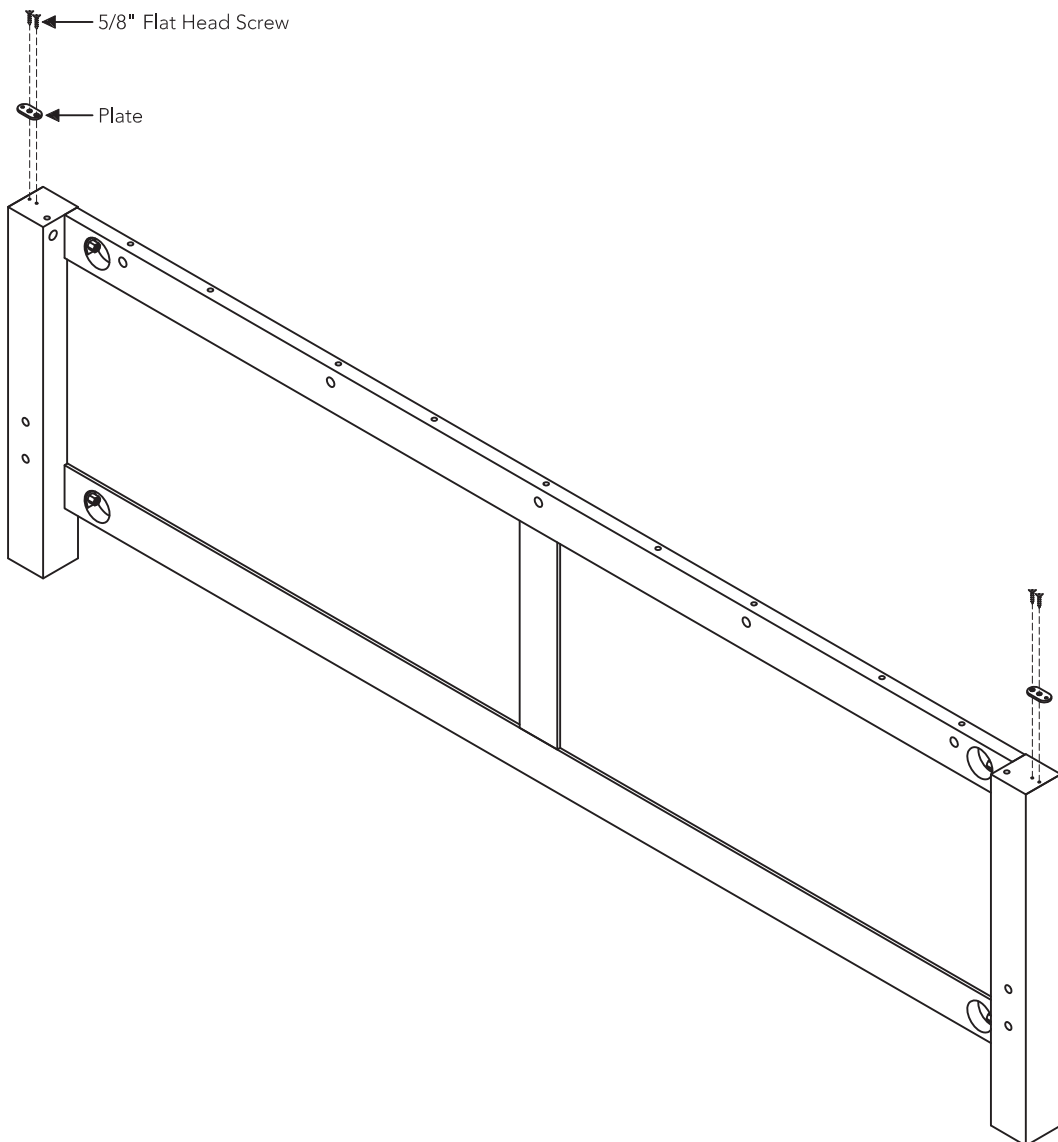


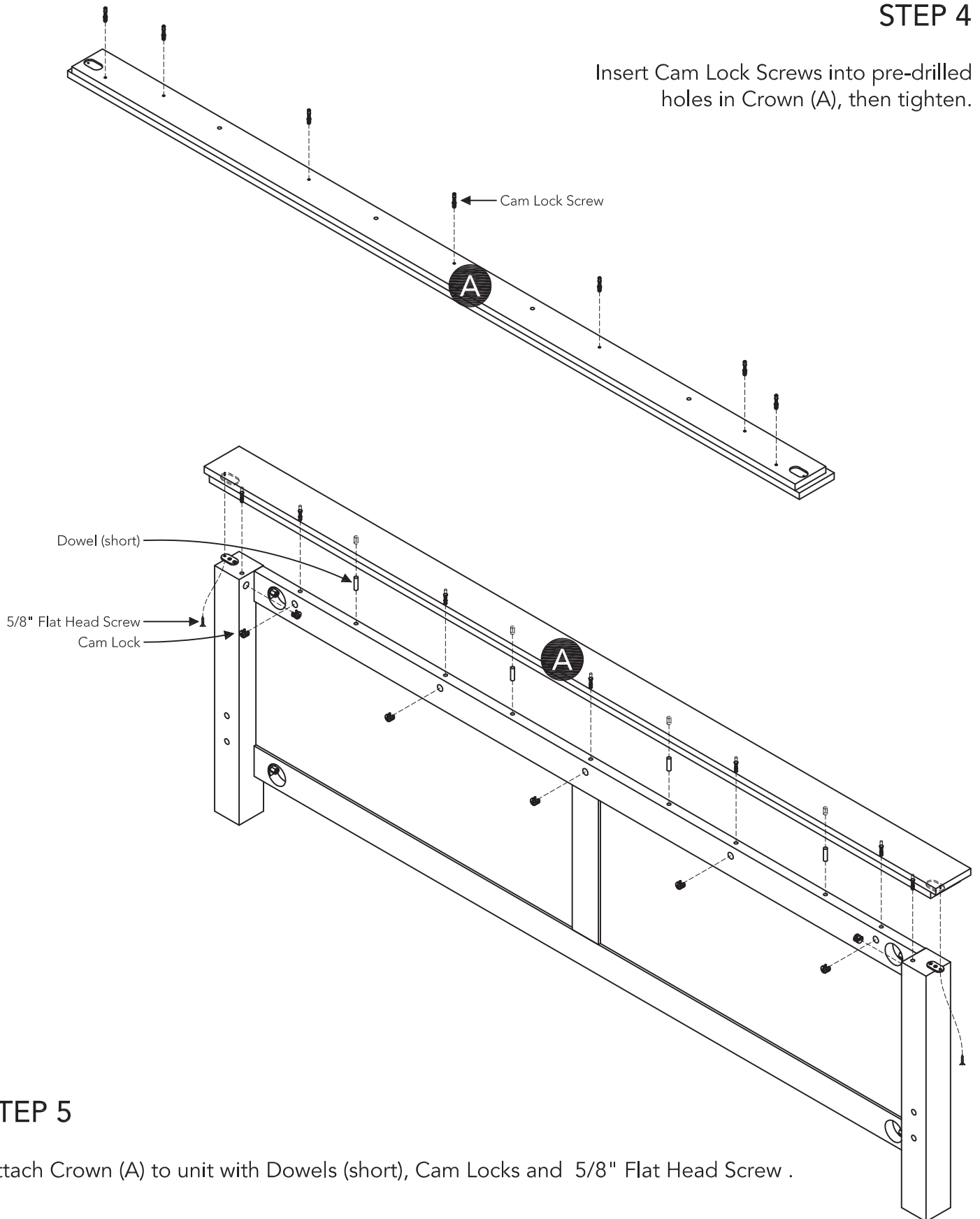
Figure 4



# Assembly Instructions 4/4

## STEP 4

Insert Cam Lock Screws into pre-drilled holes in Crown (A), then tighten.



## STEP 5

Attach Crown (A) to unit with Dowels (short), Cam Locks and 5/8" Flat Head Screw .

# CARE INSTRUCTIONS

## NEVER

allow liquids to remain on furniture.  
Absorption causes parts to warp  
and split and finishes to delaminate.

## NEVER

use glass cleaners on  
finished furniture. Ammonia  
chemically attacks the finish.



Do not use power tools  
above 8 volts to assemble.

**PREVENT  
CRACKING**



Do not place  
in direct sunlight.

**PREVENT  
FADING**



Do not write  
directly on surface.

**PREVENT  
MARKING**



Do not place hot  
objects on surface.

**PREVENT  
FINISH DAMAGE**



Do not use rubber  
based placemats.

**PREVENT  
DISCOLORING**



Do not use commercial  
waxes and polishes.

**PREVENT  
YELLOWING**

## CLEAN

with a soft cloth moistened  
in lukewarm soap and water.  
Buff with a dry clean cloth.



**homestyles** will provide replacements free of charge for missing or damaged parts within 30 days of purchase. Digital images of the defective parts may be required. If the product was not purchased from an authorized retailer, **homestyles** is under no obligation to provide replacement parts. Parts are not available for fully assembled items nor are parts available for sale. Replacements for missing or damaged parts may be requested via contact info below.

**homestyles** Customer Service: [www.homestylesfurniture.com](http://www.homestylesfurniture.com),  
[servicedesk@homestylesfurniture.com](mailto:servicedesk@homestylesfurniture.com), 888-680-7460

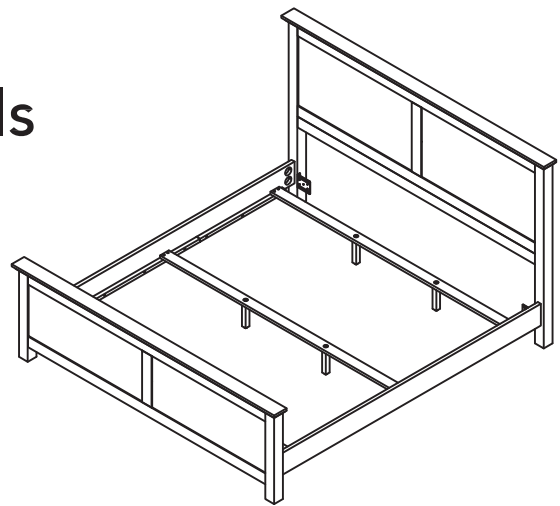
# King Bed Rails

## IMPORTANT

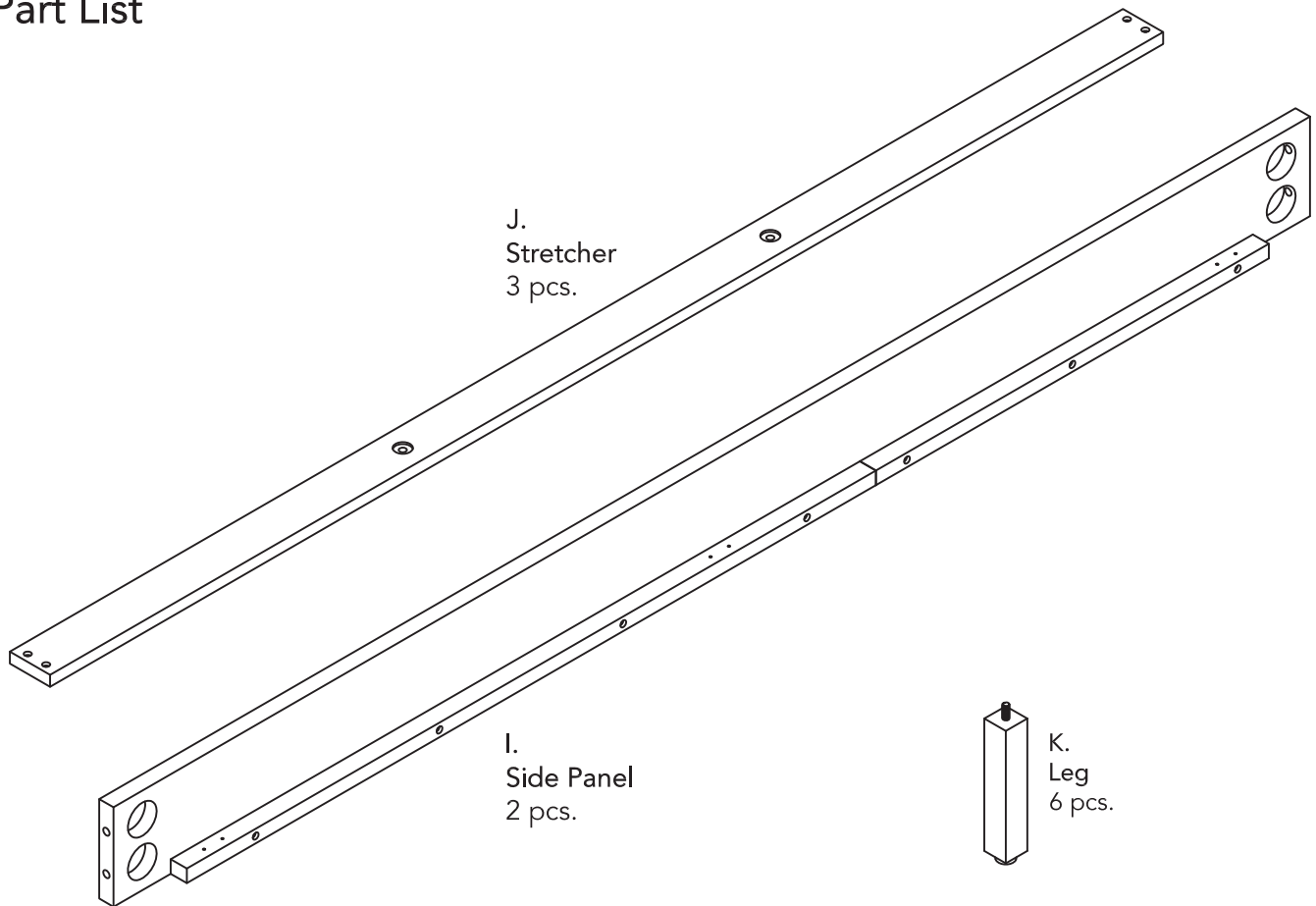
Carefully remove all the parts from the carton and place them individually on a soft cloth to prevent scratches or other damage.

Carefully and strictly follow these assembly instructions to ensure a completed product as designed.

Do not use power tools above 8 volts to assemble.



## Part List



## Hardware List



5/16"x3 1/8"  
Bolt  
8 pcs. (+1 extra)



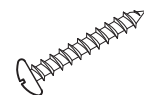
Square Washer  
8 pcs. (+1 extra)



Nut  
8 pcs. (+1 extra)



Wrench  
1 pc.



M4x25  
Wood Screw  
12 pcs. (+1 extra)

Cartons 5911-601 and 602 are also needed for assembly.

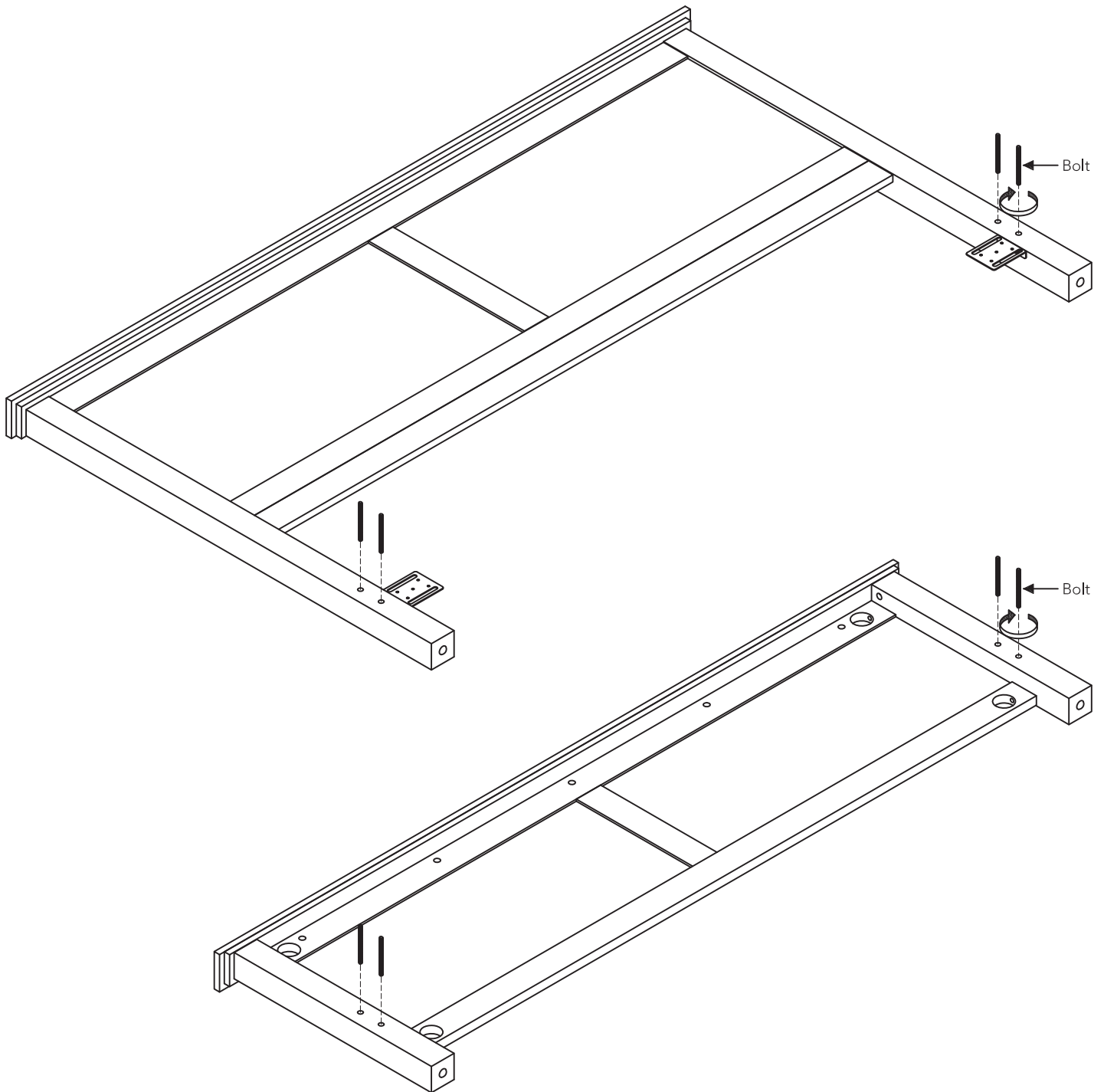
Tool(s) required for assembly: Phillips screwdriver, Level

homestyles Customer Service: [www.homestylesfurniture.com](http://www.homestylesfurniture.com),  
[servicedesk@homestylesfurniture.com](mailto:servicedesk@homestylesfurniture.com), 888-680-7460

## Assembly Instructions 2/3

### IMPORTANT

- Use a soft cloth between these parts and the floor.
- Do not use power tools above 8 volts to assemble.
- Do not tighten all the screws until each part is properly assembled.
- Keep Wrench as the Nuts may need to be tightened in the future.
- Do not slide bed on floor. To move assembled bed requires two people. Remove any bedding, then lift and carry bed.



### STEP 1

Insert Bolts into pre-drilled holes in Headboard and Footboard, then tighten.

## Assembly Instructions 3/3

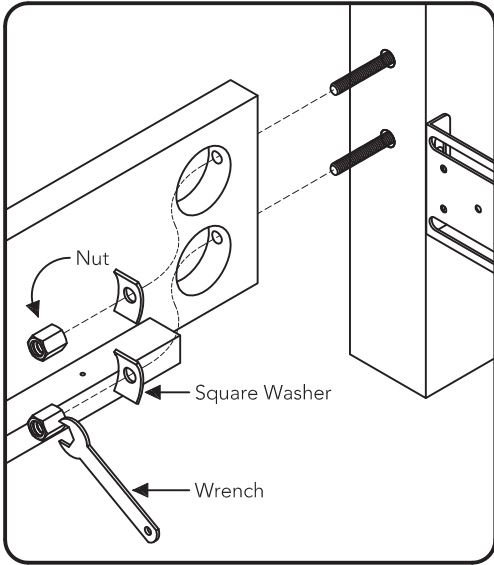
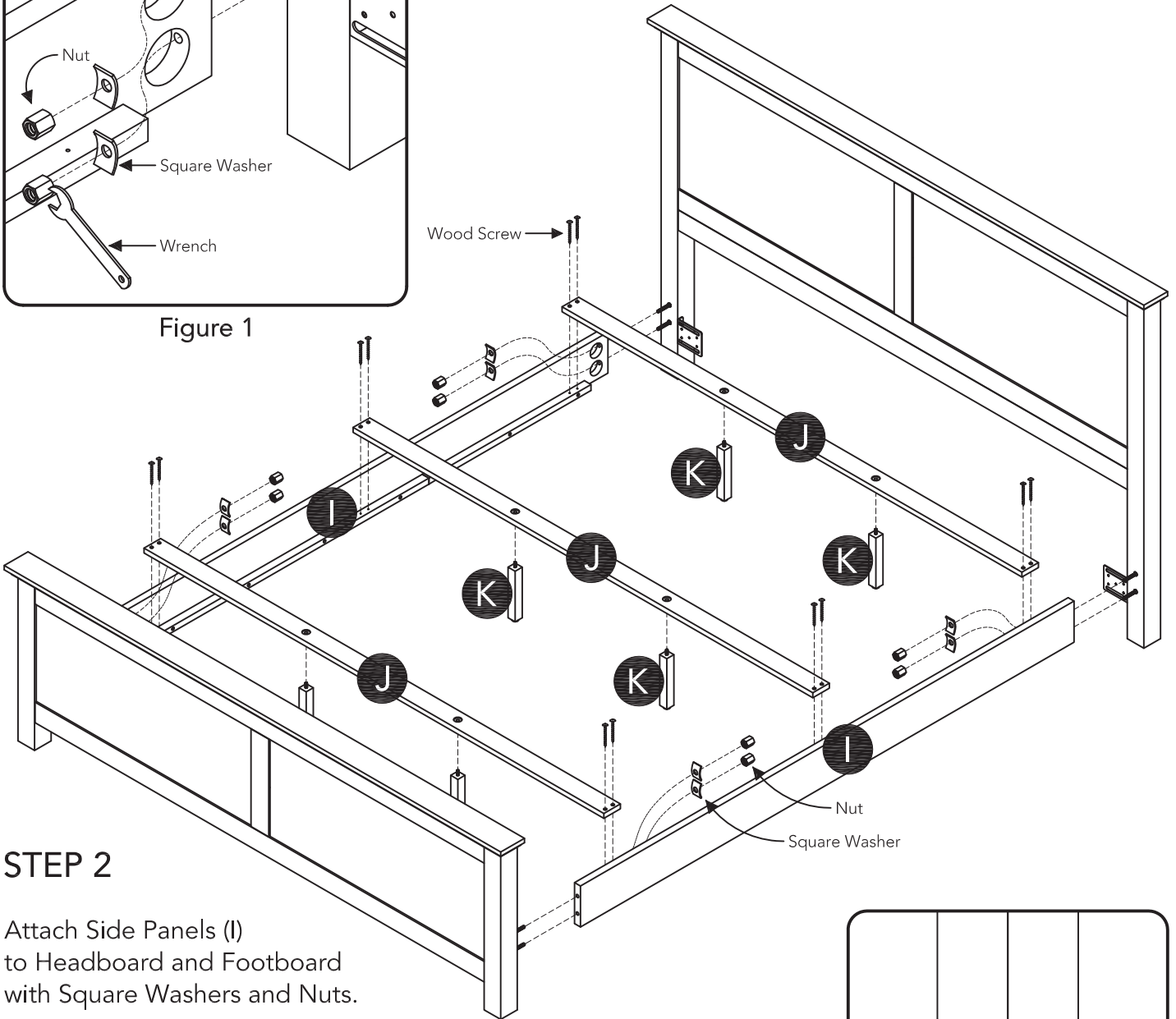


Figure 1



### STEP 2

Attach Side Panels (I) to Headboard and Footboard with Square Washers and Nuts.

Tighten all Nuts with Wrench. (See Figure 1)

Insert Legs (K) into pre-drilled holes in Stretches (J), then tighten.

Attach Stretches (J) to unit with Wood Screws into pre-drilled holes.

Level unit by adjusting the adjustable levelers on bottom of legs. (See Figure 2)

Note: Unit must be level to work properly.

Note: Do not slide bed on floor. To move assembled bed requires two people. Remove any bedding, then lift and carry bed.

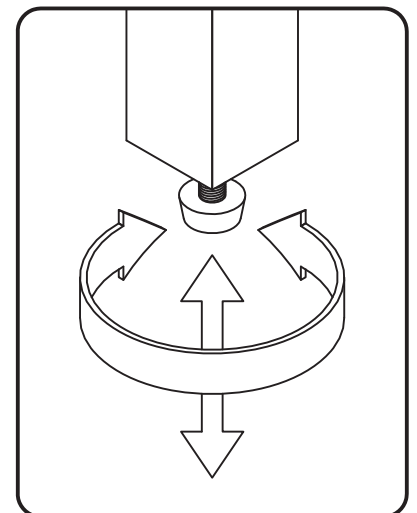


Figure 2



# CARE INSTRUCTIONS

## NEVER

allow liquids to remain on furniture.  
Absorption causes parts to warp  
and split and finishes to delaminate.

## NEVER

use glass cleaners on  
finished furniture. Ammonia  
chemically attacks the finish.



Do not use power tools  
above 8 volts to assemble.

**PREVENT  
CRACKING**



Do not place  
in direct sunlight.

**PREVENT  
FADING**



Do not write  
directly on surface.

**PREVENT  
MARKING**



Do not place hot  
objects on surface.

**PREVENT  
FINISH DAMAGE**



Do not use rubber  
based placemats.

**PREVENT  
DISCOLORING**



Do not use commercial  
waxes and polishes.

**PREVENT  
YELLOWING**

## CLEAN

with a soft cloth moistened  
in lukewarm soap and water.  
Buff with a dry clean cloth.



**homestyles** will provide replacements free of charge for missing or damaged parts within 30 days of purchase. Digital images of the defective parts may be required. If the product was not purchased from an authorized retailer, **homestyles** is under no obligation to provide replacement parts. Parts are not available for fully assembled items nor are parts available for sale. Replacements for missing or damaged parts may be requested via contact info below.

**homestyles** Customer Service: [www.homestylesfurniture.com](http://www.homestylesfurniture.com),  
[servicedesk@homestylesfurniture.com](mailto:servicedesk@homestylesfurniture.com), 888-680-7460