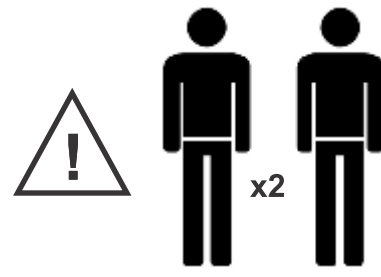
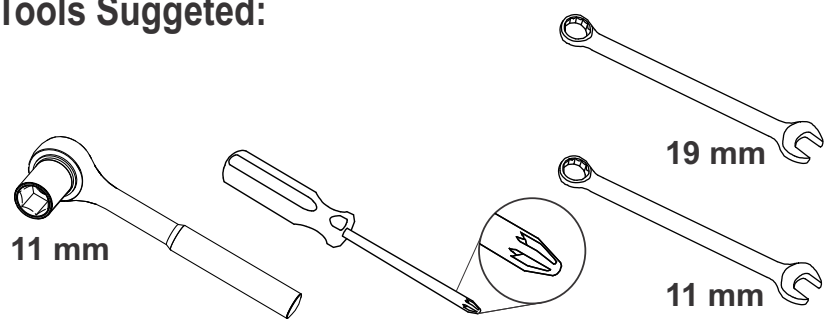
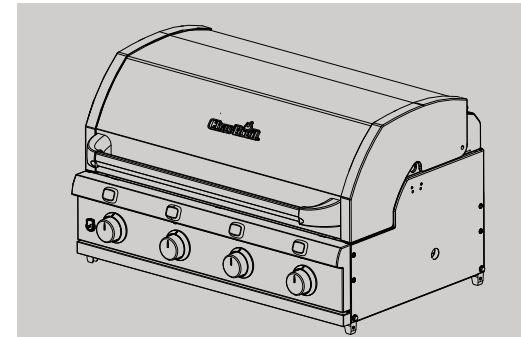
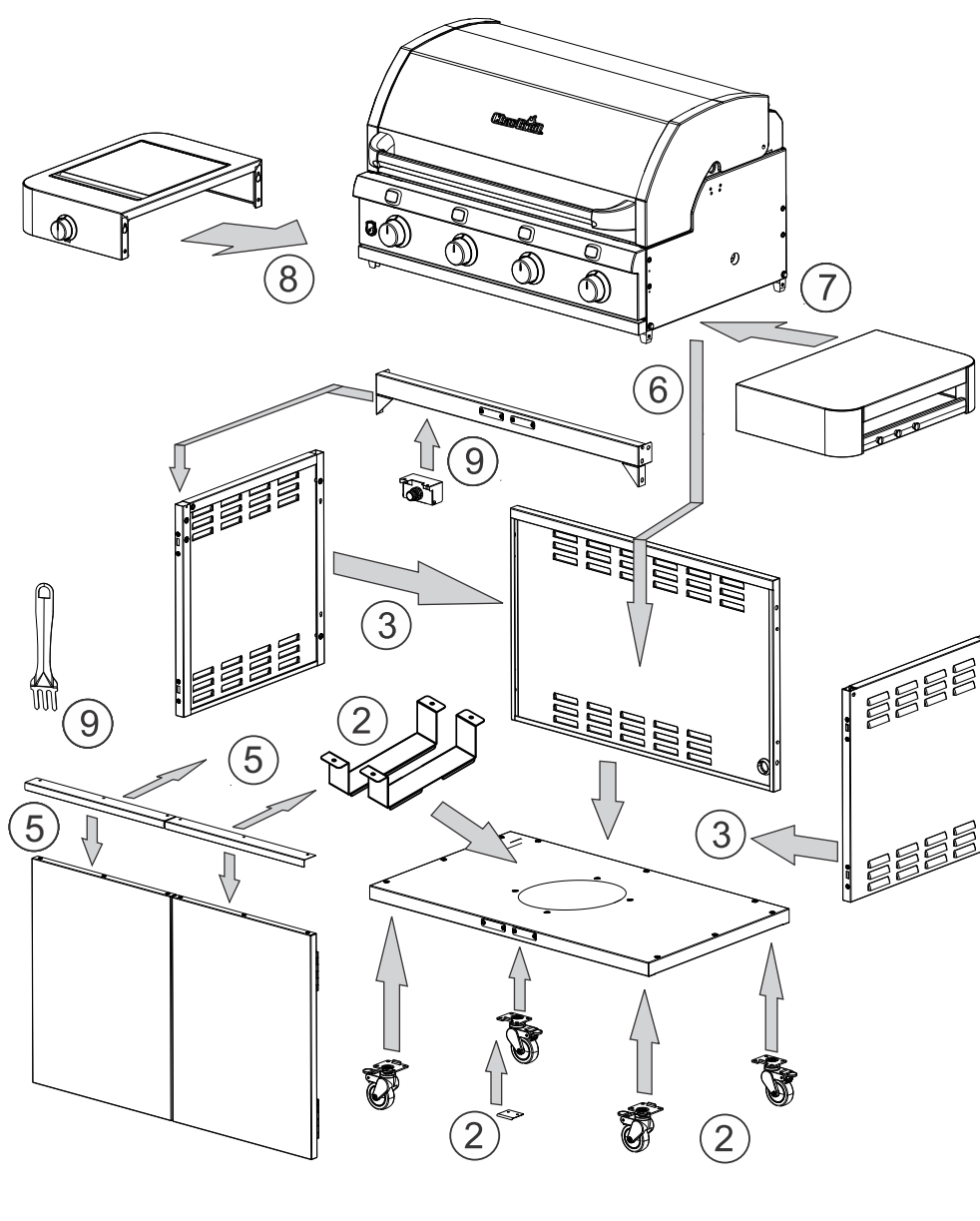
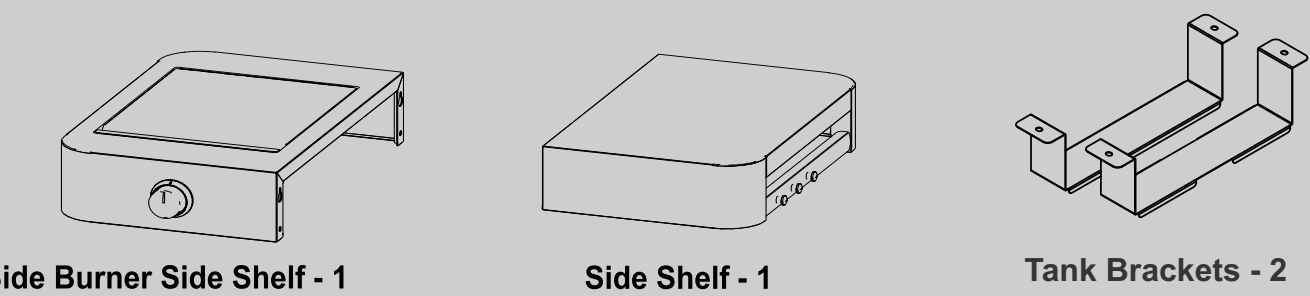
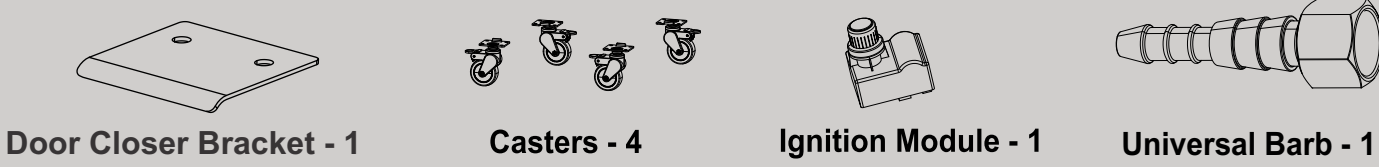


Tools Suggested:



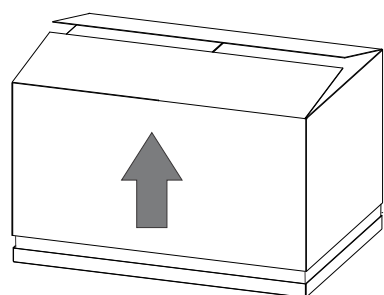
NOTE: Assemble your grill on a clean, level surface.



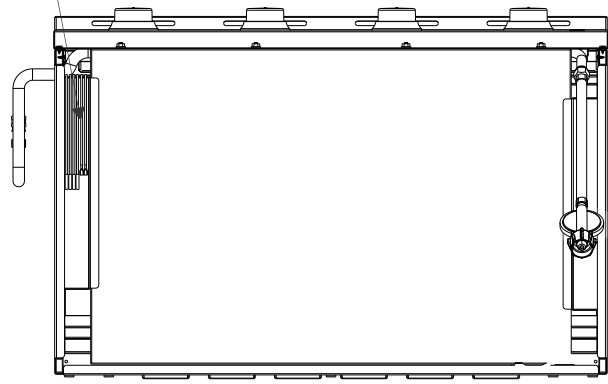
Firebox Assembly - 1

1

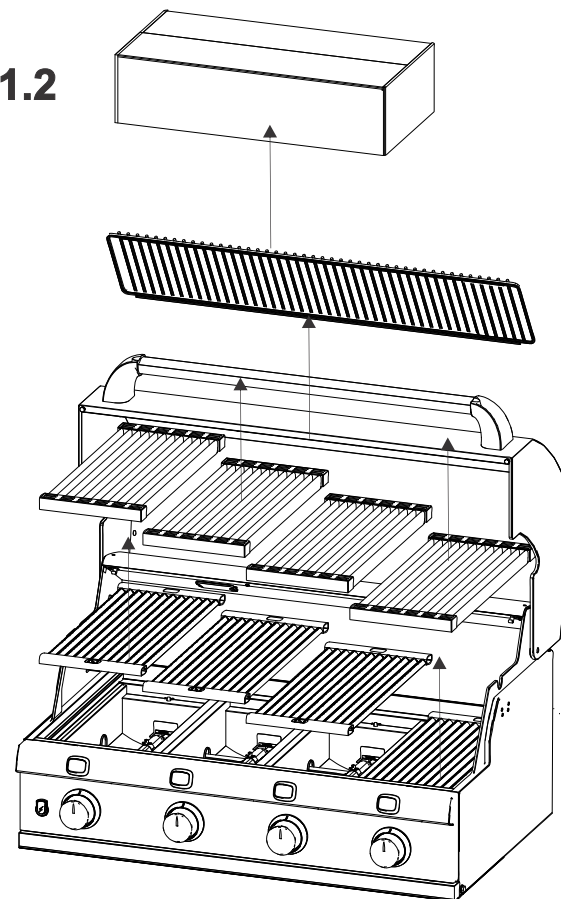
1.1



E.I. Module Step 9.2

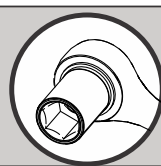


1.2

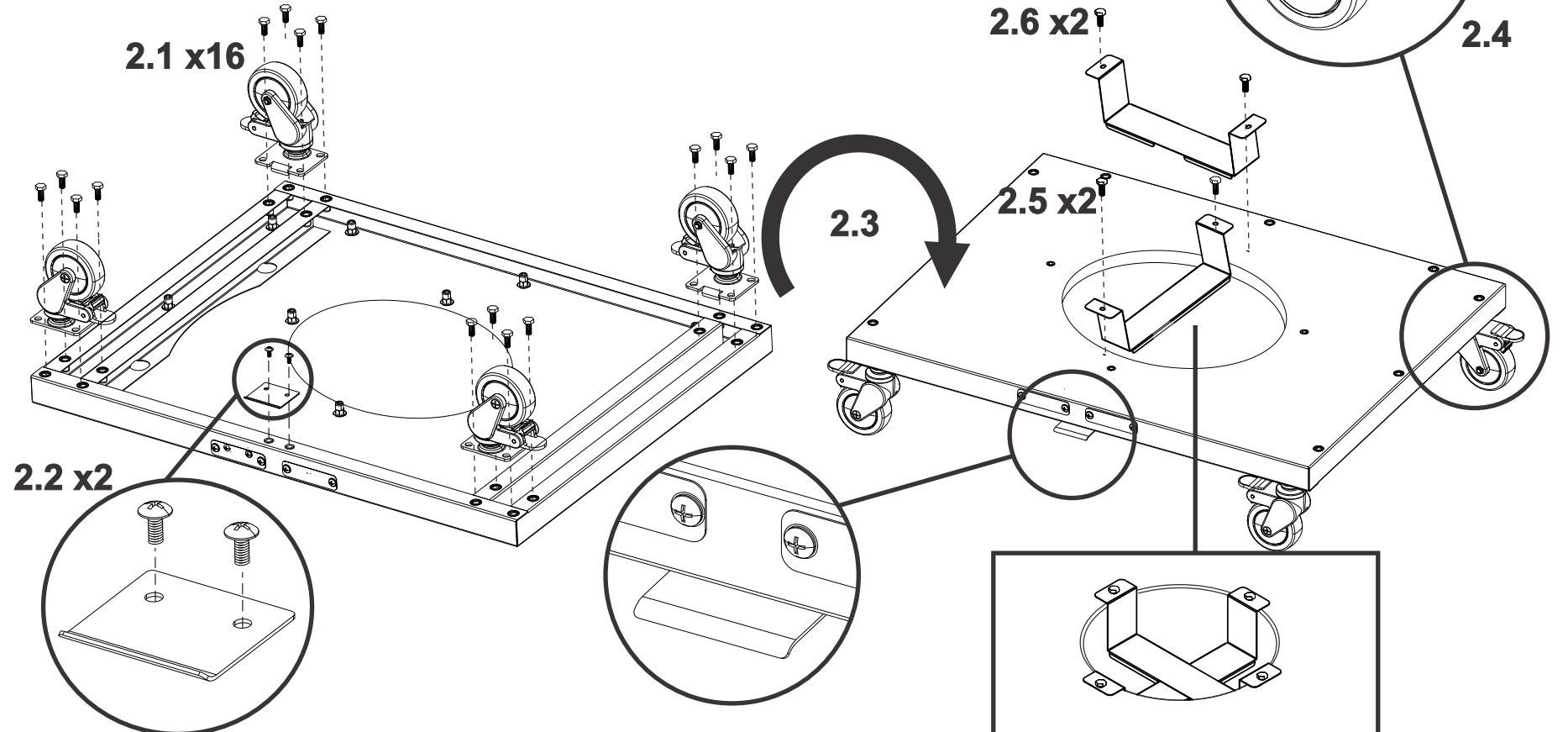
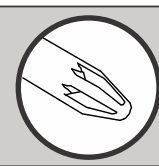


2

20 -



2 -

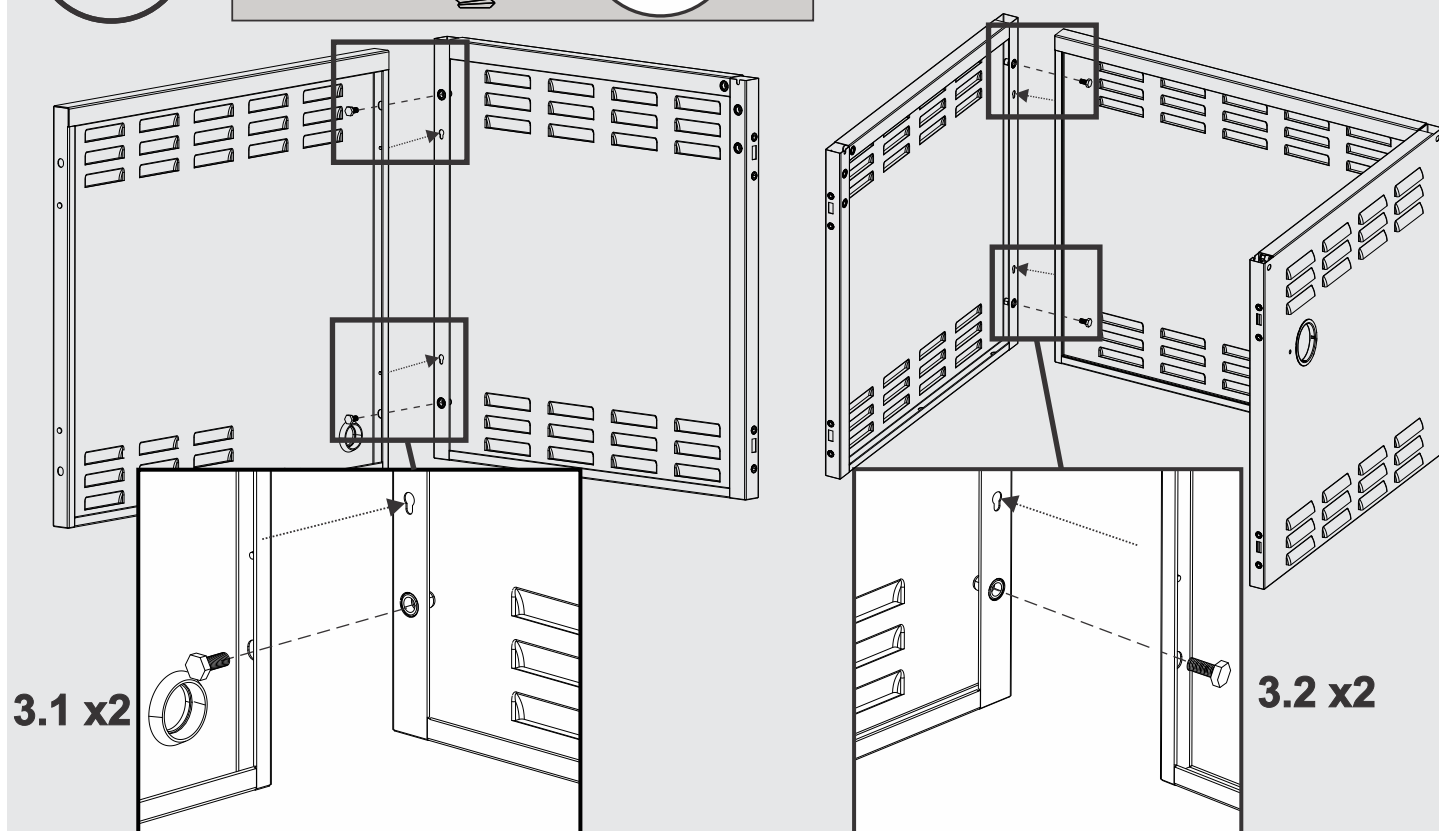


3

4 -



HAND TIGHTEN ONLY!



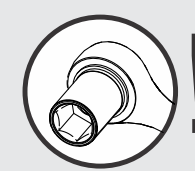
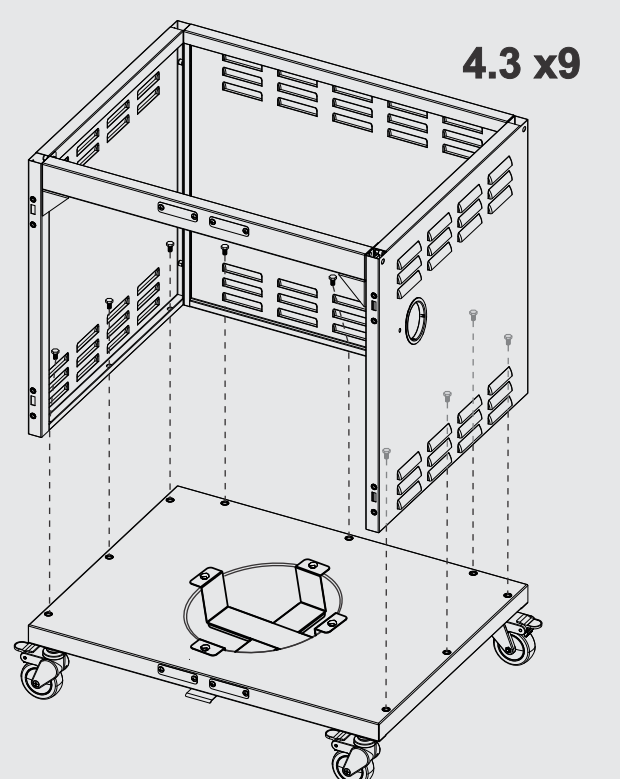
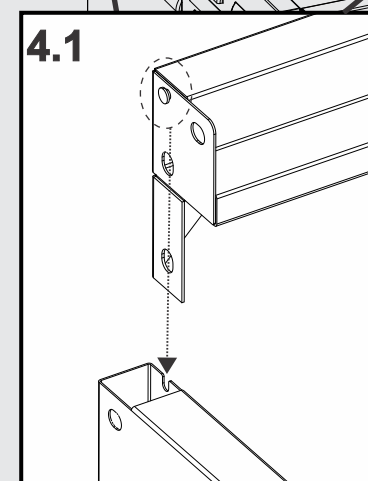
4

15 -

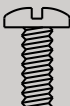



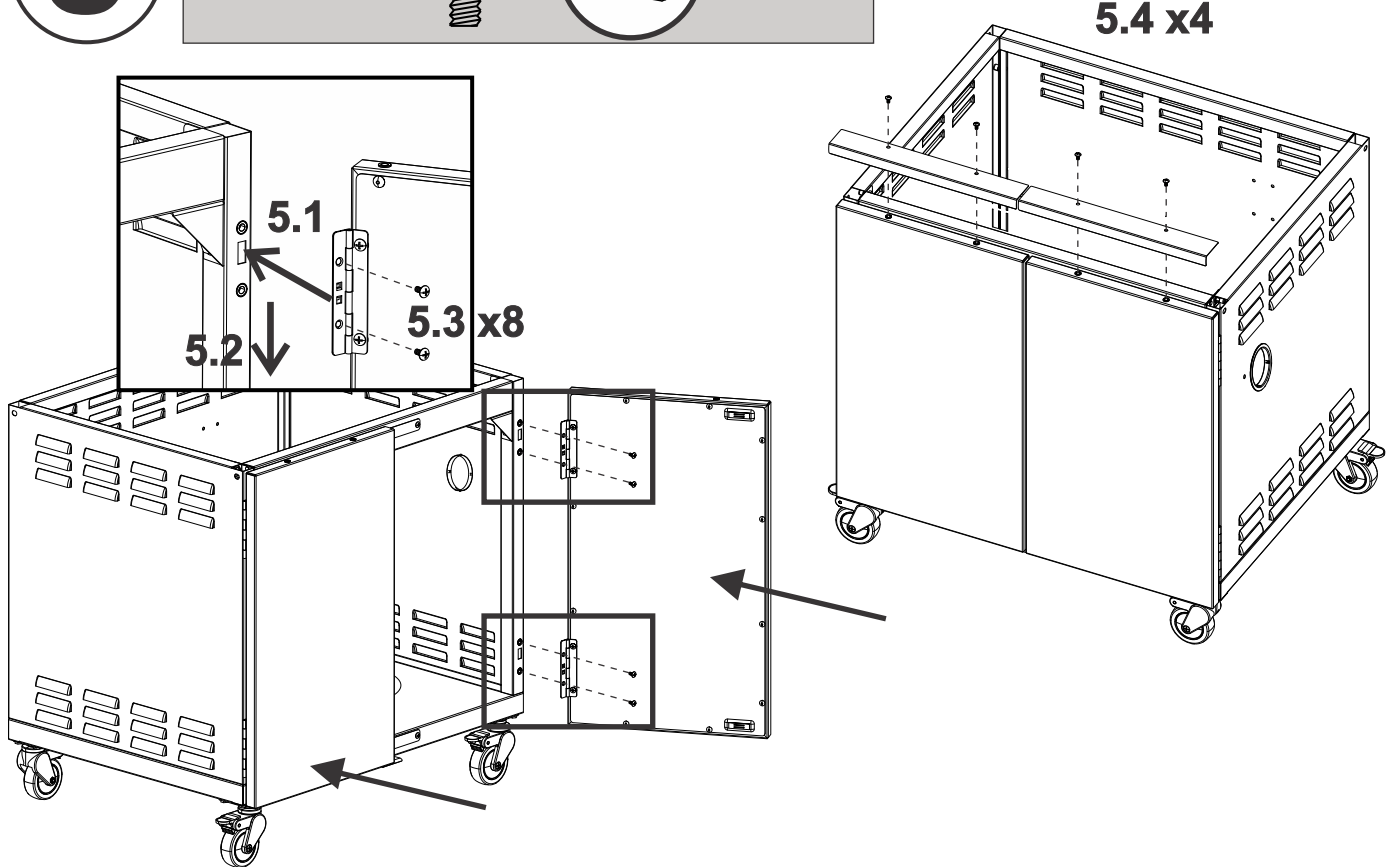
4.2 x6



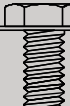

4.1

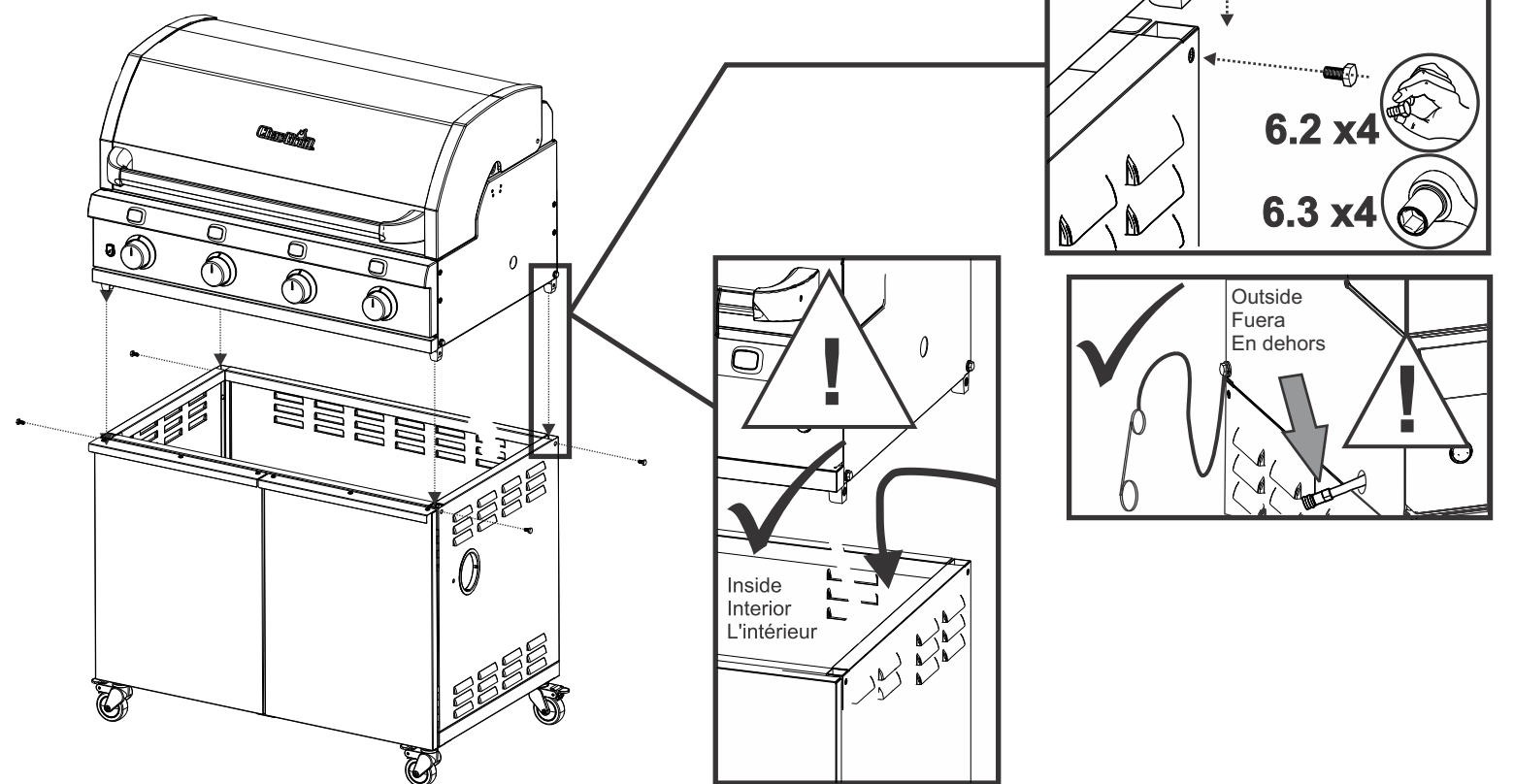


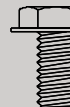

FULLY TIGHTEN ALL BOLTS AFTER 4.3

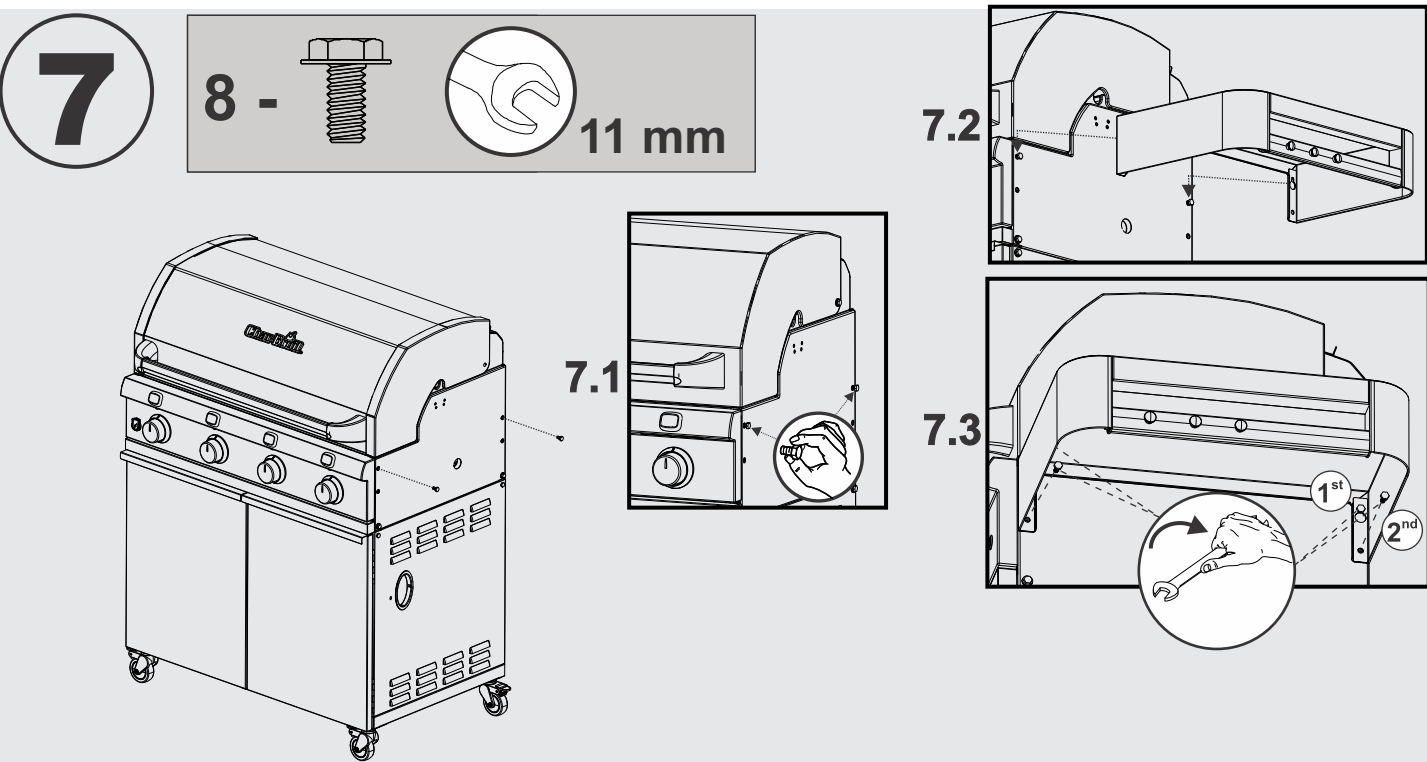
5 12 -  



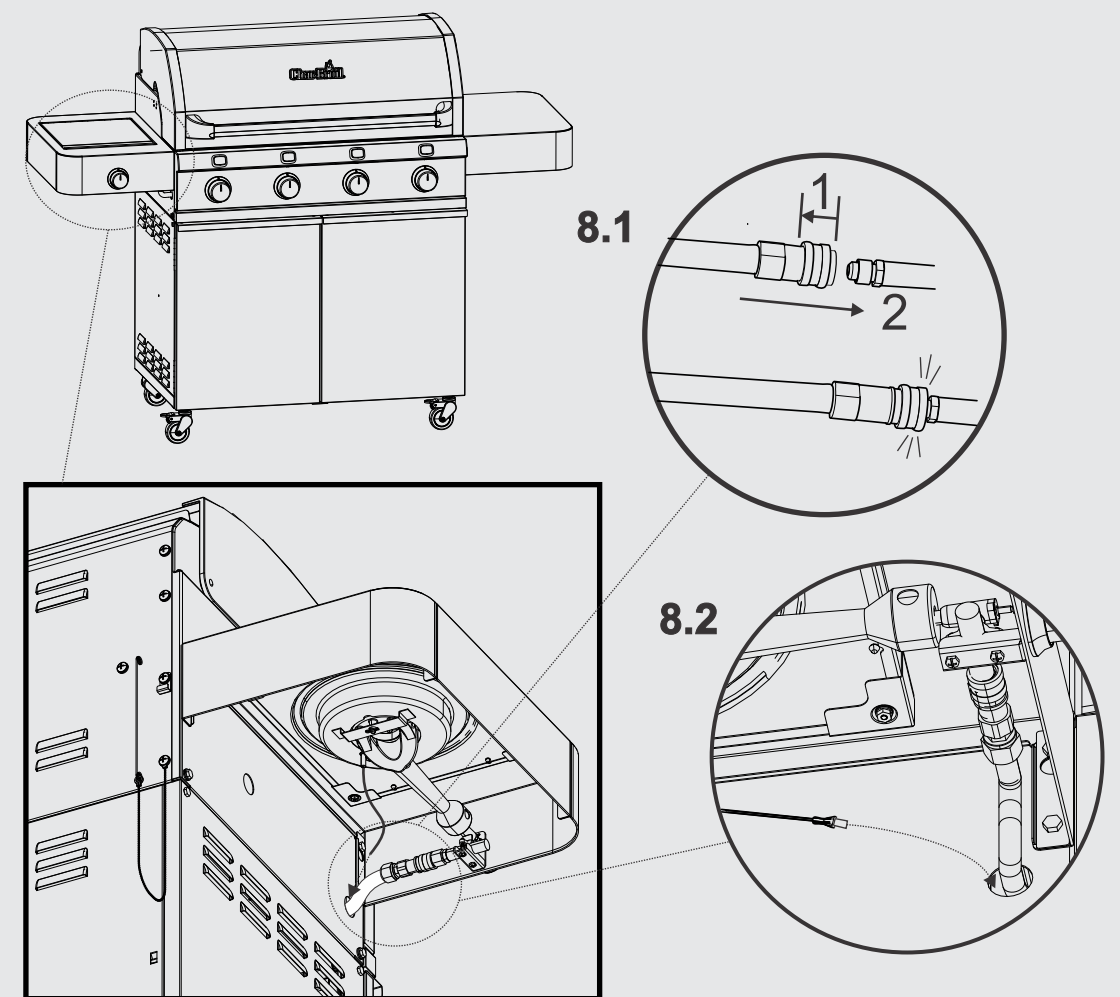
6   x2 4 -  

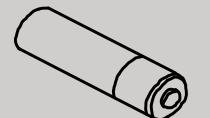

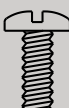



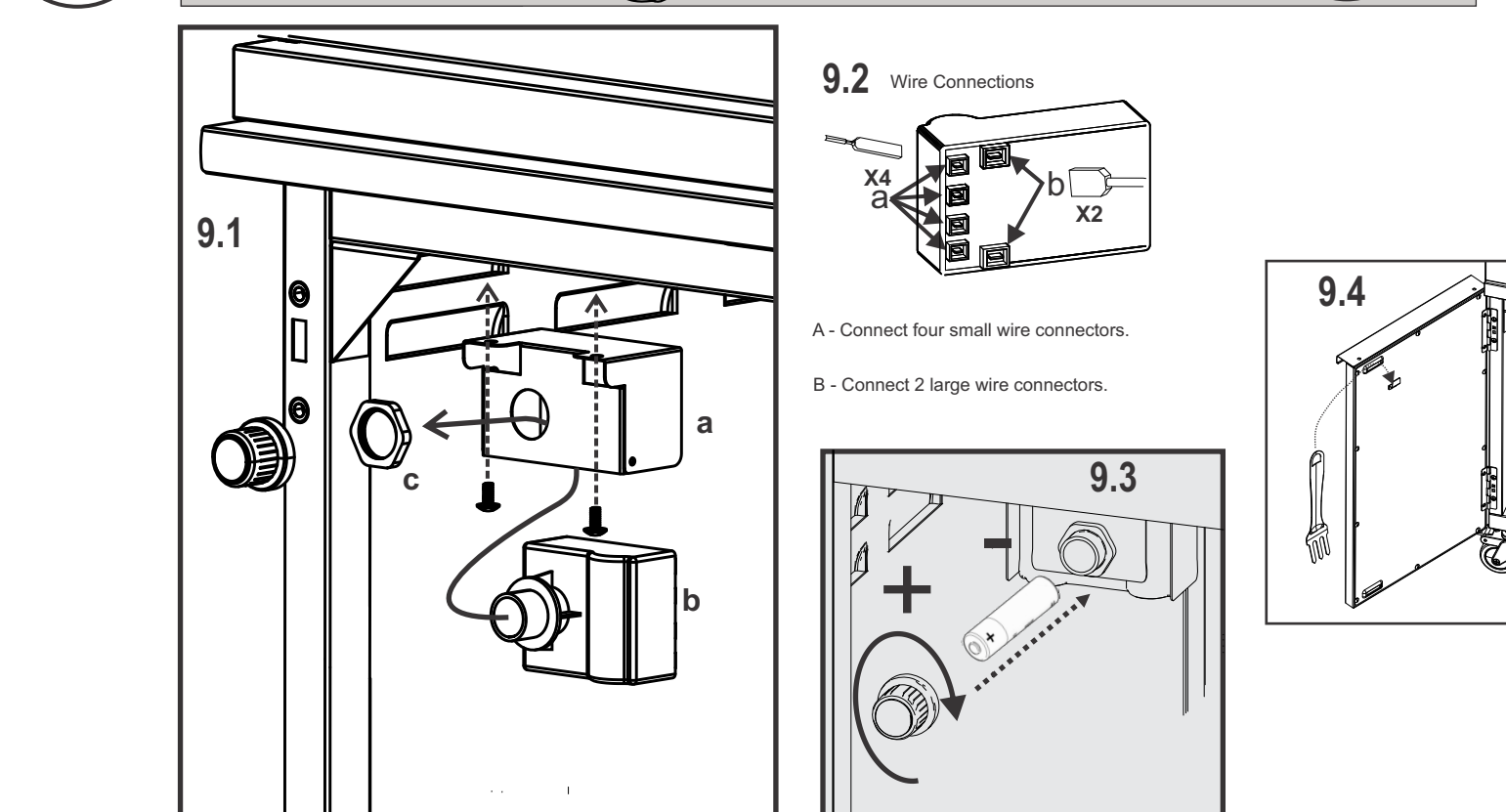
7 8 -   11 mm



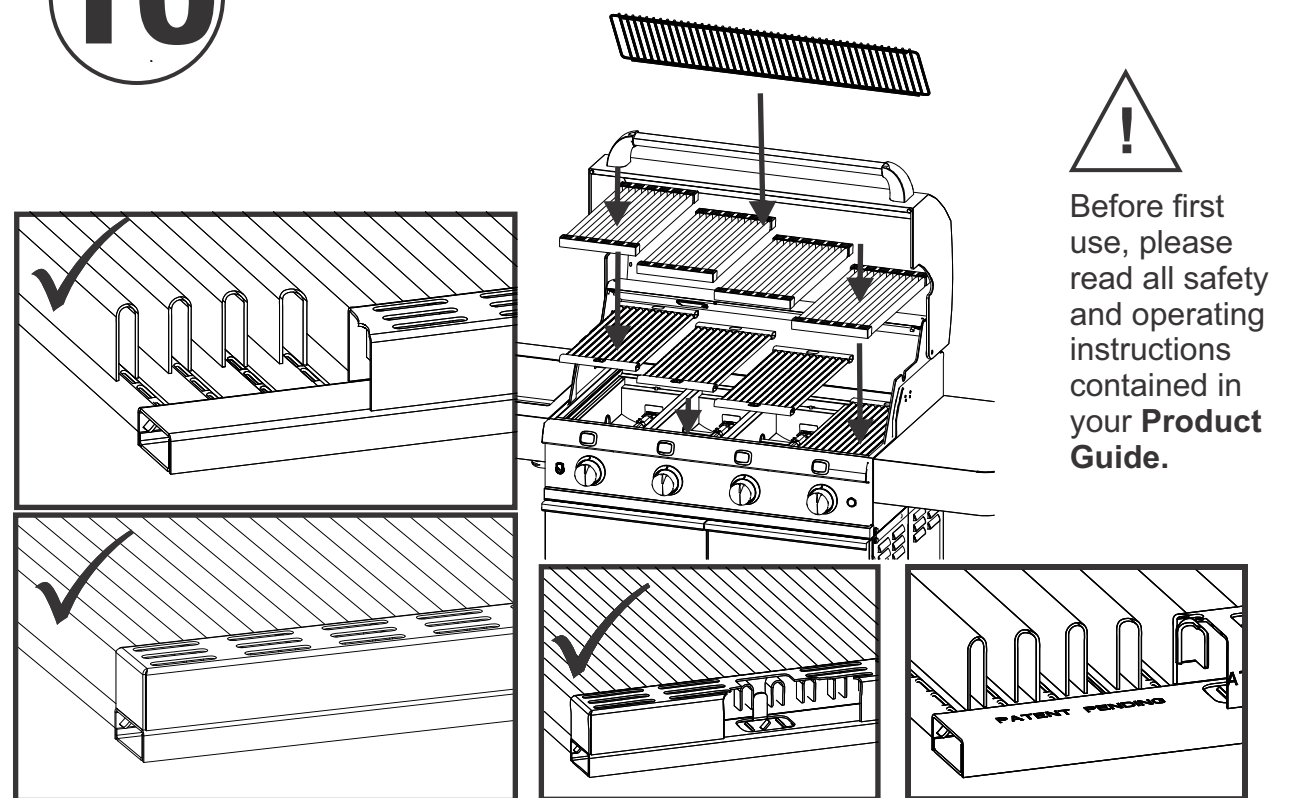
8



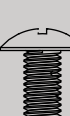





9 1 -   2 -  



10



11 1 -      11 mm  19 mm

