

AXOR ShowerSolutions

Shelf 5" x 5"

Finishes : **chrome** Part no. : **40872000**



Description

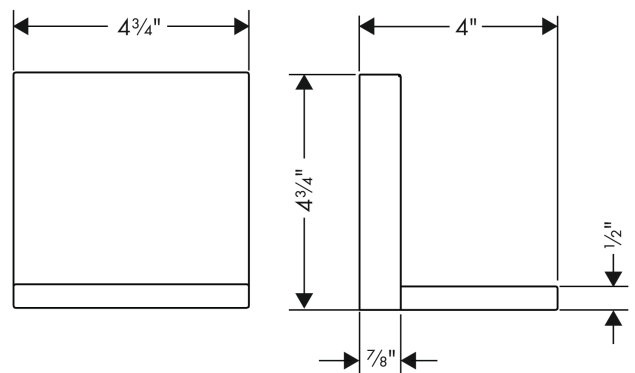
Features

- Metal
- When positioning the shelf between waterconducting parts (no.10755XXX, no.10751XXX, no.10942XXX, no.10972XXX, no.10651XXX, no.28491XXX) in joined installation (10mm distance), it is recommended to use basic set no.40877180
- Suitable for installation with or without basic set # 40877180
- For use with either vertical or horizontal installation of the basic set

Product image



Scale drawing



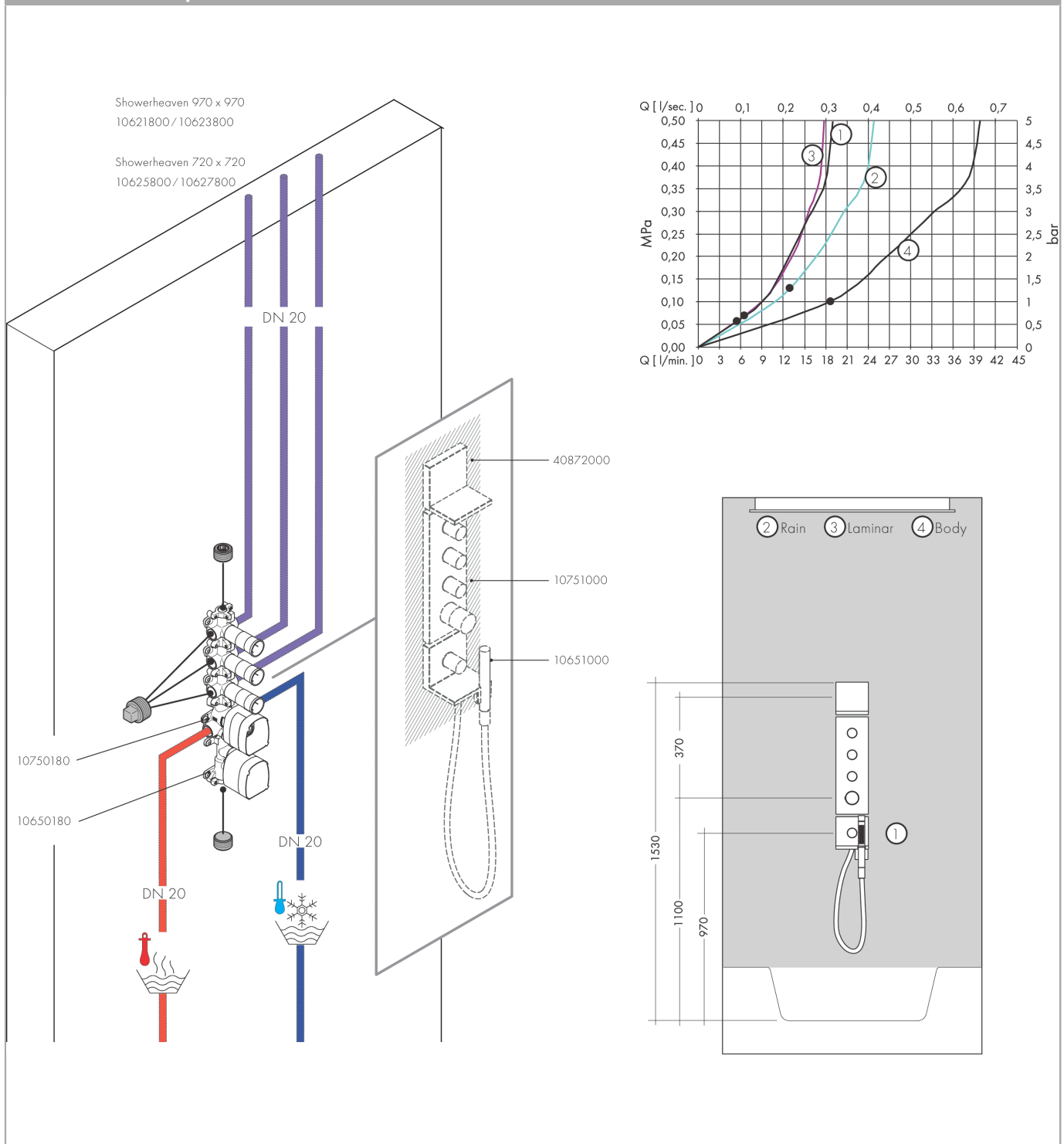
AXOR ShowerSolutions

Shelf 5" x 5"

Finishes : **chrome** Part no. : **40872000**



Installation example



AXOR ShowerSolutions

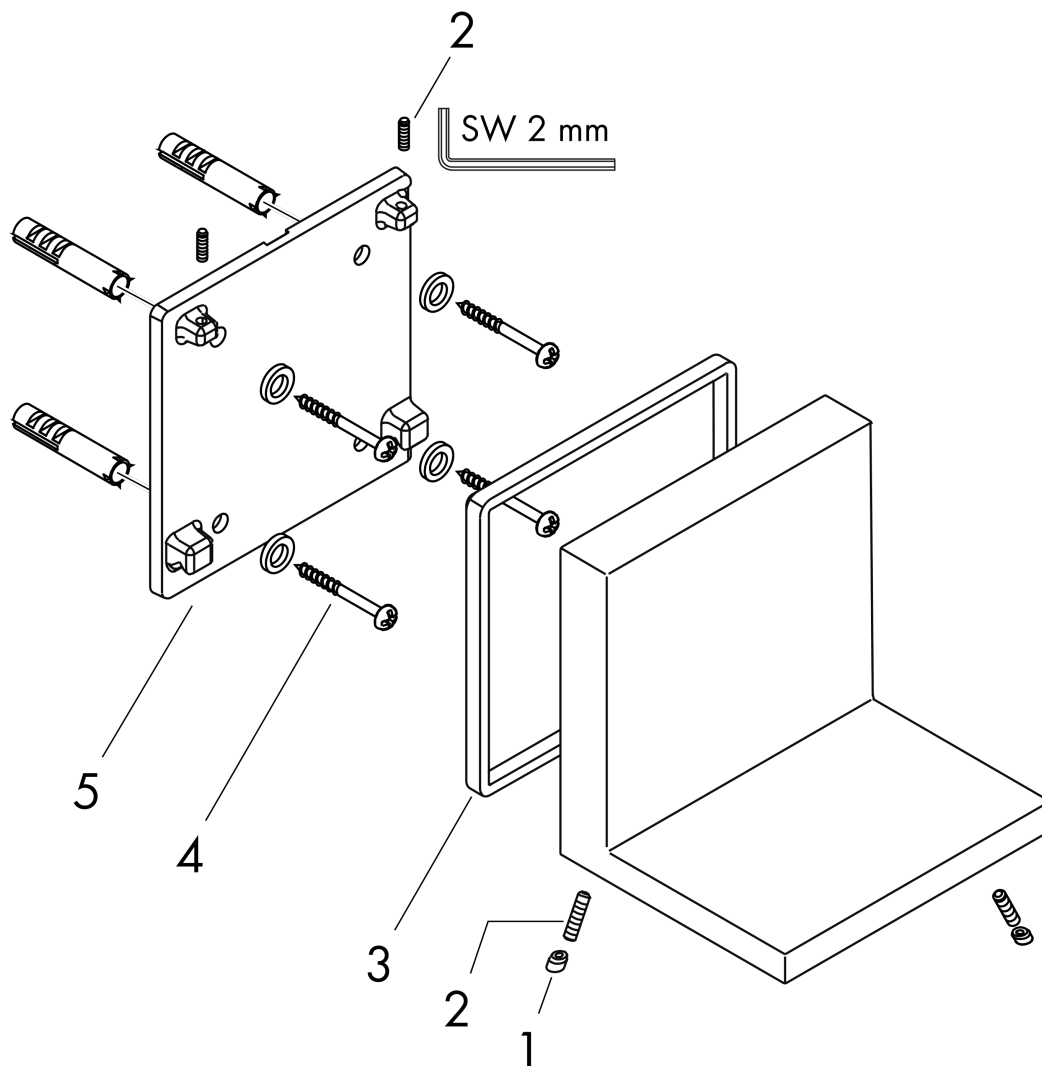
Shelf 5" x 5"

Finishes : **chrome** Part no. : **40872000**



Exploded drawing

Year of production: >01/09



AXOR ShowerSolutions

Shelf 5" x 5"

Finishes : **chrome** Part no. : **40872000**



Spare parts list

Year of production: >01/09

| Pos. | Description | Part no. | PC | PU |
|------|------------------------|----------|----|----|
| 1 | screw cover | 96338000 | 0 | 1 |
| 2 | hollow set screw M4x16 | 97663000 | 0 | 1 |
| 3 | seal | 97737000 | 0 | 1 |
| 4 | mounting set | 96179000 | 0 | 1 |
| 5 | support element | 95312000 | 0 | 1 |