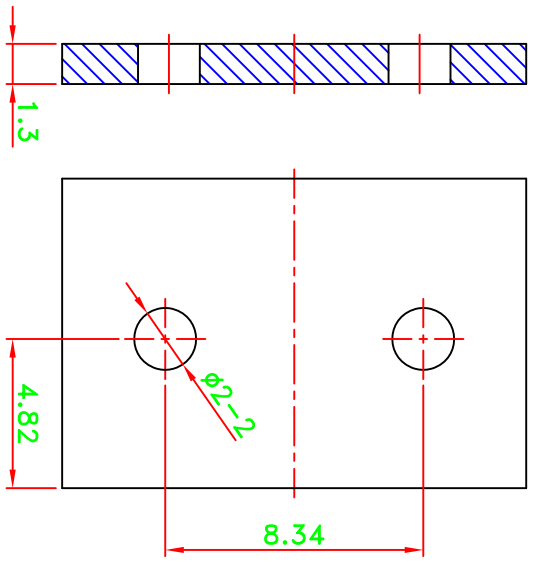
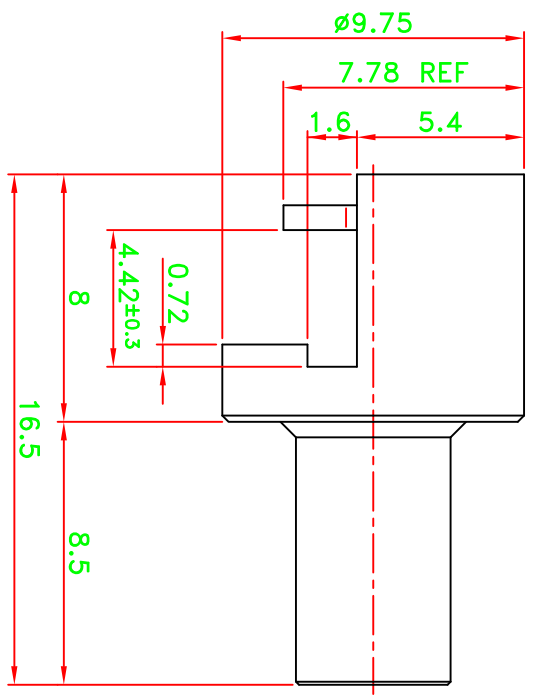
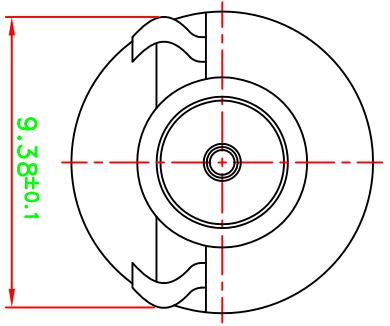


REV	DESCRIPTION\PER REQUEST	DRAWN	DATE



PCB MOUNTING HOLE



NO	DESCRIPTION/DRAWING NO.	Q'TY	MATERIAL	FINISH	PART NO.	APPROVED	DATE	CHECKED	DATE	DRAWN	DATE	SCALE	UNIT	mm	FILE NO.	TITLE	DRAWING NO.	REV
4	CRAB FOOT	1	STEEL	NICKEL	1261V504EFT					Wen	03/19/14	4/1	mm		W:\79\AS\ASMCX\ASMCX-90065-TGN	Bomar Interconnect Products, Inc	ASMCX-90065-TGN	B
3	INSULATOR	1	PTFE	NATURAL			03/19/14									MCX V-BITE JACK		
2	PIN	1	BEUCU	GOLD					03/19/14									
1	BODY	1	BRASS	NICKEL														

* MAJOR DIMENSION

UNLESS OTHERWISE NOTED TOLERANCES

0.5-6 = ±0.2
6-30 = ±0.4
30-120 = ±0.6
120-315 = ±1.0
ANGLES = ±5°