



Project Name: _____

Location: _____

Item #: _____ Qty: _____

Model: _____

SOLID DOOR REACH-IN REFRIGERATORS

MODEL: GRRF-1D GRRF-2D



GRRF-1D



GRRF-2D

Grista's Solid Door Reach-In Refrigerators are constructed of a heavy duty stainless steel exterior making them strong and durable enough to survive any kitchen environment. The cooling units are bottom mounted and slide out for easy maintenance and cleaning. All models come with 4" casters and plastic coated wire shelving that is easily removable to adjust the shelf height. The front digital controllers and LED readout makes it easy to adjust the interior temperature. These models are ETL Listed and ETL Sanitation. They are backed with a 2 year warranty on parts and labor and a 5 year warranty on the compressor.

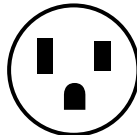
FEATURES AND CONSTRUCTION

- Easy to clean 430 series stainless steel exterior
- Painted white aluminum interior
- Digital temperature control ranges 33-40°F in refrigerators and -7°F – 0°F in freezers
- 3 epoxy coated corrosion resistant shelves with 90 lb. capacity each
- Self-closing door with stay open feature beyond 90°
- Bottom mounted condensing unit positioned for easy maintenance
- Preprogrammed digital control featuring auto defrost cycle
- Foamed in place insulation helps provide strength while helping to maintain internal temperature
- Eco-friendly R290 hydrocarbon refrigerant
- Ships complete with casters

ELECTRIC

115V / 60Hz / 1Ph

7' (2.1m) NEMA 5-15P cord set included



NEMA 5-15P

3RD PARTY APPROVALS



Intertek



Intertek

NOMINAL STORAGE CAPACITY

GRRF-1D 23 Cu Ft (651 L)

GRRF-2D 48 Cu Ft (1359 L)

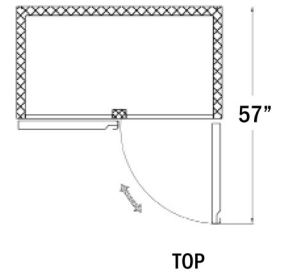
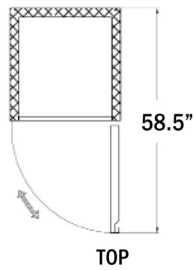
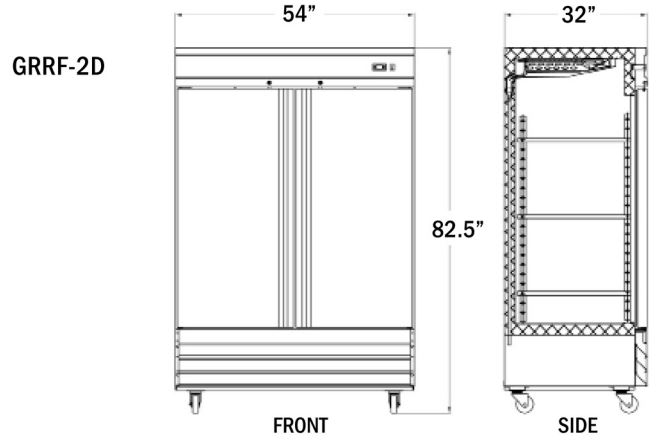
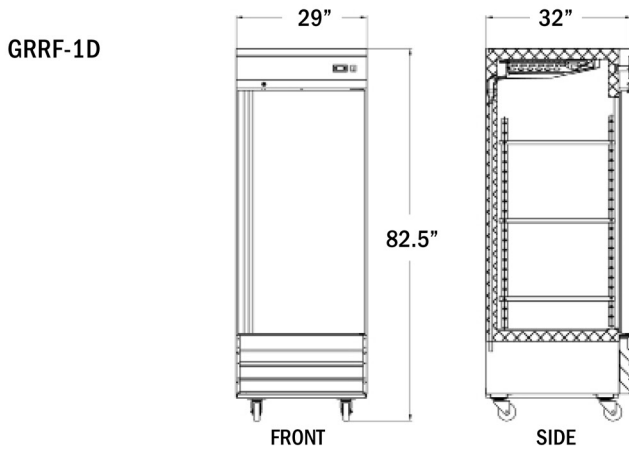
TEMPERATURE

Holding Temperature 33°F to 41°F (1°C to 5°C)

- These models are designed to operate in an environment where temperature and humidity do not exceed 75°F (24°C) and 55% relative humidity

GRISTA WARRANTY (USA / CANADA)

Contact Admiral Craft for warranty statement at info@admiralcraft.com or 516.433.3535



Model Number	GRRF-1D	GRRF-2D
Doors	1	2
Shelves	3	6
Net Volume (Cu. Ft.)	23	48
Overall Dimensions (in)	29"L x 32"W x 82"H	54"L x 32"W x 82"H
Interior Dimensions (in)	24"L x 27"W x 60"H	49"L x 27"W x 60"H
Horsepower	1/5	1/4+
Refrigerant	R290	R290
Voltage/Hertz/Phase	115/60/1	115/60/1
Amps	2.6	3.8
Net Weight (lbs)	278 lbs	445 lbs
Gross Weight (lbs)	322 lbs	512 lbs
Shipping Dimensions (in)	31"L x 35"W x 83"H	56"L x 35"W x 83"H