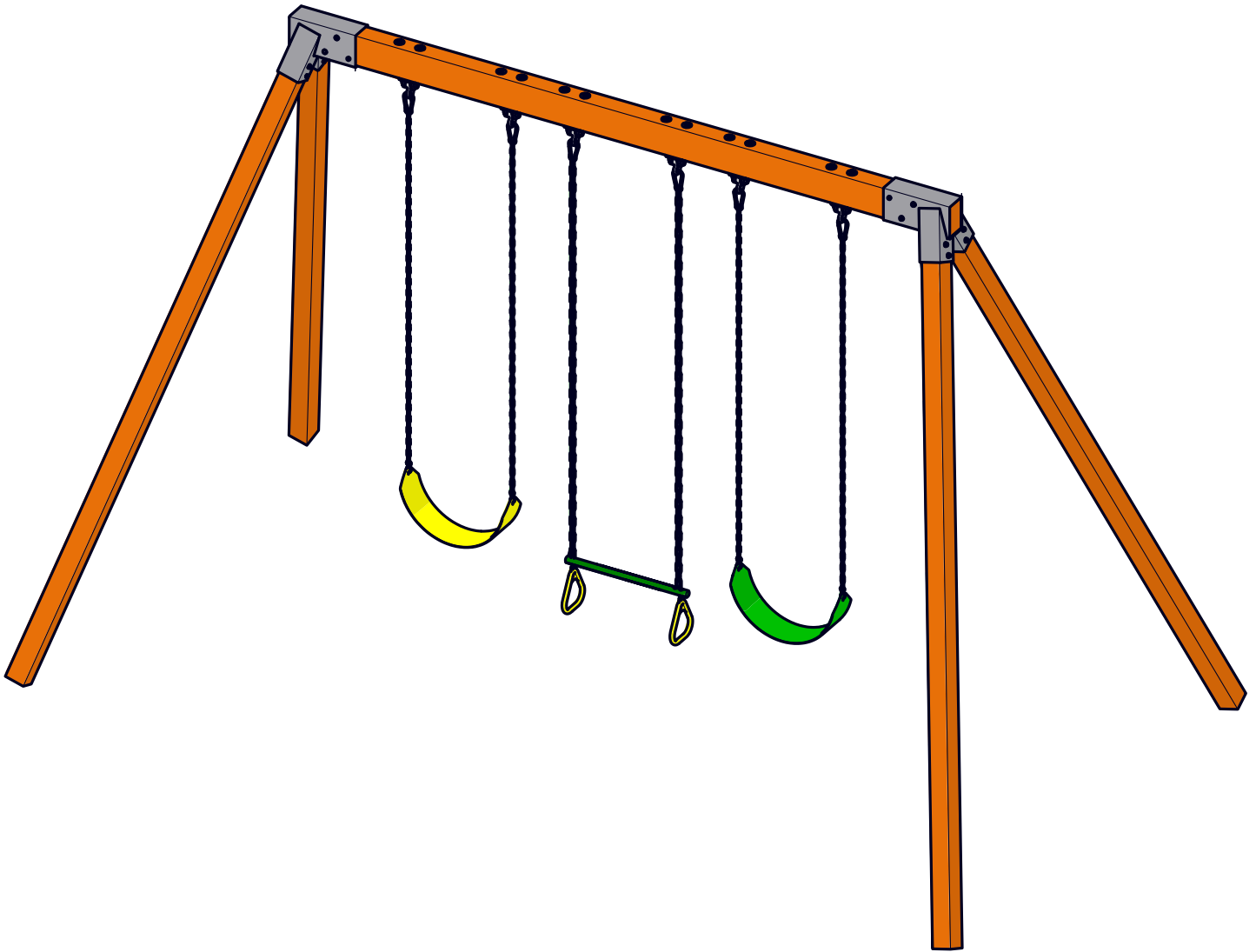


JACK & JUNE

PG9500W

(DIY PLAYSET SET)



PA-MAN-DIY-01

I N T R O D U C T I O N

Choosing A Location For Your Playset

When selecting your structure site, always keep the child's safety in mind. Here are some recommendations to help you create a safe play area.

A. The playset should be located on level ground. The stationary components are **REQUIRED** to be a minimum of six feet from any structure or obstruction such as a fence, garage, house, tree or overhanging branches, electrical wires or clotheslines.

Any swinging equipment is also **REQUIRED** to be a minimum distance twice the height of the swing beam away from these obstructions or structures as well. We also recommend that you do not install your playset near a lake, river, swimming pool or other water hazard.

B. The U.S. Consumer Product Safety Commission (CPSC) recommends that you install and maintain a resilient surface under your play equipment. The CPSC's Consumer Information Sheet for Playground Surfacing Materials at the end of this manual. A resilient surface, should be installed after the equipment has been completely assembled according to these instructions. The equipment must rest on solid ground. Please note that this product has a maximum fall height of 8'.

Do not install home playground equipment indoors, or over concrete, asphalt, packed earth, grass, carpet or any other hard surface. A fall onto a hard surface can result in serious or fatal injury.

Responsible on-site adult supervision is one of the most important contributions to children's safety that you can make. Jack & June strongly recommends on-site adult supervision of children of all ages. Safe swinging skills need to be taught to children, just like any other physical activity.

The weight limit for any single user on Jack & June play equipment is 105 pounds. Limit the number of users to one on each swing.

When the time comes to disassemble and dispose of the play equipment, do so in such a way that no hazards will exist at the time the equipment is discarded.

Maintaining Your Playset

Here are some maintenance tips required to insure safe enjoyment of your equipment for years to come.

A. At the beginning of each usage season and every two weeks during, check: nuts and bolts and tighten as needed, swing seats, chains, and wood components for signs of deterioration and replace if necessary.

B. On a yearly basis, we recommend that you coat your playset with a sealant or preservative. You may also want to spot sand any areas prior to sealing. Be sure that the sealant you select is non-toxic and child safe.

C. Remove plastic swing seats and take indoors or do not use when the temperature drops below 0° F.

If you have any questions about your playset, or are in need of replacement parts, call 1-800-GO-SWING.
Please keep these instructions for future reference.

S A F E T Y I N S T R U C T I O N S

WARNING

-Use only construction grade, pressure treated lumber. 4x4's should be a minimum of 3.5" x 3.5" and 4x6's should be a minimum of 3.5" x 5.5".

-Follow manufacturer's instructions for all accessories for spacing and weight requirements.

Teach Children:

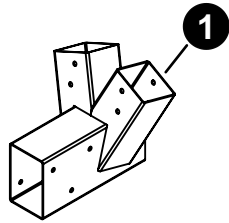
- Not to walk close to, in front of, behind, or between moving items.
- Not to twist the swing ropes, or loop them over the top support bar, since this may reduce the strength of the rope.
- Not to swing empty swing seats.
- Not to swing sideways into the path of adjacent swings.
- Not to use the equipment in a manner other than that for which it is intended.
- Not to get off the equipment while it is in motion.
- Not to swing when they are wet or when the equipment is wet.
- To sit in the center of the swings with their full weight on the seats.
- To hold on to swings with both hands.
- Not to stand in the swing seats.
- Not to ride or leave bicycles or other toys in the swing area.
- Not to use hammers, saws, nails, or wrenches on the equipment.
- Not to swing so high that chains become slack, or above the height of the swing support.
- Not to climb on top of the swing support.
- Not to attach to the playground equipment any item that is not specifically designed for use with the equipment, such as (but not limited to) jump ropes, clotheslines, pet leashes, cables, and chains. These may become strangulation hazards.
- To watch for other children while swinging or playing near the equipment.

In Addition, Adults Must:

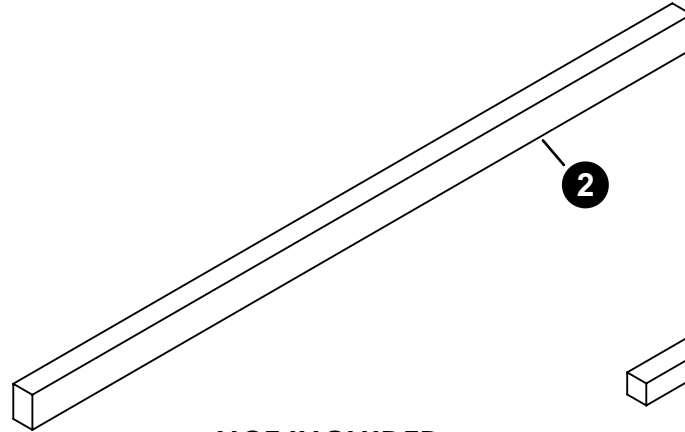
- Limit swinging heights to each child's ability.
- Dress children appropriately for play. Use well-fitting shoes that do not have slippery soles.
- Do not allow children to play wearing helmets.
- Avoid ponchos, scarves, hoods, loose-fitting clothing, neckties, and any clothing with a drawstring. Serious injury could result should any part of the children's clothing become entangled in the equipment.
- Remember that children are inventive. When they develop games that are unsafe, be alert and change the rules.

PARTS LIST (NOT ACTUAL SIZE)

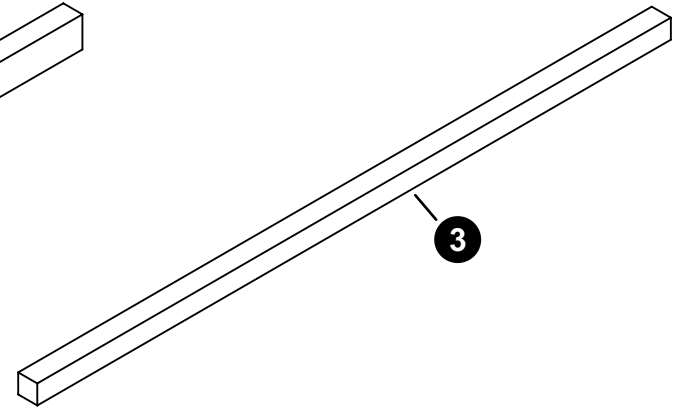
NOT INCLUDED (lumber will need to be purchased from a local store)



PLAYSET BRACKET
6A-7831-00
QTY. 2

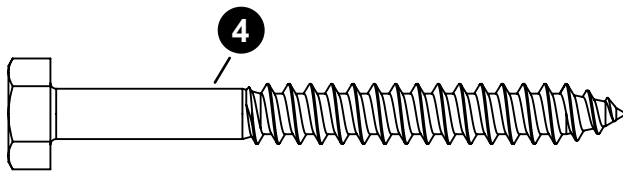


NOT INCLUDED
4"X6" Lumber
(10 feet long)
QTY. 1

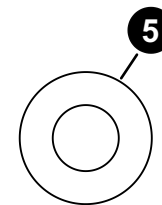


NOT INCLUDED
4"X4" Lumber
(8 feet long)
QTY. 4

HARDWARE IDENTIFIER (ACTUAL SIZE)

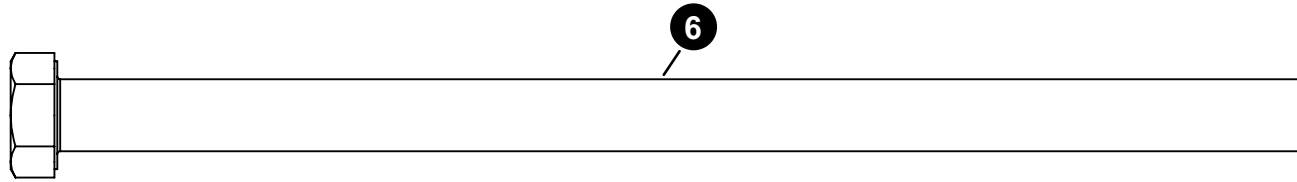


HEX HEAD LAG BOLT
PG-HW-L019
QTY. 28

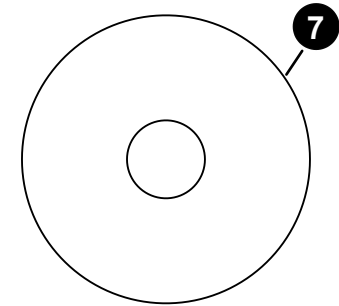


5/16" FLAT WASHER
PG-HW-W003
QTY. 28

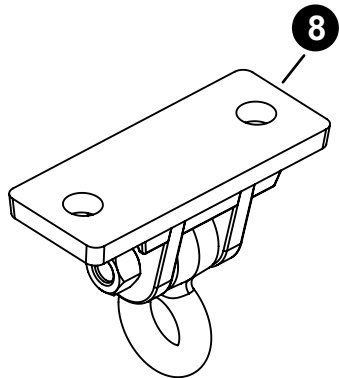
SWING HANGER HARDWARE IDENTIFIER (ACTUAL SIZE)



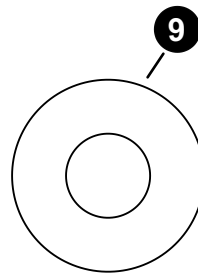
3/8"-16 x 6.5" HEX BOLT
PG-HW-B001
QTY. 12



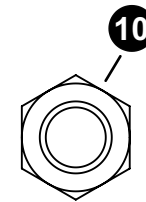
3/8" X 1 1/2" FENDER WASHER
PG-HW-W011
QTY. 12



DUCTILE SWING HANGER
PG-HW-M002
QTY. 6

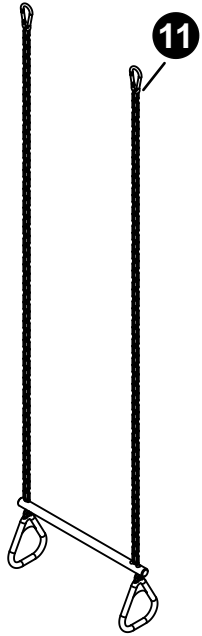


3/8" FLAT WASHER
PG-HW-W004
QTY. 12

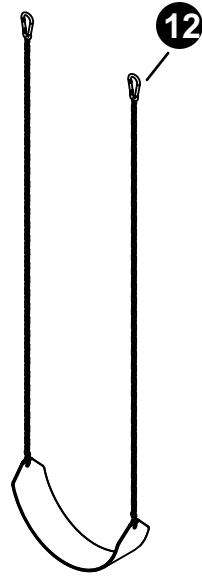


3/8" NYLON LOCKNUT
PG-HW-N001
QTY. 12

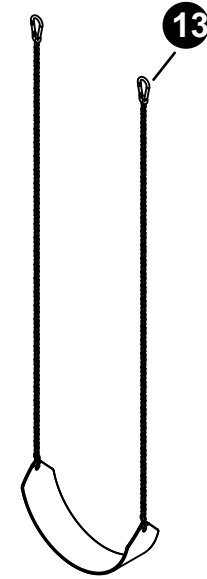
ACCESSORIES (NOT ACTUAL SIZE)



Trapeze Swing 80" CHAINS
PG-SW-TRG-050
QTY. 1

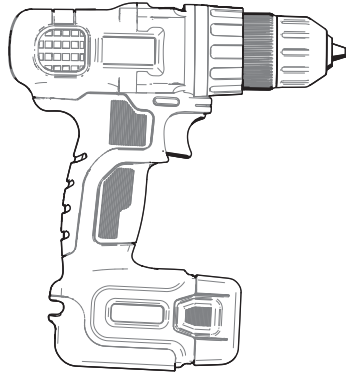


BELT SWING - **GREEN** (80" CHAIN)
PG-SW-BSG-080
QTY. 1

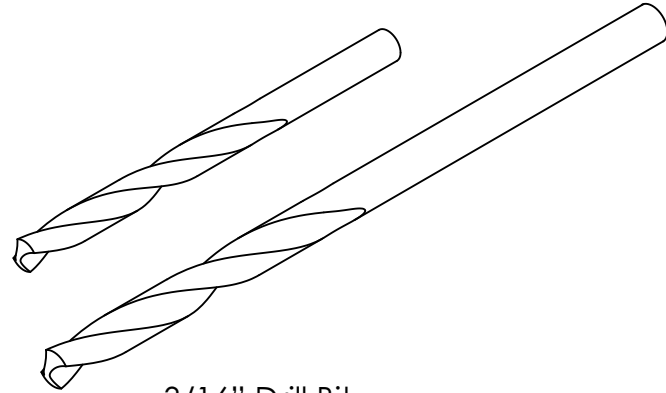


BELT SWING - **YELLOW** (80" CHAIN)
PG-SW-BSY-080
QTY. 1

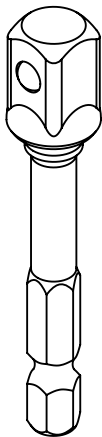
TOOLS NEEDED (NOT INCLUDED)



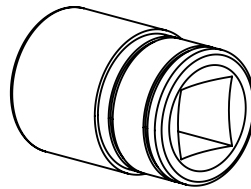
Cordless Drill
Or Impact Drill



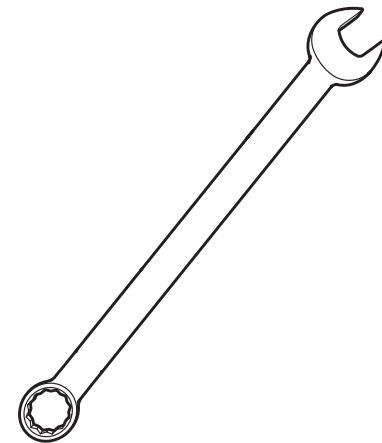
3/16" Drill Bit
7/16" Drill Bit - At least 6" long



Socket adaptor 3/8"



1/2" Socket
(3/8" Drive)



Two 9/16" wrenches

NOTE

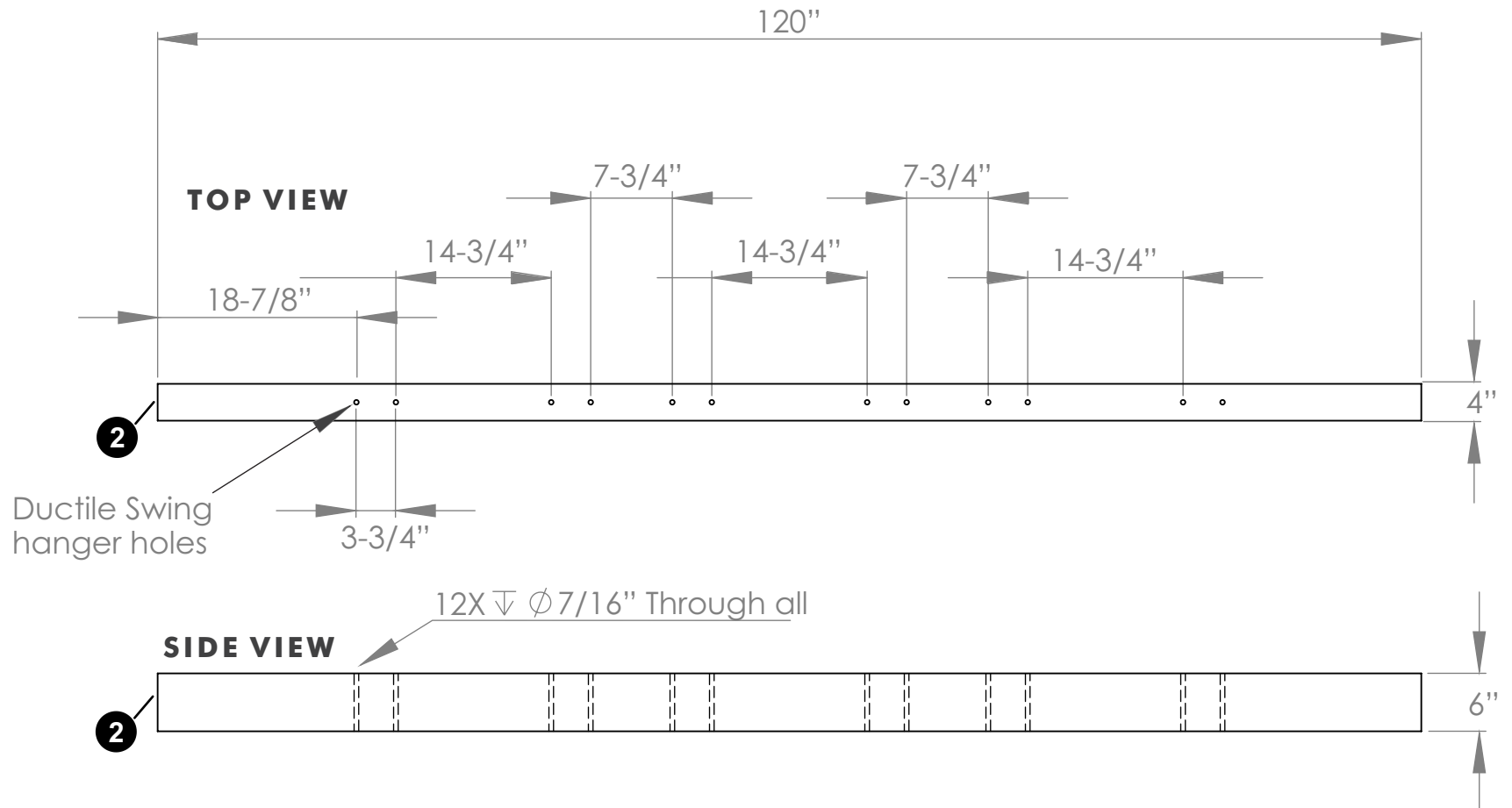
ALL LUMBER WILL NEED TO BE PURCHASED FROM A LOCAL STORE

Step 1: Lay the 4x6" ten foot Beam on a clean and flat surface.

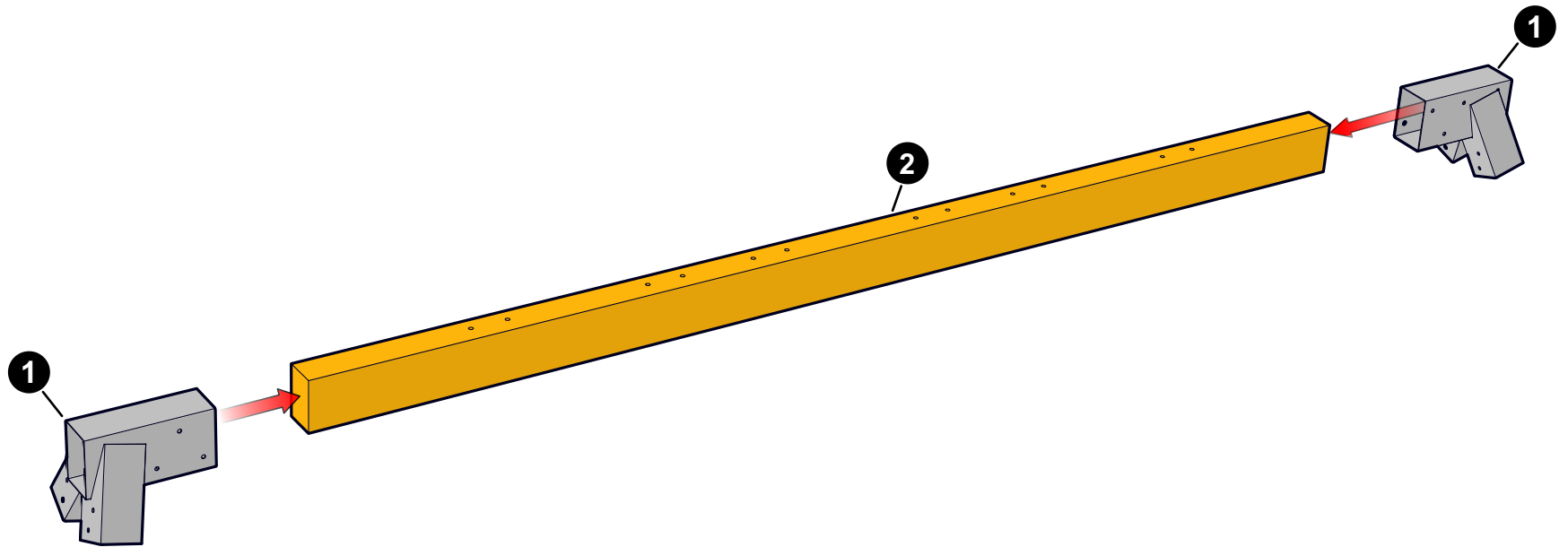
Step 2: Locate the center of the Beam (#2) and drill 12 holes (7/16") all the way through as shown in the diagram below. All Ductile Swing Hangers holes are spaced 3.75" from each other.

NOTE: Keep drill straight while drilling.

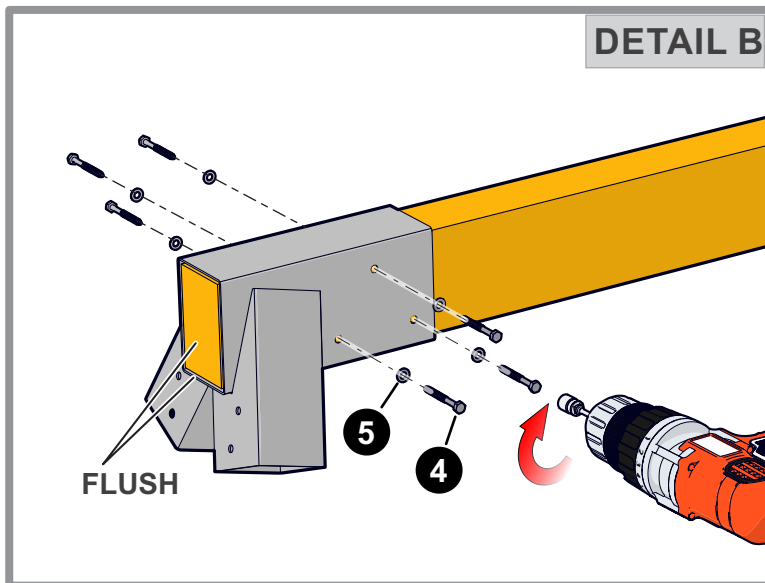
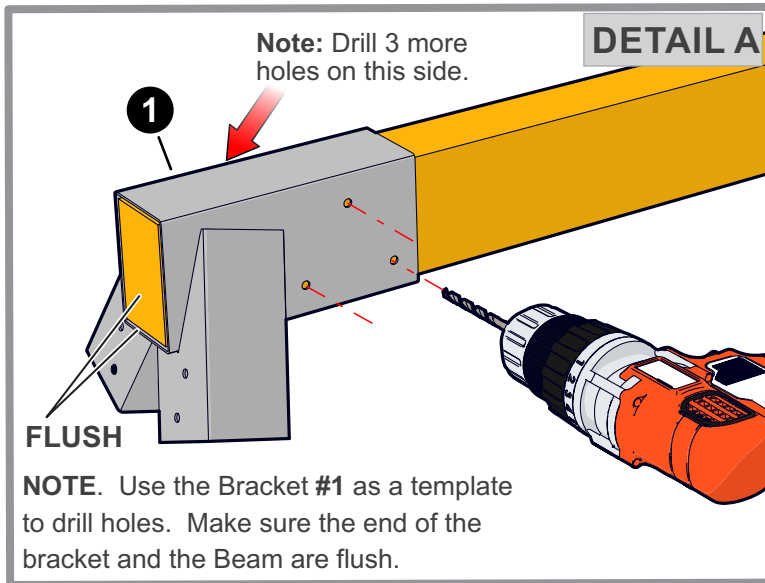
NOTE: 7/16" Drill bit needs to be at least 6" long.



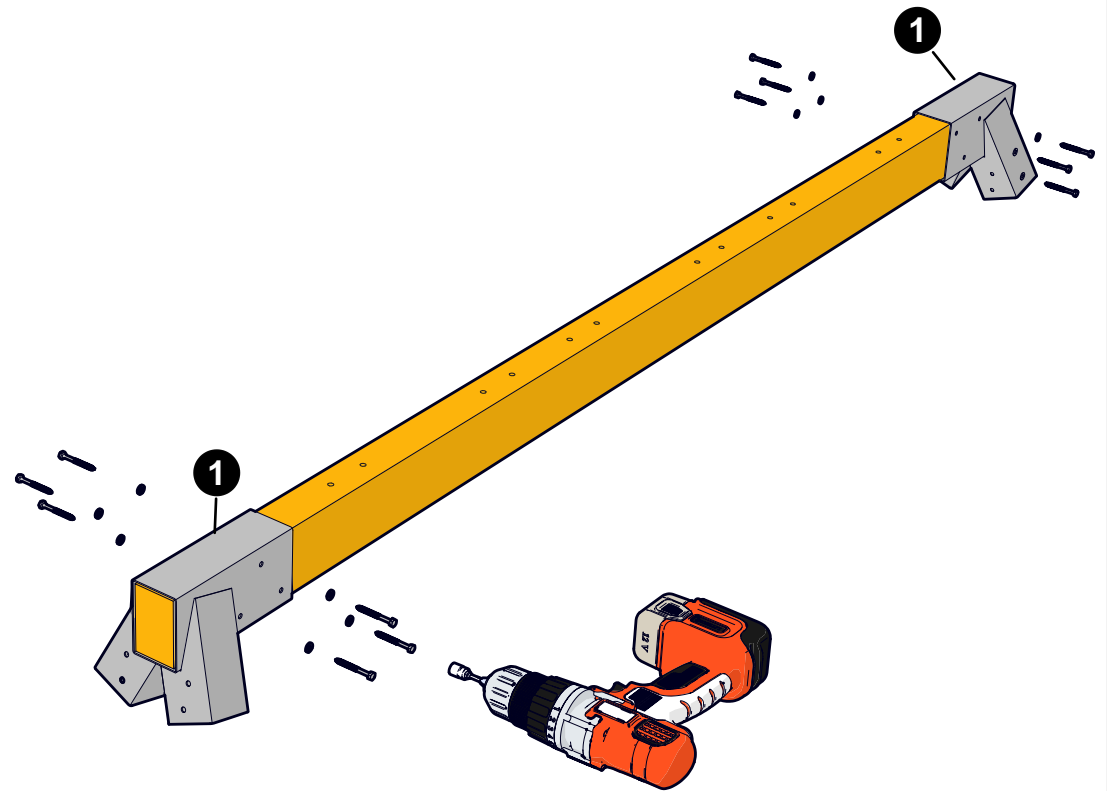
Step 3: Note the direction of the Bracket (#1) in picture below then slide each Bracket (#1) to the ends of the Swing Beam (#2) as shown.



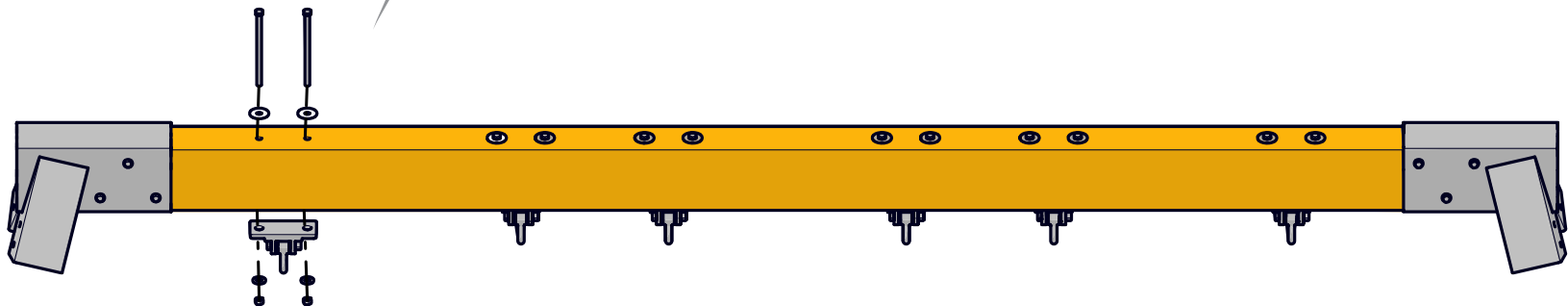
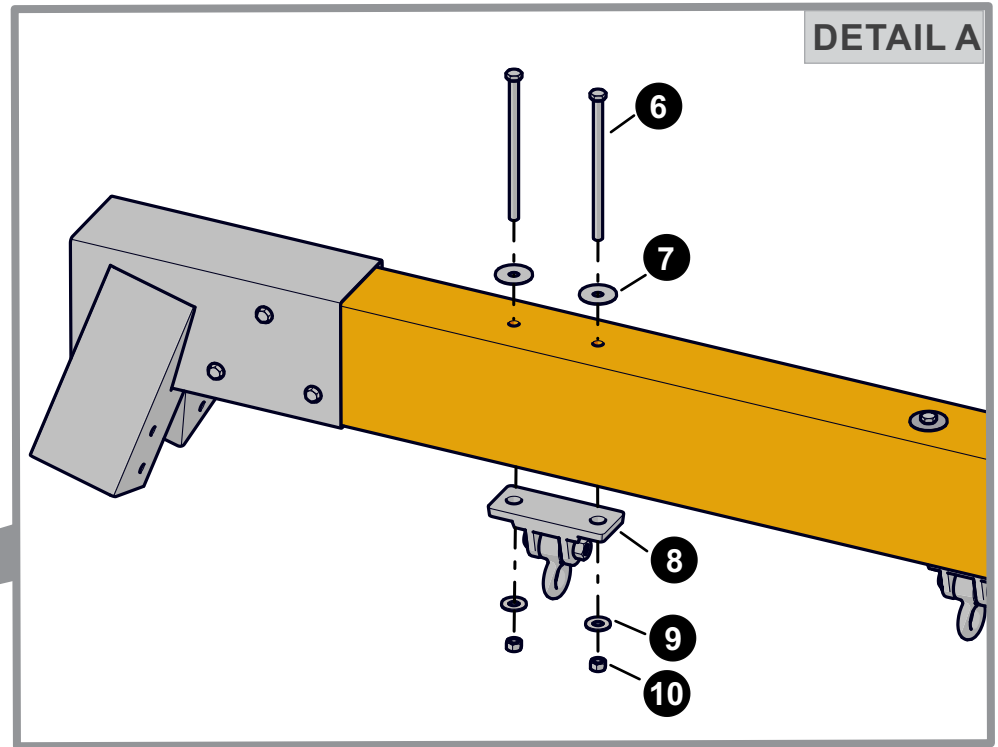
Step 4: Using a 3/16" bit, drill 6 pilot holes as shown in **Detail A**. Have a second person hold the bracket in place so it does not move.



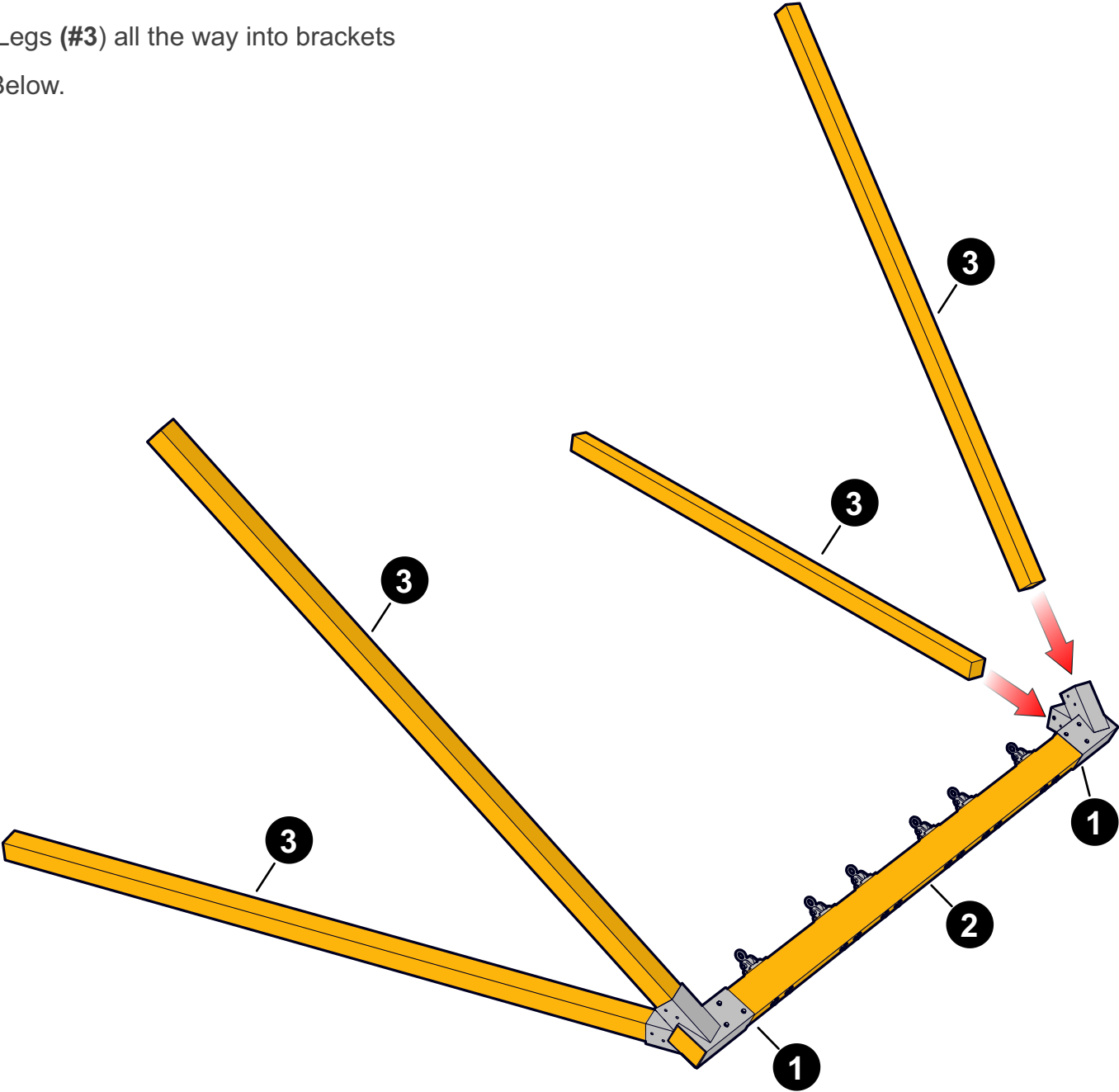
Step 5: Secure Bracket with Lag Bolt (#5) & (#4) Washer as shown in **Detail B**. Have a second person hold the bracket in place so it does not move.



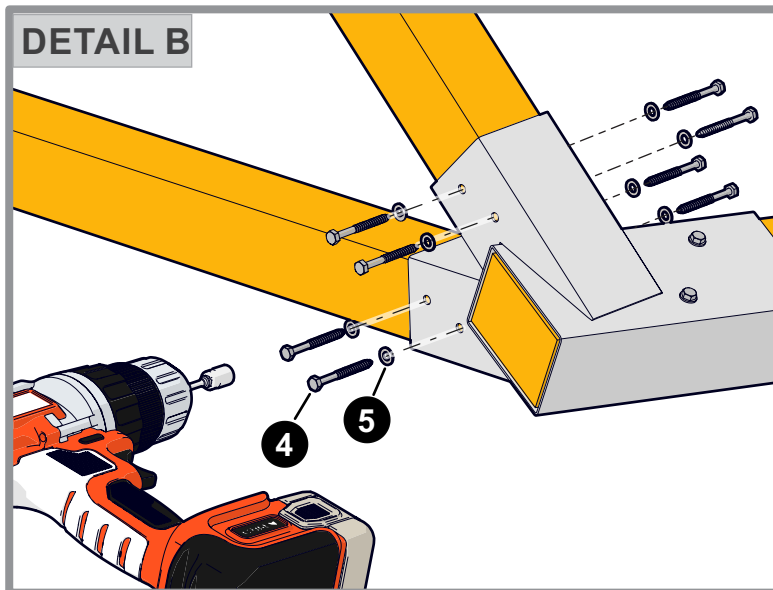
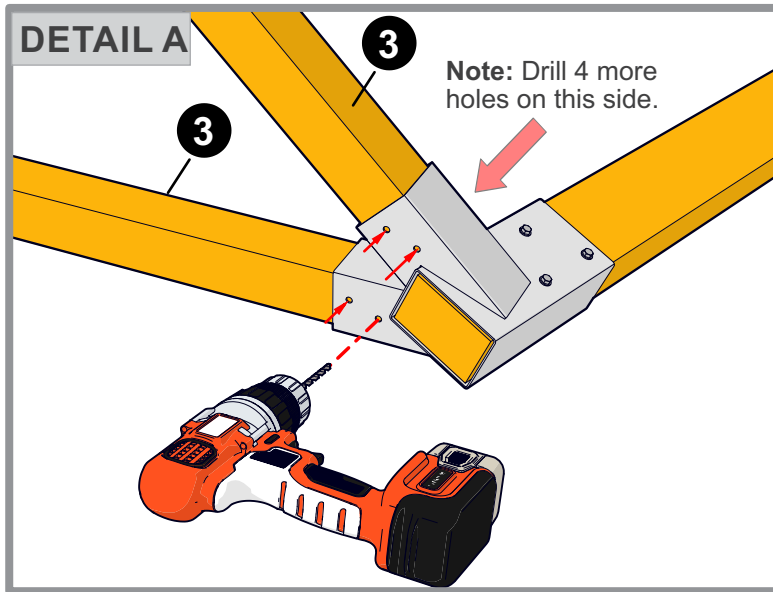
Step 6: Install six Ductile Swing Hangers (#8) with Bolts (#6), Fender Washers (#7), Washers (#9) & Nuts (#10) as shown in **Detail A**.



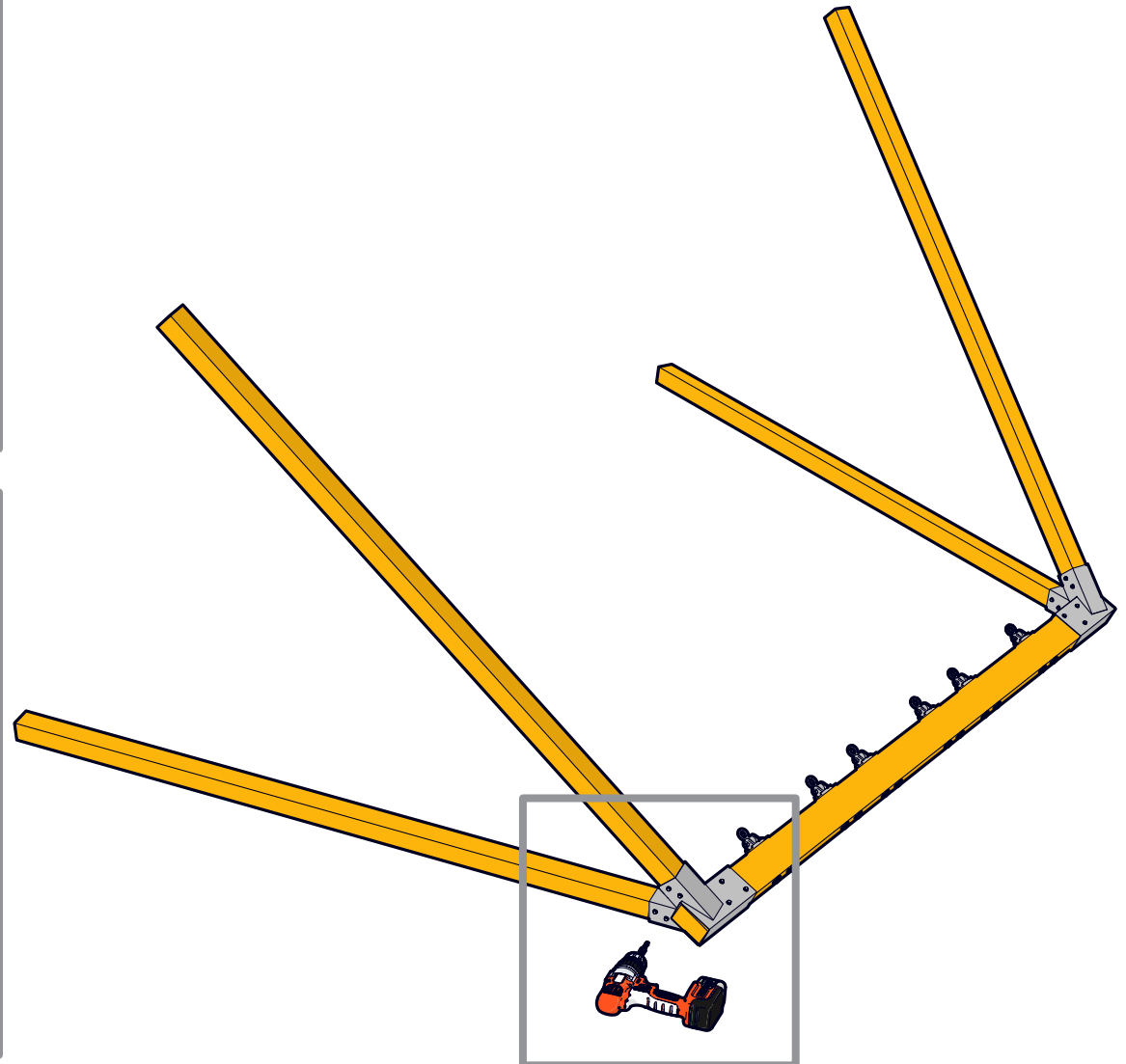
Step 7: Insert four Legs (#3) all the way into brackets as shown Below.



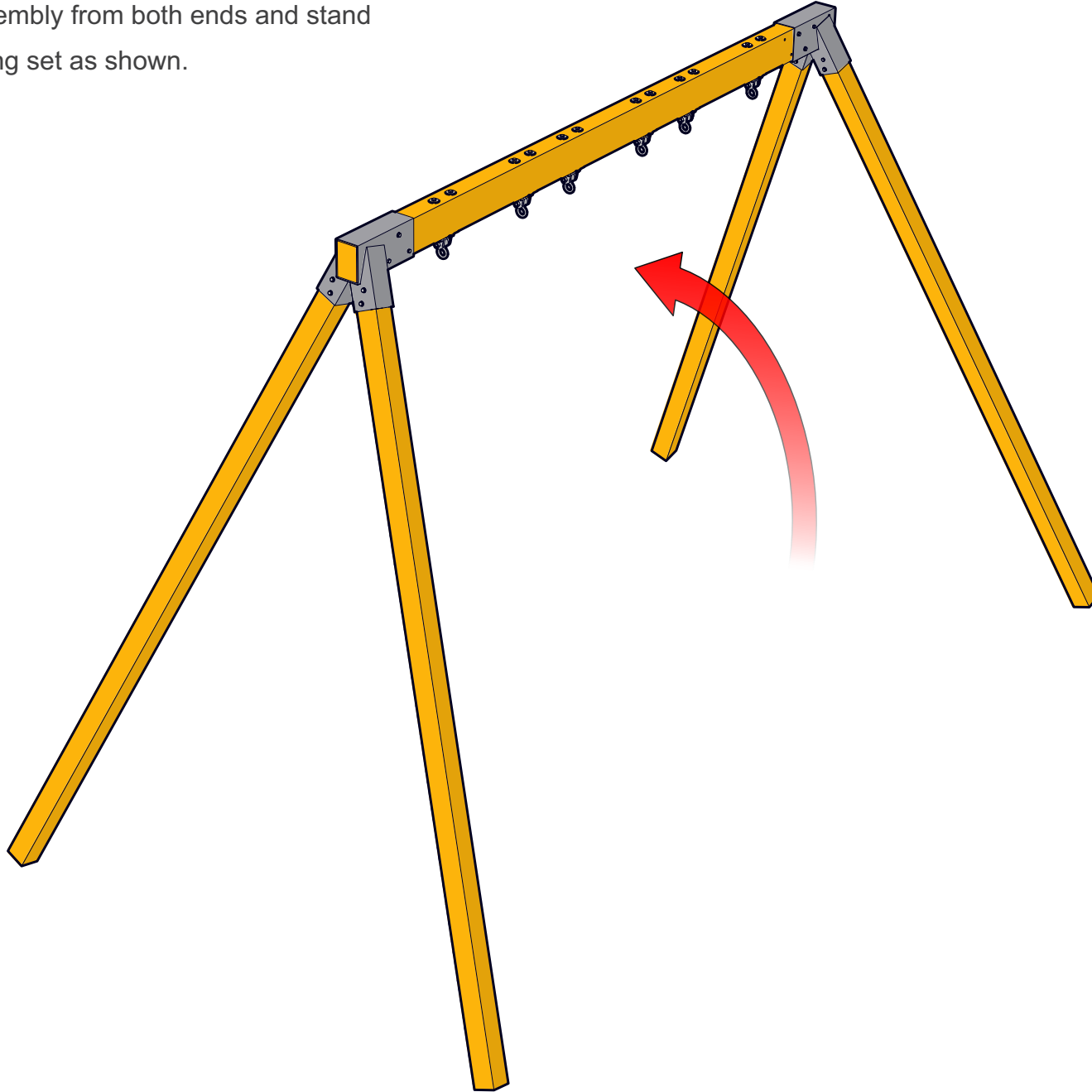
Step 8: Using a 3/16" bit, drill 8 pilot holes as shown in **Detail A**. Have a second person hold the Legs #3 in place so they do not move.



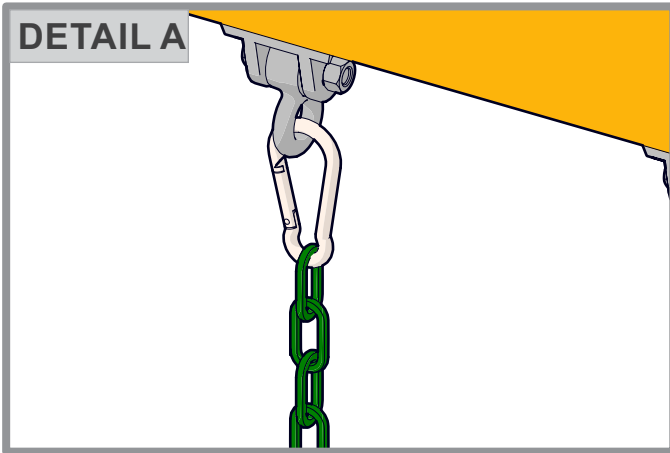
Step 9: Secure Legs to bracket with Lag Bolt #5 & Washer #4 as shown in **Detail B**. Have a second person hold the Legs in place so they do not move.



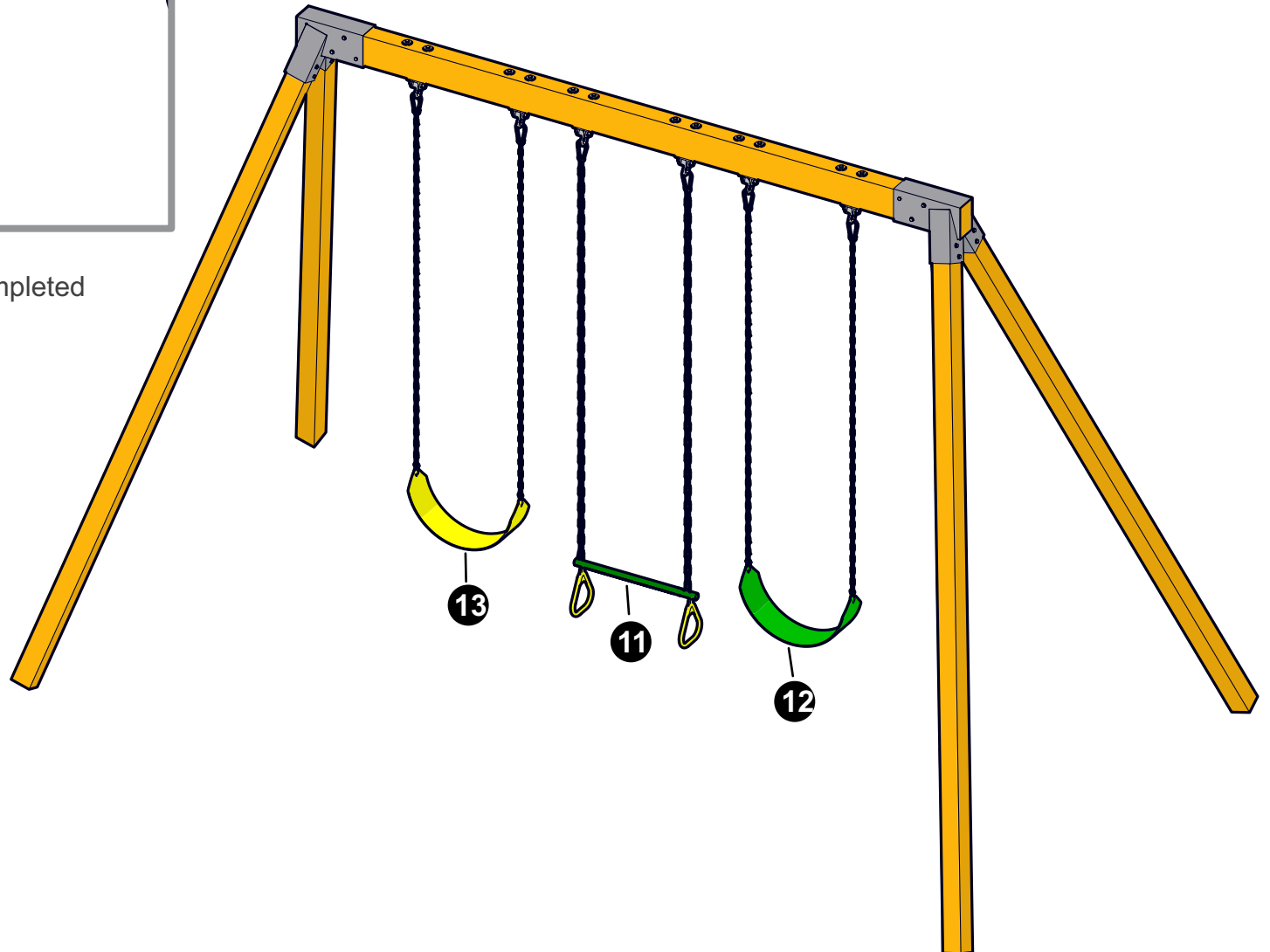
Step 10: With the help of another adult, carefully lift the assembly from both ends and stand the swing set as shown.



Step 11: Attach swings to the ductile hangers with carabiners provided. See **Detail A**.



Congratulations! You have completed the assembly.



Consumer Information Sheet for Playground Surfacing Materials¹

The U.S. Consumer Product Safety Commission (CPSC) estimates that about 100,000 playground equipment-related injuries resulting from falls to the ground surface are treated annually in the U.S. hospital emergency rooms. Injuries involving this hazard pattern tend to be among the most serious of all playground injuries, and have the potential to be fatal, particularly when the injury is to the head.

The surface under and around playground equipment can be a major factor in determining the injury-causing potential of a fall. It is self evident that a fall onto a shock absorbing surface is less likely to cause a serious injury than a fall onto a hard surface. Playground equipment should never be placed on hard surfaces such as concrete or asphalt and while grass may appear to be acceptable it may quickly turn to hard packed earth in areas of high traffic. Shredded bark mulch, wood chips, fine sand or fine gravel are considered to be acceptable shock absorbing surfaces when installed and maintained at a sufficient depth under and around playground equipment.

The following table lists the maximum height from which a child would not be expected to sustain a life-threatening head injury in a fall onto four different loose-fill surfacing materials if they are installed and

maintained at depths of 6", 9", and 12". However, it should be recognized that all injuries due to falls cannot be prevented no matter what surfacing material is used.

It is recommended that a shock absorbing material should extend a minimum of 6' in all directions from the perimeter of stationary equipment such as climbers and slides. However, because children may deliberately jump from a moving swing, the shock absorbing material should extend in the front and rear of a swing a minimum distance of 2 times the height of the pivot point measured from a point directly beneath the pivot point supporting structure.

This information is intended to assist in comparing the relative shock-absorbing properties of various materials. No particular material is recommended over another. However, each material is only effective when properly maintained. Materials should be checked periodically and replenished to maintain correct depth as determined necessary for your equipment. The choice of a material depends on the type and height of the playground equipment, the availability of the material in your area, and its cost.

FALL HEIGHT IN FEET FROM WHICH A LIFE THREATENING HEAD INJURY WOULD NOT BE EXPECTED

TYPE OF MATERIAL	6" DEPTH	9" DEPTH	12" DEPTH
Double Shredded Bark Mulch	6'	10'	11'
Wood Chips	6'	7'	12'
Fine Sand	5'	5'	9'
Fine Gravel	6'	7'	10'

¹This information has been extracted from the CPSC publications "Playground Surfacing—Technical Information Guide" and "Handbook for Public Playground Safety." Copies of these reports can be obtained by sending a postcard to the Office of Public Affairs, U.S. Consumer Product Safety Commission, Washington, D.C. 20207. Or call the toll-free hotline: 1-800-638-2772.