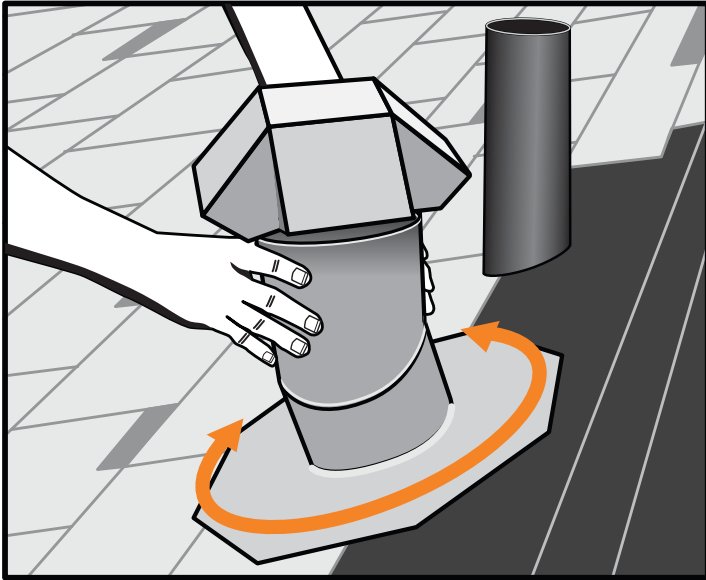
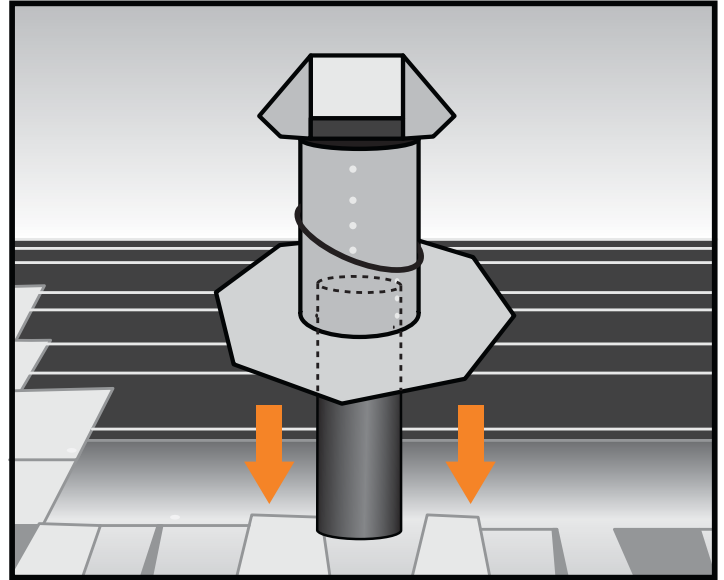


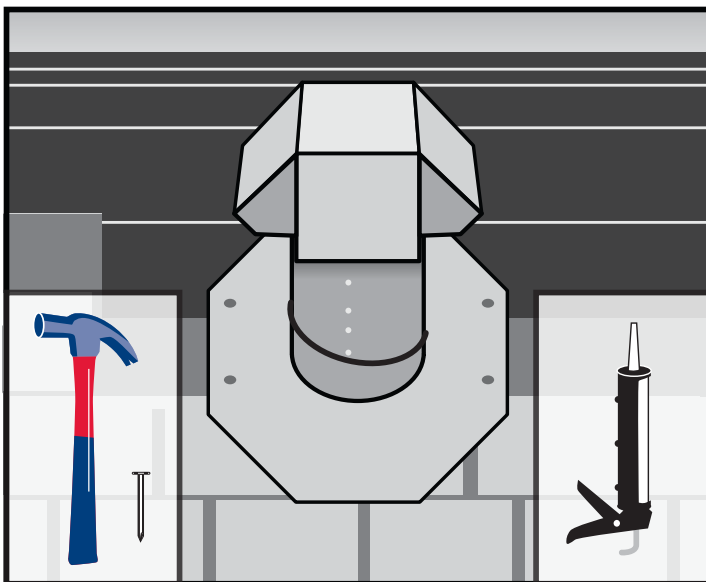
TOTAL JACK™ - is the only roof jack with an pitch-adjustable stack.



1. Set **TOTAL JACK™** down, flat on the surface of the roof, next to the pipe you are ventilating. Rotate the octagonal base flange to achieve a vertical, upright position.



2. Place **TOTAL JACK™** over the pipe (a). Adjust base, if necessary.



3. Secure octagonal flange with fasteners as approved by your local building code. Add a dab of caulking to seal the fasteners. Install remaining shingles in accordance with manufacturer's specification.



CAUTION! Working above grade is inherently dangerous, be sure that proper fall protection measures are in place. When working with power tools, gloves and eye protection are absolutely required.

These installation guidelines are for use with typical or standard applications. It is always recommended to seek advice from a licensed professional, and to check with your local building inspector or building permit office for approvals and possible variations that may apply.