

Assembly Guide

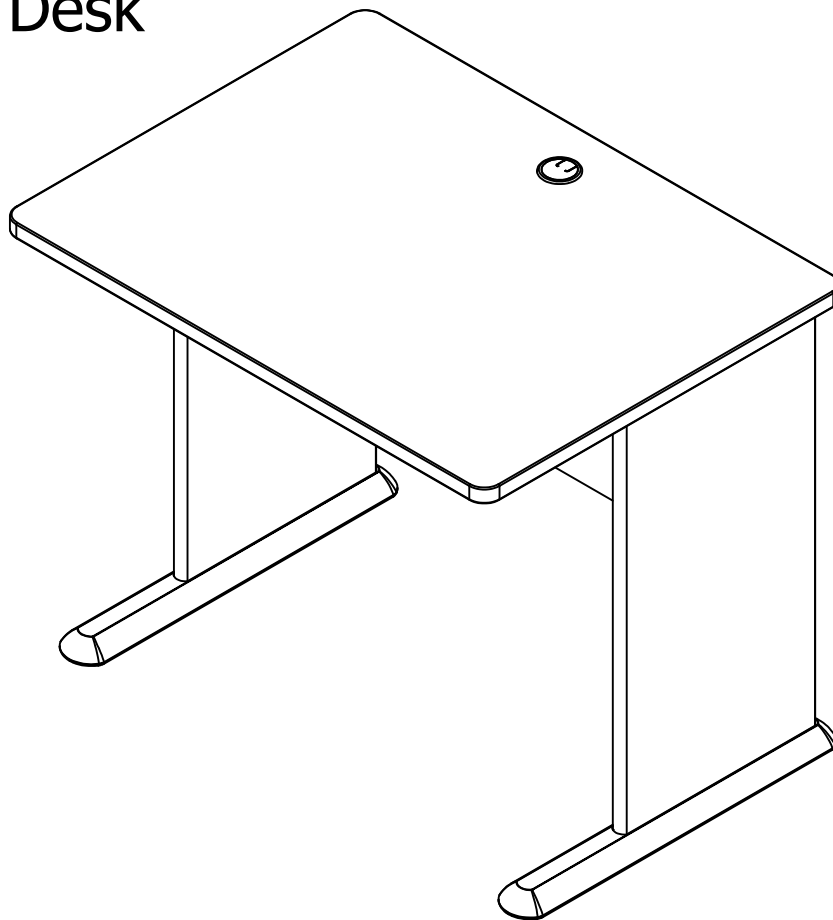


If you're having any difficulty during assembly of this product, don't hesitate to call us at **1-800-950-4782.**

Our customer service experts are trained to provide step-by-step instruction and can easily replace any missing or damaged parts.

Representatives are available Monday-Friday from 8:30 a.m. to 7:30 p.m. (ET)

36W Desk



Lot Code #

Instruction Sheet Number A206761B

Keep manual for future reference.

For best results, keep these tips in mind:

- ① We know you want to finish this assembly as quickly as possible, but trust us: you'll have a better experience if you take it one step at a time.
- ② Give yourself some room to work near where you want the fully assembled product.
- ③ If your floor isn't carpeted, assemble this product on the empty carton to avoid scratching.
- ④ Do you have a friend who owes you a favor? Some steps may go a little easier with a second set of hands.

DOs

- ✔ Use a #2 Phillips head screwdriver (or other handheld tools as indicated)
- ✔ Wear safety glasses at all times during assembly
- ✔ Carefully follow the instructions in this guide and complete all steps in order
- ✔ Give us a call if you're having trouble with a particularly tricky step

DON'Ts

- ✘ We know power tools are quick and easy, but you shouldn't use them when assembling this product (unless otherwise specified)
- ✘ Never move your furniture with items inside or resting on the surface
- ✘ Do not attempt to use this product before all steps have been completed



Watch assembly videos right on your phone or computer!



Some steps include QR codes that link to helpful videos. Watch out for the icon below! Simply open up your smartphone camera to scan the code.

(Users of older smartphones may need to install a QR Reader.)

SCAN HERE



FOR VIDEOS

Or visit <https://www.bushbusinessfurniture.com/CustomerService/HowtoAssemble.aspx>

IMPORTANT SAFETY INFORMATION



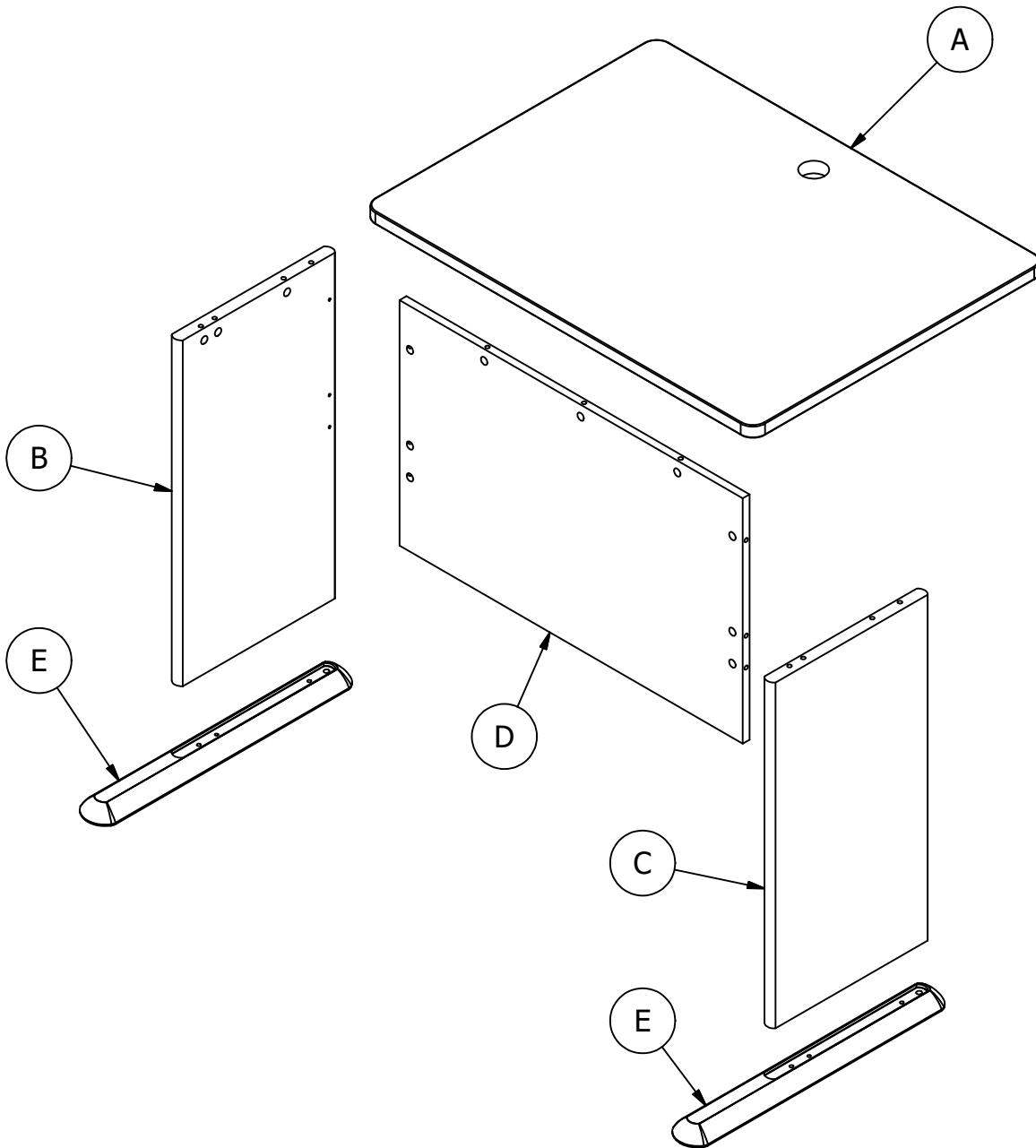
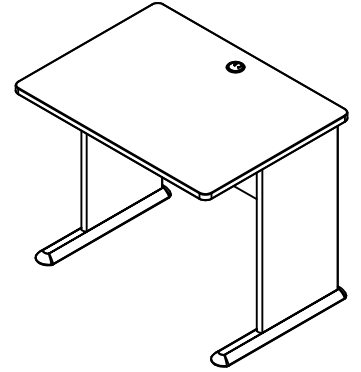
PLEASE READ WARNINGS

Improper use can cause safety hazards, or damage to your furniture and household items.

Warning	Do	Don't	Why it's important
Serious injury may occur.	<ul style="list-style-type: none">Assemble following all instructions using all indicated parts and hardware provided.	<ul style="list-style-type: none">Do not move unit when loaded.Do not load with a television or other heavy equipment.Do not exceed the maximum load limits stated in the instructions.	Improper assembly, use or loading can lead to product instability, tipover, or collapse.

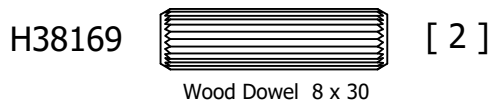
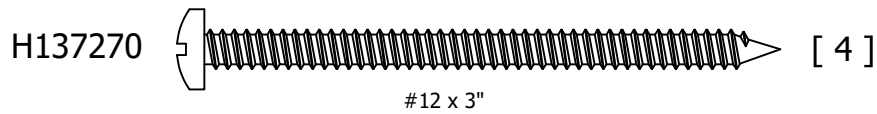
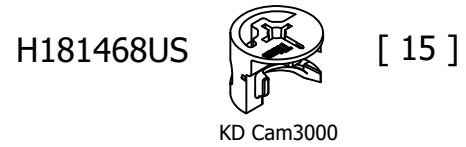
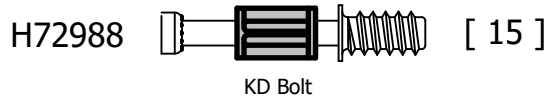
Advertencia	Hacer	No	Por qué es importante
Pueden producirse lesiones graves.	<ul style="list-style-type: none">Realice el montaje siguiendo todas las instrucciones y utilizando todas las piezas indicadas y los herrajes suministrados.	<ul style="list-style-type: none">No mueva la unidad cuando esté cargada.No cargue el mueble con un televisor u otro equipo pesado.No supere los límites máximos de carga indicados en las instrucciones.	El montaje, uso o carga inadecuados pueden provocar inestabilidad, vuelco o colapso del producto.

Avertissement	À faire	À ne pas faire	Pourquoi c'est important
Peut entraîner des blessures graves.	<ul style="list-style-type: none">Assembler en suivant toutes les instructions et en utilisant toutes les pièces et la quincaillerie incluses.	<ul style="list-style-type: none">Ne pas déplacer le meuble lorsqu'il est chargé.Ne pas charger le meuble avec un téléviseur ou tout autre équipement lourd.Ne pas dépasser les limites de poids maximales indiquées dans les instructions.	Un assemblage, une utilisation ou un chargement incorrects peuvent entraîner l'instabilité, le basculement ou l'effondrement du produit.



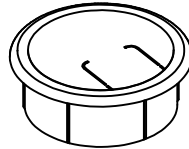
Have an assembly question or need a replacement part? Just call **1-800-950-4782**, we are here to help.

Fasteners are shown actual size.



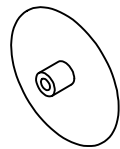
Have an assembly question or need a replacement part? Just call
1-800-950-4782, we are here to help.

Hardware not to scale.



[1]

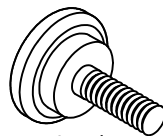
Grommet



[15]

Cover Cap

H95317



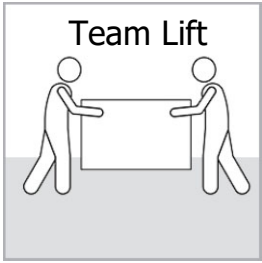
[4]

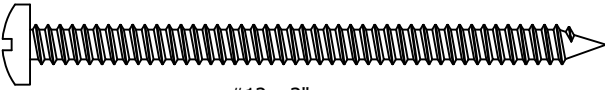
Leveler

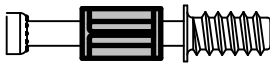
STEP 1

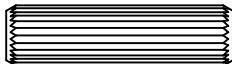
Prepare Panels

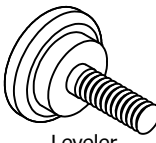
A206761B

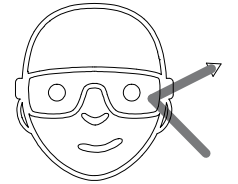


H137270  [4]
#12 x 3"

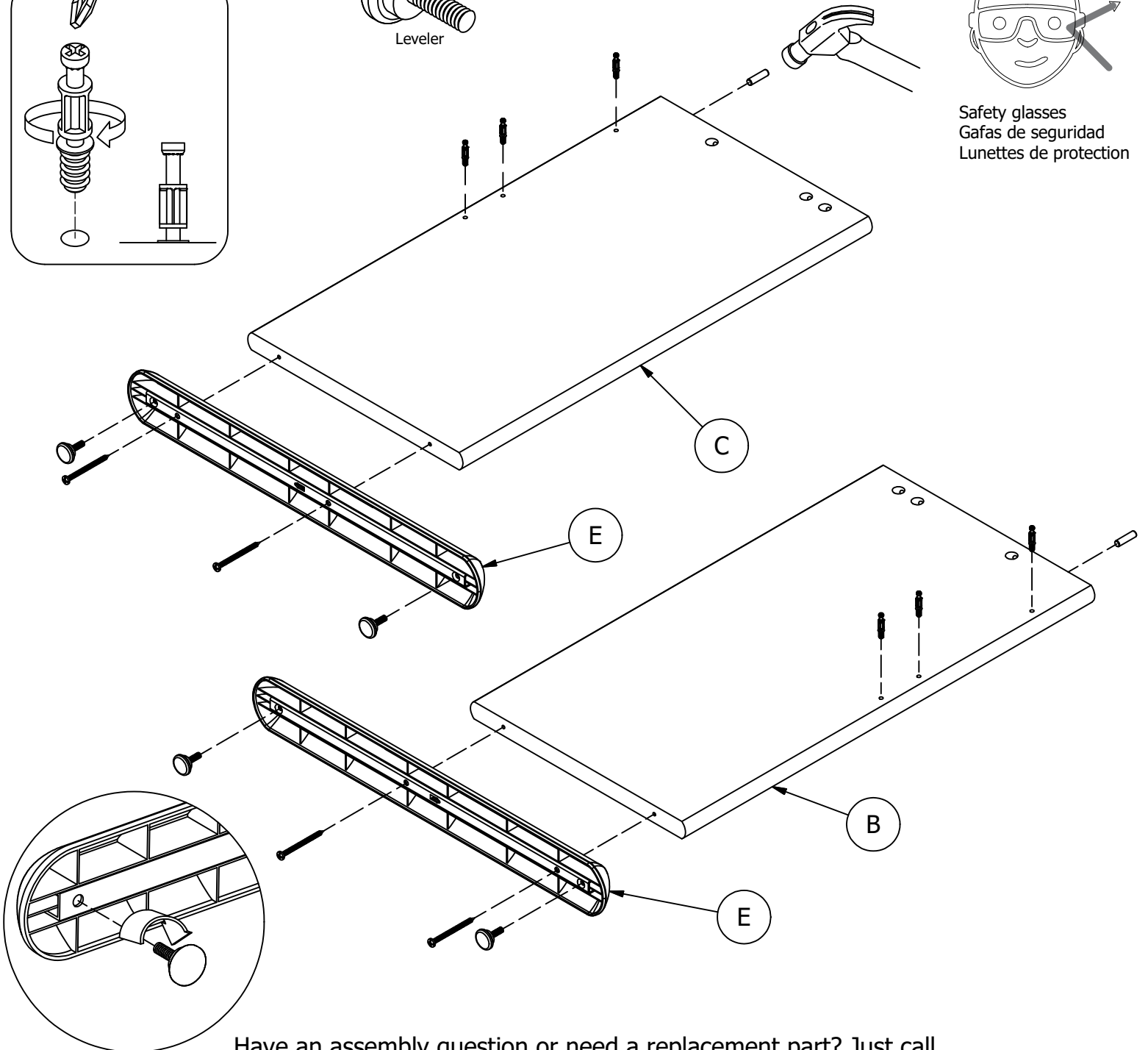
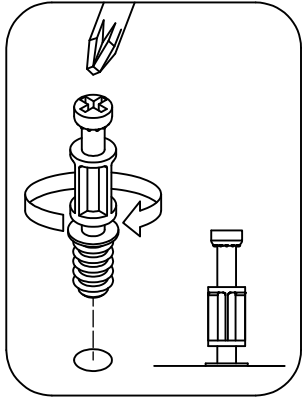
H72988  [6]
KD Bolt

H38169  [2]
Wood Dowel 8 x 30

H95317  [4]
Leveler



Safety glasses
Gafas de seguridad
Lunettes de protection



Have an assembly question or need a replacement part? Just call
1-800-950-4782, we are here to help.

STEP 2

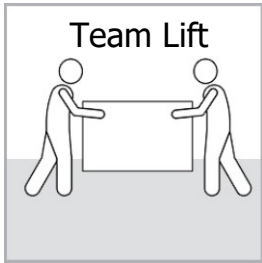
Assemble Panels

A206761B

Scan QR Code to Watch Video on:



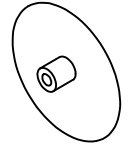
How to Tighten KD Cams



H181468US

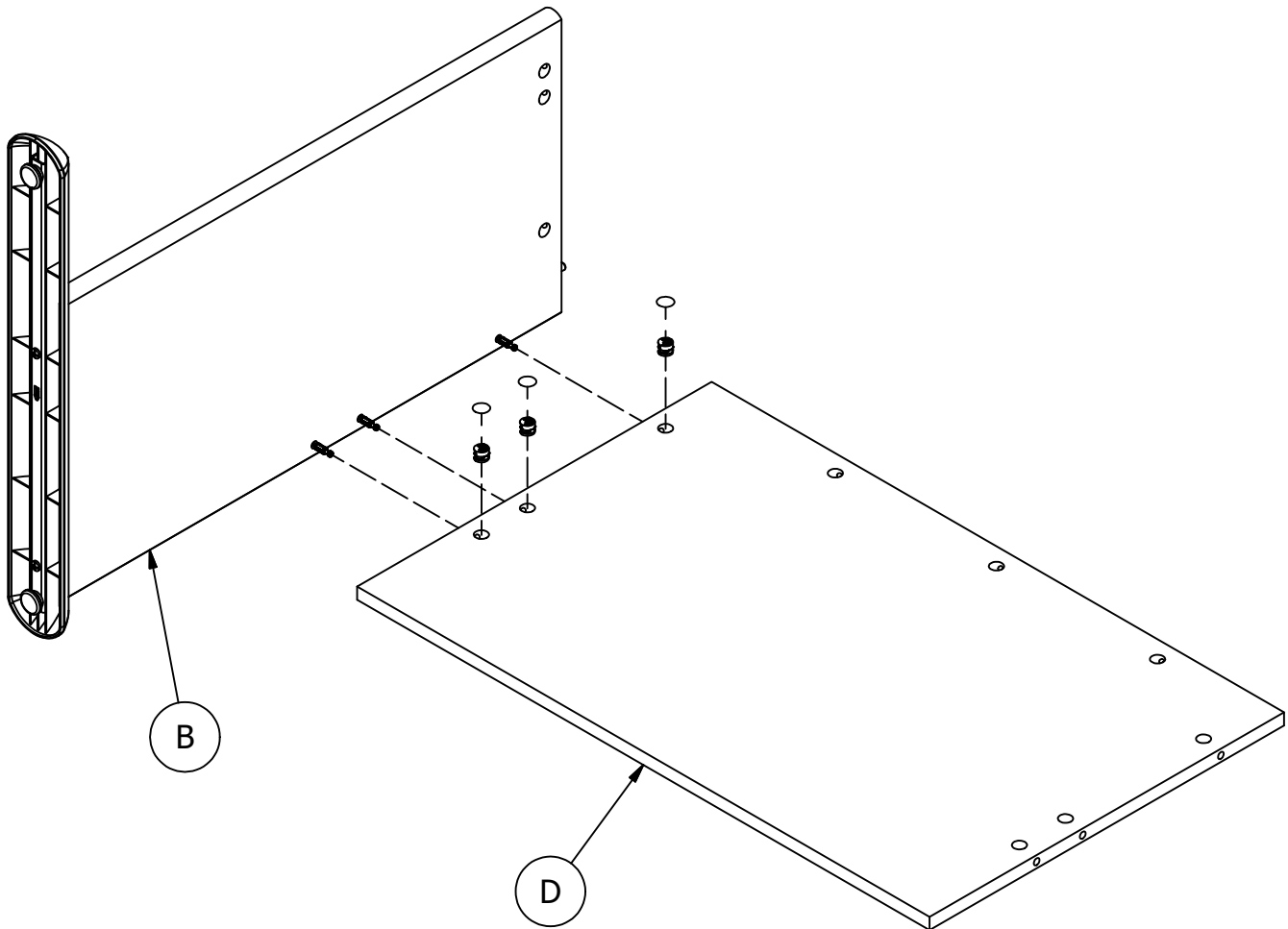
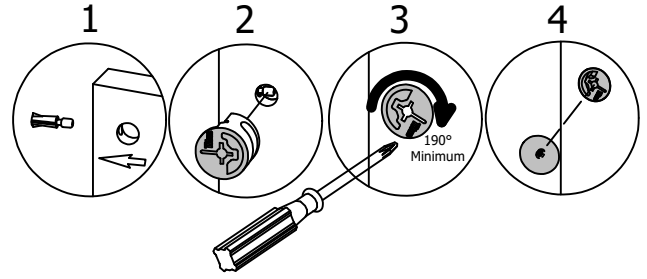


[3]



[3]

Cover Cap



Have an assembly question or need a replacement part? Just call **1-800-950-4782**, we are here to help.

STEP 3

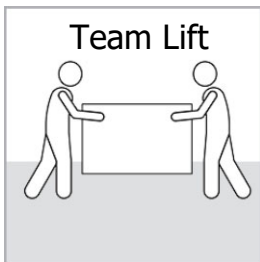
Assemble Panels

A206761B

Scan QR Code to Watch Video on:



How to Tighten KD Cams

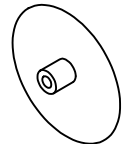


H181468US



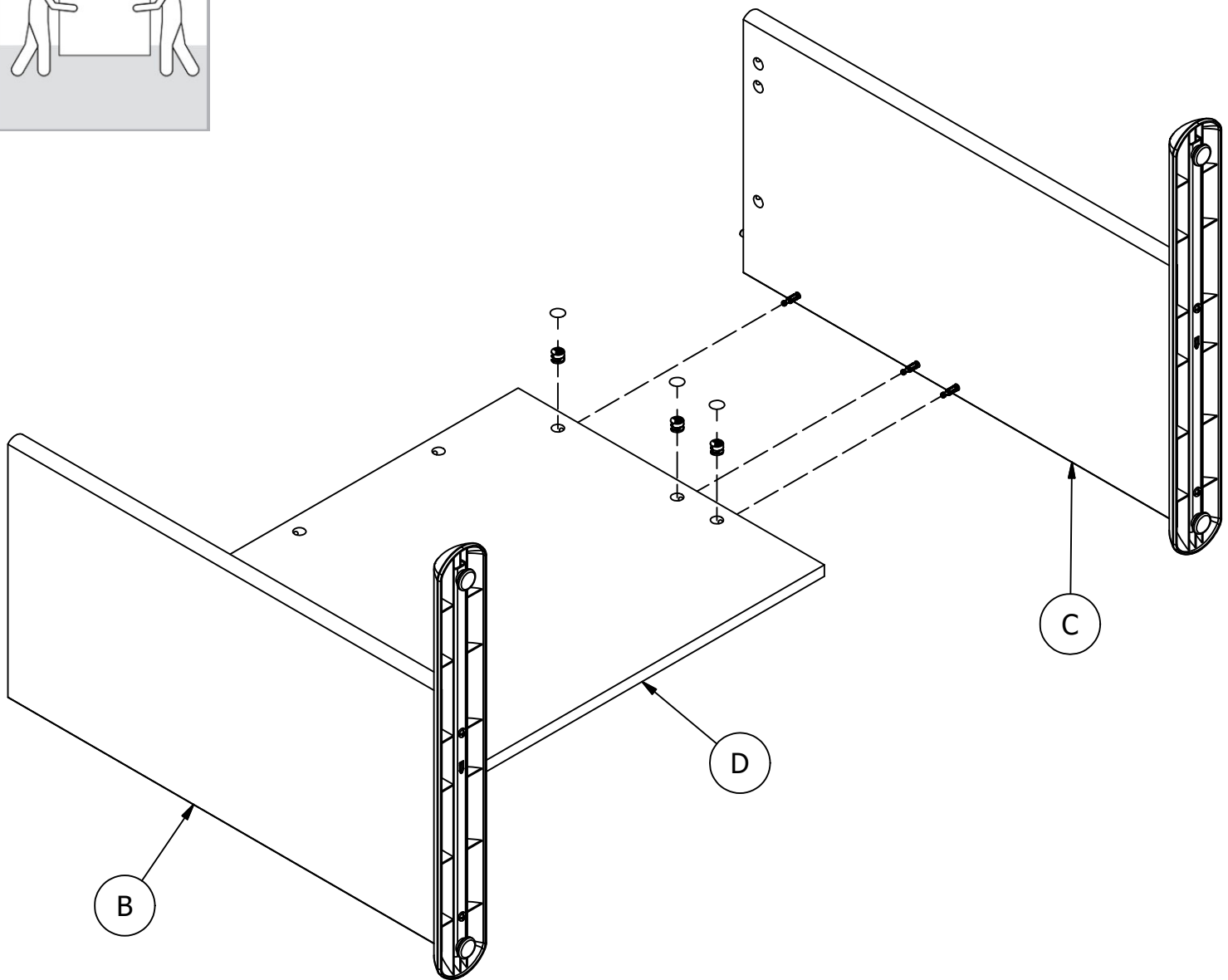
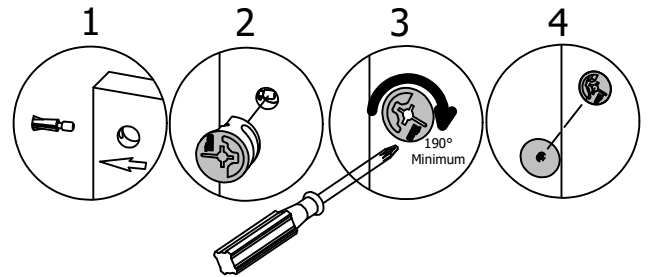
[3]

KD Cam3000



[3]

Cover Cap



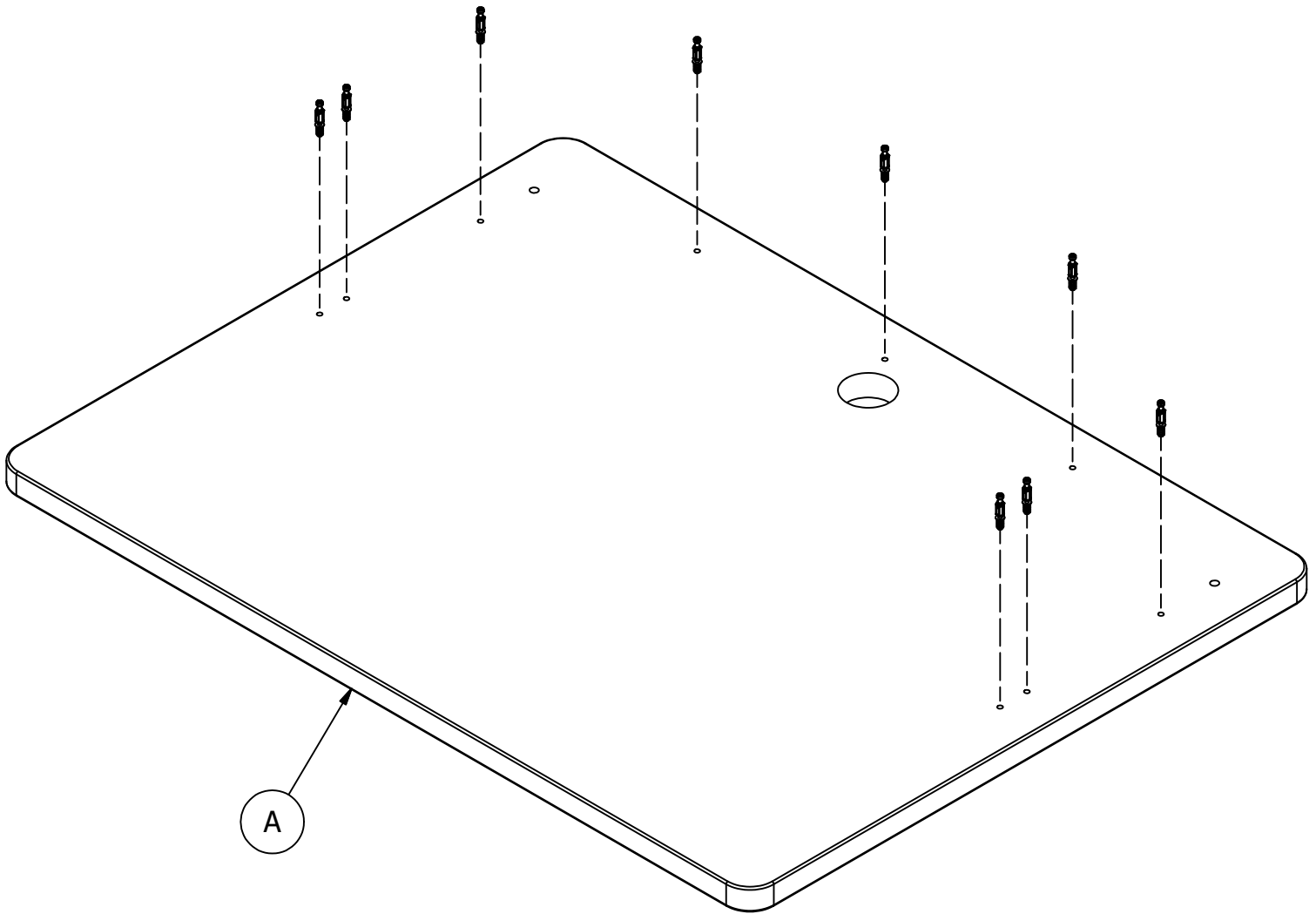
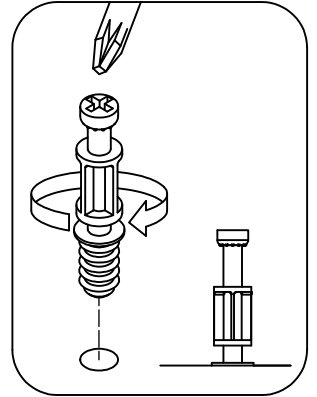
Have an assembly question or need a replacement part? Just call **1-800-950-4782**, we are here to help.

STEP 4

Prepare Panel

A206761B

H72988 [9]
KD Bolt



Have an assembly question or need a replacement part? Just call **1-800-950-4782**, we are here to help.

STEP 5

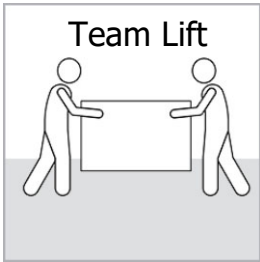
Assemble Panels

A206761B

Scan QR Code to Watch Video on:



How to Tighten KD Cams

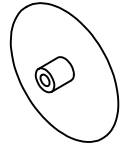


H181468US



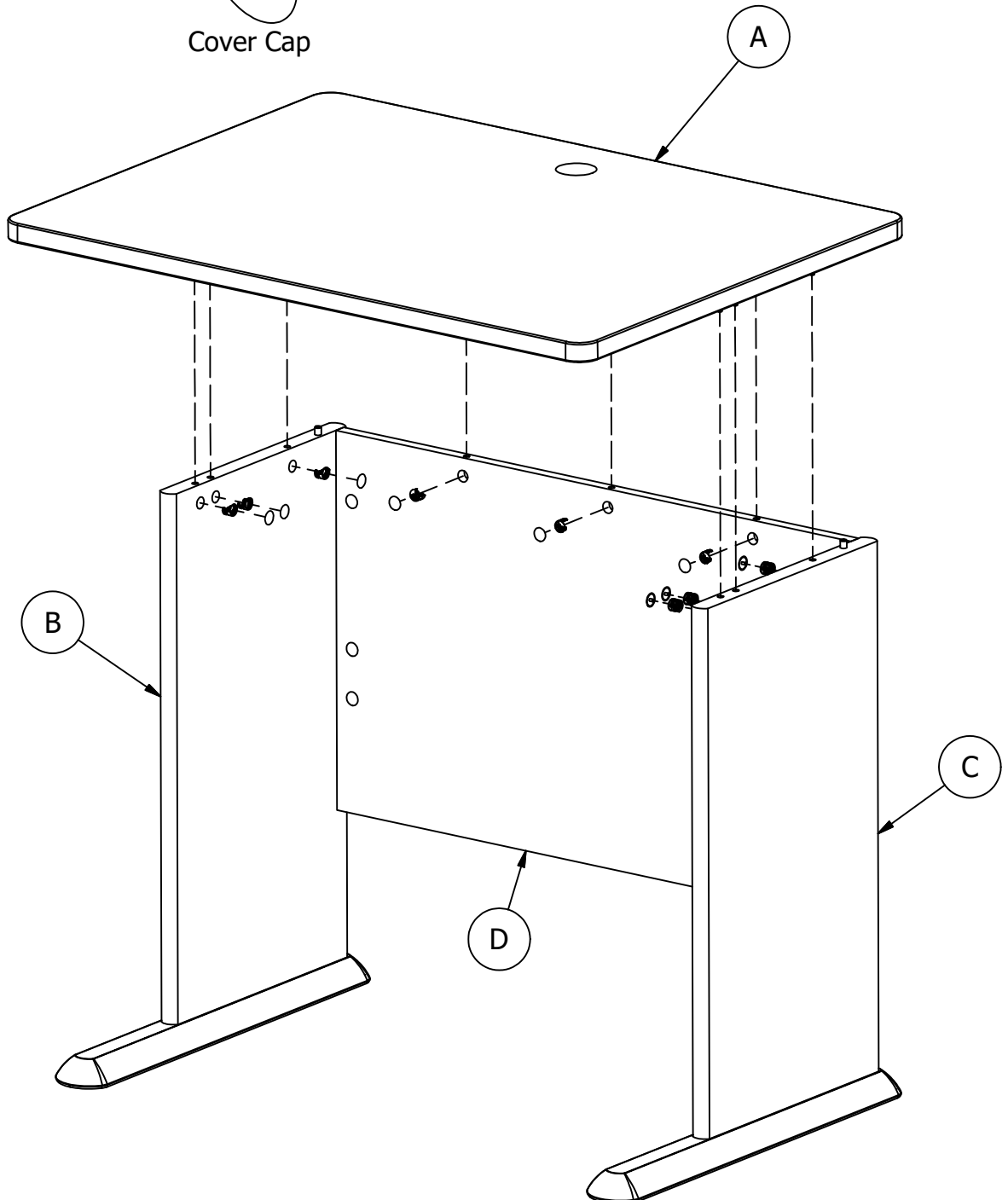
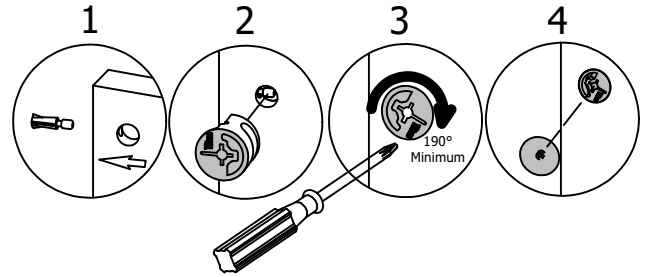
[9]

KD Cam3000



[9]

Cover Cap



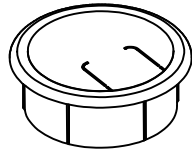
Have an assembly question or need a replacement part? Just call **1-800-950-4782**, we are here to help.

Scan QR Code to Watch Video on:



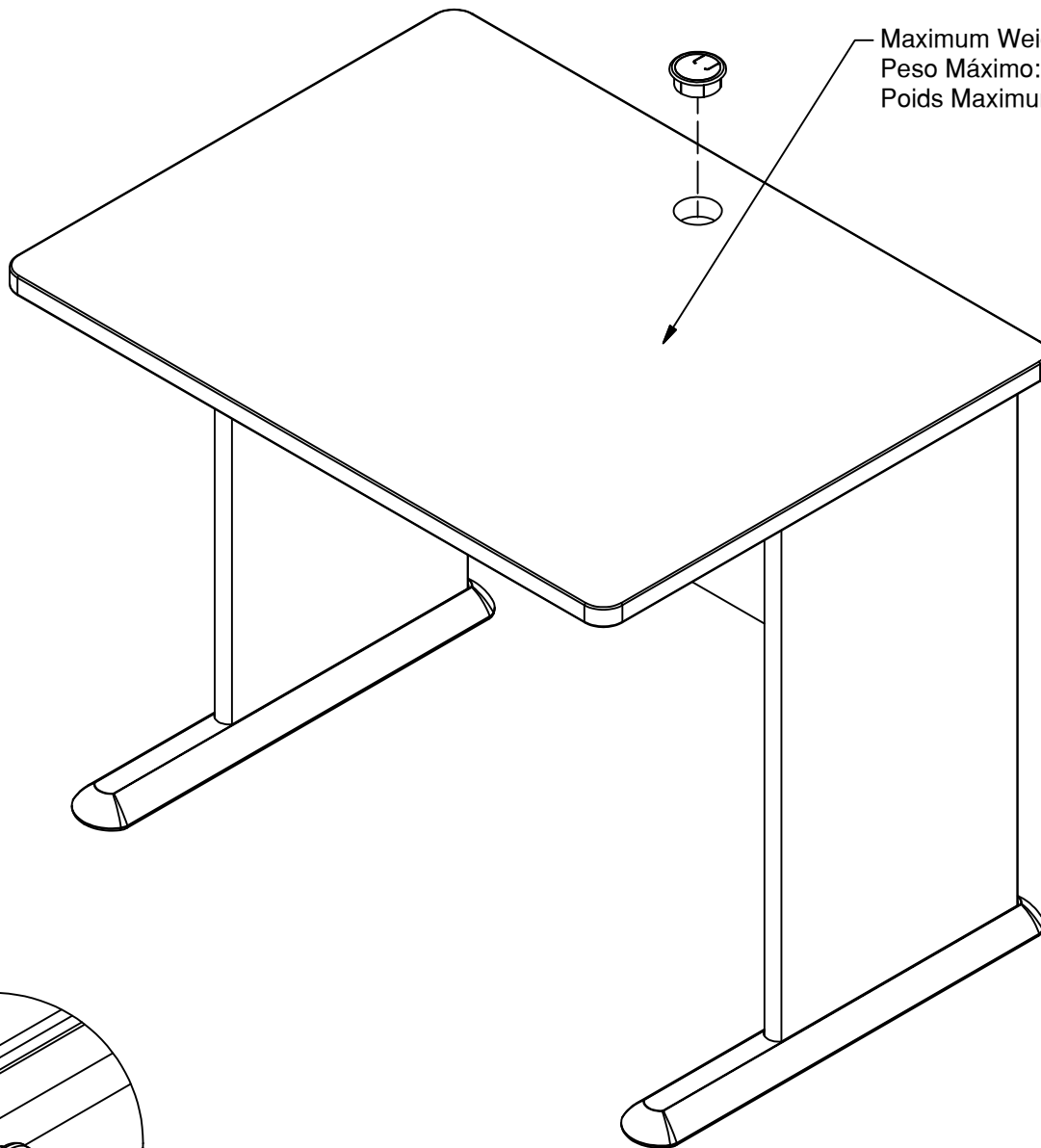
How to Clean the Surface

Gently clean surfaces with a damp sponge eraser.

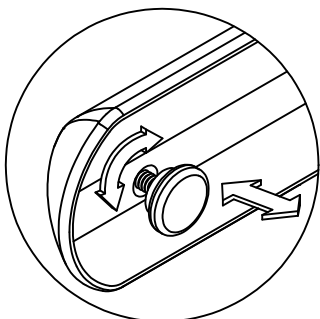


Grommet

[1]



Maximum Weight: 200 Lbs.
Peso Máximo: 200 Libras
Poids Maximum: 90.7 kilogramme



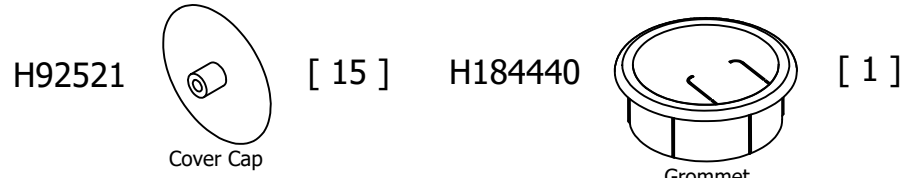
Congratulations! You are all done. If you have any questions or concerns, please call.

Have an assembly question or need a replacement part? Just call **1-800-950-4782**, we are here to help.

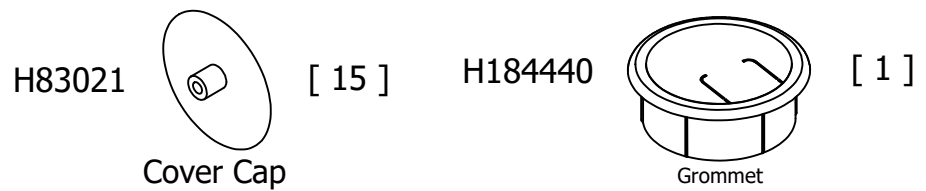
PARTS LIST

A206761B

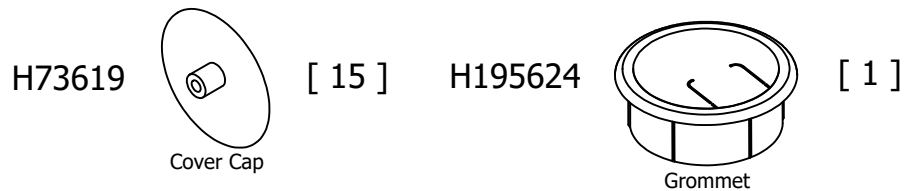
SDD136SG		
LABEL CODE	PART NUMBER	QTY
A	W206762	1
B	W206736	1
C	W206737	1
D	W206763	1
E	Q162771	2



SDD136PG		
LABEL CODE	PART NUMBER	QTY
A	W206764	1
B	W206740	1
C	W206741	1
D	W206765	1
E	Q162771	2



SDD136WH		
LABEL CODE	PART NUMBER	QTY
A	W206766	1
B	W206744	1
C	W206745	1
D	W206767	1
E	Q162771	2

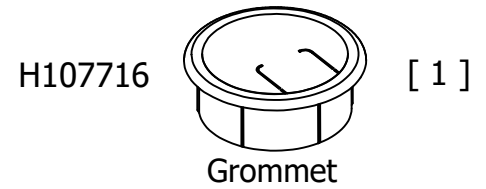
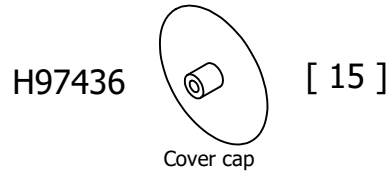


Have an assembly question or need a replacement part? Just call
1-800-950-4782, we are here to help.

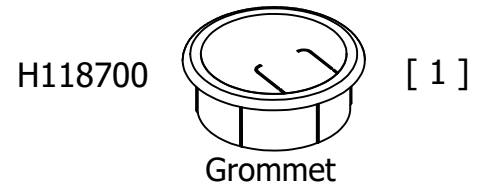
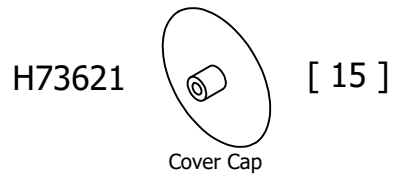
PARTS LIST

A206761B

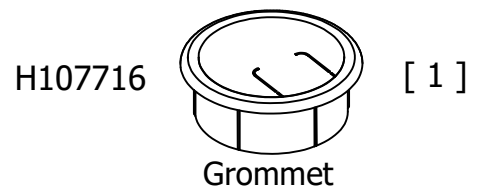
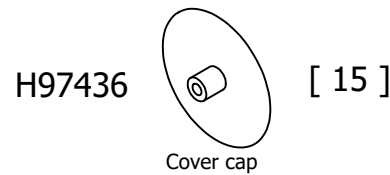
WC57436		
LABEL CODE	PART NUMBER	QTY
A	W214455	1
B	W214456	1
C	W214457	1
D	W218078	1
E	Q137291	2



WC90436A		
LABEL CODE	PART NUMBER	QTY
A	W214459	1
B	W214460	1
C	W214461	1
D	W218079	1
E	Q162771	2



WC8436A		
LABEL CODE	PART NUMBER	QTY
A	W214463	1
B	W214456	1
C	W214457	1
D	W218078	1
E	Q137291	2



Have an assembly question or need a replacement part? Just call
1-800-950-4782, we are here to help.