

# Installation Instructions

## Heated Airbath

Record your model number:  
Noter le numéro de modèle:  
Anoté su número de modelo: \_\_\_\_\_

Français, page 11  
Español, página 20

**KOHLER**®

# Thank You for Choosing KOHLER

---


Need help? Contact our Customer Care Center.

- USA/Canada: 1-800-4KOHLER (1-800-456-4537) Mexico: 001-800-456-4537
- Service parts: [kohler.com/serviceparts](http://kohler.com/serviceparts)
- Care and cleaning: [kohler.com/clean](http://kohler.com/clean)
- Patents: [kohlercompany.com/patents](http://kohlercompany.com/patents)

## Installation Instructions

---

 **WARNING:** When using electrical products, basic precautions should always be followed, including the following:

 **DANGER:** Risk of electric shock. Connect only to a circuit protected by a Ground-Fault Circuit-Interrupter (GFCI)\*.


Building materials and wiring should be routed away from the blower body and other heat-producing components of the unit.


Install to permit access for servicing.


A pressure wire connector marked "Earth/Ground" is provided within the wiring compartment. To reduce the risk of electric shock, connect this connector to the grounding terminal of your electric service or supply panel with copper wire equivalent in size to the circuit conductor supplying this equipment.

A pressure wire connector is provided on the exterior of the pump or control within this unit to permit connection of a bonding conductor between this unit and all the other exposed metal in the vicinity, as needed to comply with local requirements.

**NOTICE: Grounding is required.** The unit should be installed and grounded by a qualified service representative.

 **WARNING: Risk of injury or property damage.** Read all instructions thoroughly before beginning installation.

 **WARNING: Risk of electric shock.** A qualified electrician should make all electrical connections.

 **WARNING: Risk of electric shock.** Disconnect the power before installation or servicing.

**NOTICE: Follow all plumbing, building, and electrical codes.** In Canada, install this unit in accordance with the Canadian Electrical Code, Part 1.

\*Outside North America, this may be known as a Residual Current Device (RCD).

## Product Information

---

### Electrical Requirements

The installation must have **two** Class A Ground-Fault Circuit-Interrupters (GFCI). The GFCI protects against line-to-ground shock hazard. **Use a 120 V, 15 A, 60 Hz dedicated service for the blower. Use a separate 120 V, 15 A, 60 Hz dedicated service for the bubble heater.**

If the blower supply cord is damaged, it must be replaced by the manufacturer, its service agent, or similarly qualified persons in order to avoid a hazard.

### Product Notices

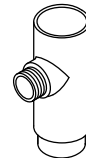
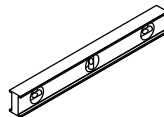
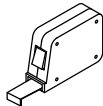
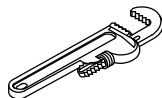
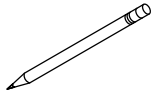
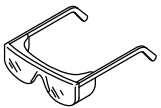
**IMPORTANT!** The recommended operating pressure for this system is 35-60 psi (241-414 kPa).

**NOTICE:** Keep the area around the blower clean and free of debris. Verify that the area around the blower is free of sawdust, insulation, dirt, and other small loose debris. Such material can block the blower air ducts and reduce the air flow through the blower.

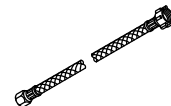
**NOTICE:** This product contains an automatic water purge mode that turns the blower on for 5 minutes after the unit is turned off and drained.

## Tools and Materials

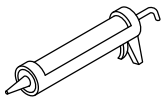
---



1/2 NPT Brass



1/2"



100% Silicone Sealant

### Plus:

\* *Do not use gypsum cement.*

- Conventional Woodworking Tools and Materials
- Drop Cloth
- Construction Adhesive (Optional)
- Cement\* or Mortar (Optional)
- 2x4s
- Plastic Film (Optional)
- 1/8" (3 mm) Spacers

## Before You Begin

---

**NOTICE:** Measure your product for site preparation. Note the model number located on the bath blower, then visit the product page at [us.kohler.com](http://us.kohler.com) for more information.

**NOTICE:** Remote blower installation kit K-1446 is available for relocating the blower.

**NOTICE: Provide generous, unrestricted access to the blower.** You must provide access for servicing the blower. The access must be located immediately next to the blower.

**NOTICE:** Do not lift the bath by the piping or blower, or use the piping or blower for structural support of the bath. To avoid damage to the bath, lift at the sides of the bath.

**NOTICE:** Do not support the weight of the bath by the rim. Plan to shim under the bath as needed when leveling the bath.

**NOTICE:** Drop-in models are not intended for alcove installation. Use a flanged model for alcove installations.

**NOTICE:** Drop-in, alcove, or corner installation is possible, depending on the product chosen.

**NOTICE:** Verify that the flooring offers adequate support for your bath, and verify that the subfloor is flat and level.

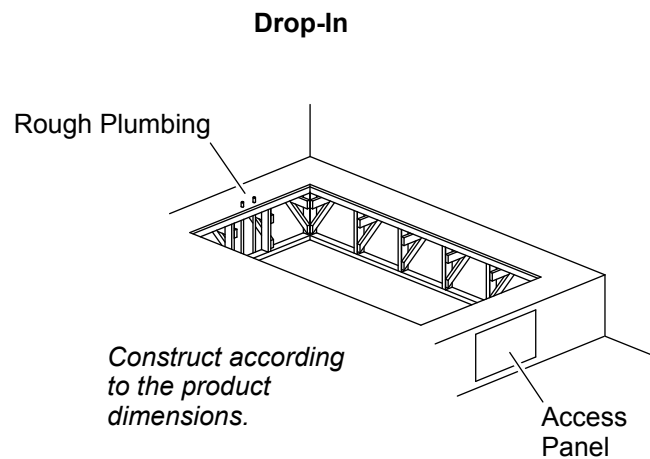
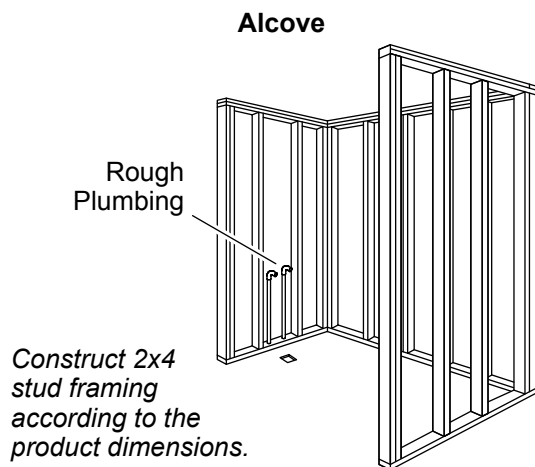
**NOTICE:** This product requires remote blower installation. **Refer to the instructions included with the remote blower kit before proceeding.**

**NOTICE:** Provide adequate ventilation and a minimum 15 cubic feet (.4 cubic meters) of air space in the installed location for cooling the motor and to supply sufficient air for the blower. Do not install the blower motor closer than 1" (25 mm) from the wall or other objects.

Carefully unpack and inspect the new bath for damage before installation. If there is damage do not install the bath; contact your dealer.

# 1. Prepare the Site

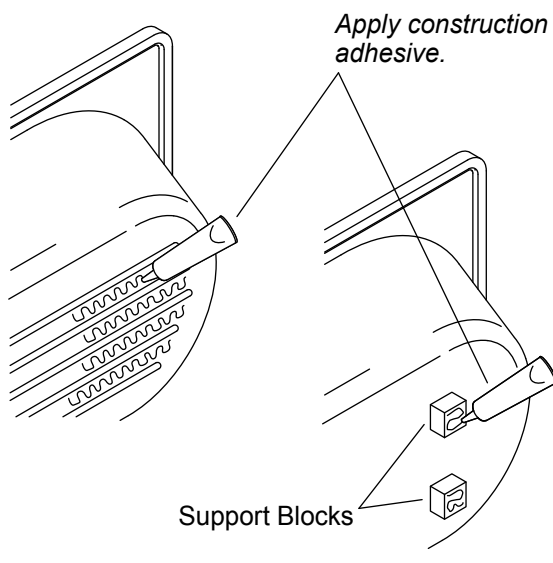
---



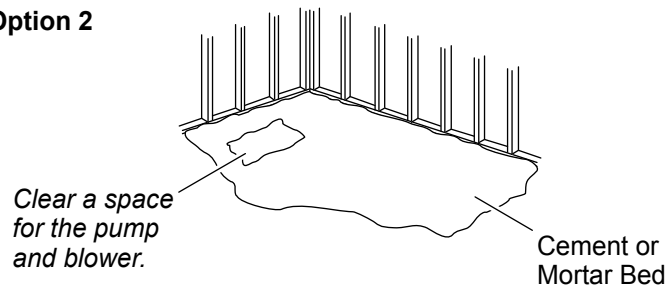
- Construct 2x4 stud framing according to the product dimensions.
- Install an access panel for future blower servicing. The access panel must be at least 30" (762 mm) wide by 15" (381 mm) high. Integrated apron models have access panels included in the apron designs.
- Install the rough plumbing.
- Install the drain to the bath according to the drain manufacturer's instructions.
- Protect the bath surface by positioning a clean drop cloth in the bowl bottom.

## 2. Install the Bath

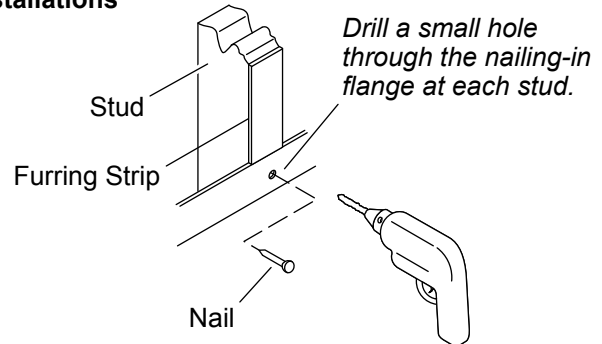
### Option 1



### Option 2



### Alcove Installations



**IMPORTANT!** Use maximum 1/8" (3 mm) thick spacers under the bath rim to verify that the rim does not contact the deck.

**NOTICE:** Do not lift the bath by the piping or blower, or use the piping or blower for structural support of the bath. To avoid damage to the bath, lift by the rim at the sides of the bath.

- If the subfloor is not level, shim under the bath as needed.

### Option 1: Install Using Construction Adhesive

**NOTE:** Some models come with support blocks; some models have molded supports.

- Apply a generous amount of high-quality construction adhesive to the bottom of the support blocks or molded supports. With help, carefully lift the bath into position.
- Apply weight to the bath bowl until the adhesive sets.

### Option 2: Using a Cement or Mortar Bed

**NOTE:** Do not use gypsum cement or drywall compound for this application, as they will not provide an acceptable, durable bond.

**NOTE:** Lay plastic film on wooden subfloors if desired to prevent water absorption.

**NOTE: The blower must rest directly on the subfloor. The blower should not be in contact with mortar.**

- Set the bowl area in 1" (25 mm) to 2" (51 mm) of mortar cement.
- Apply weight to the bath bowl until the mortar sets.

### Secure the Nailing-In Flanges (Alcove Units)

- Drill a small pilot hole through the nailing-in flange at each stud. Add shims as needed.
- Use large-head galvanized nails to secure the nailing-in flange to the studs.

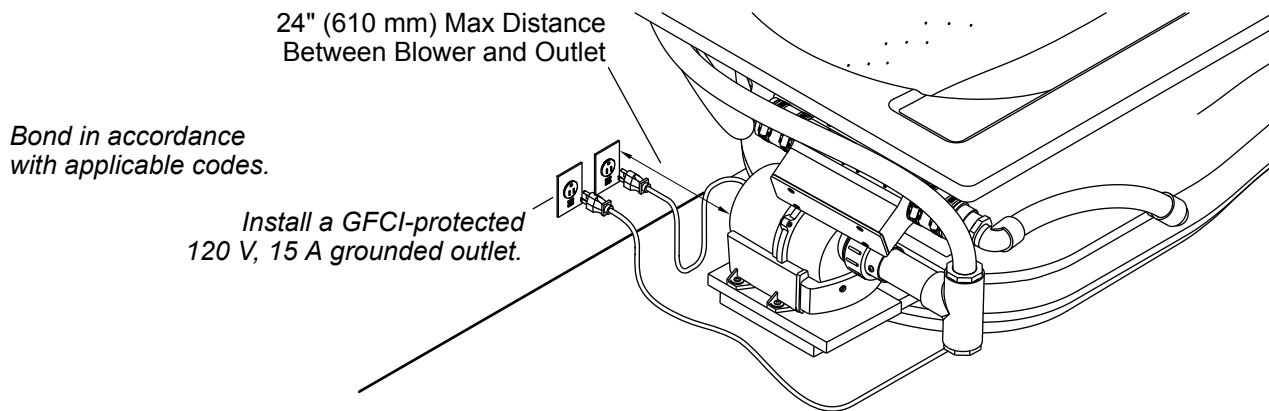
- Nail furring strips to the studs.

### **Install the Plumbing**

- Insert the drain tailpiece into the trapway. Secure the drain tailpiece to the trapway.
- Install the faucet valve.
- Check the drain connections for leakage.

### 3. Make the Electrical Connections

---



**⚠ DANGER: Risk of electric shock.** Connect the junction box, blower motor, and bubble heater to properly grounded, grounding-type receptacles protected by a Ground-Fault Circuit-Interrupter (GFCI)\*. Do not remove the grounding pins from the plugs. Do not use grounding adapters.

**⚠ WARNING: Risk of electric shock.** Verify that the power has been disconnected before performing the following procedures.

**NOTICE:** The blower and bubble heater are equipped with cords and plugs. A qualified electrician must install two GFCI\*-protected, 120 V, 15 A, grounded electrical outlets. No other loads should be on these circuits. The blower and bubble heater should not be combined onto one circuit.

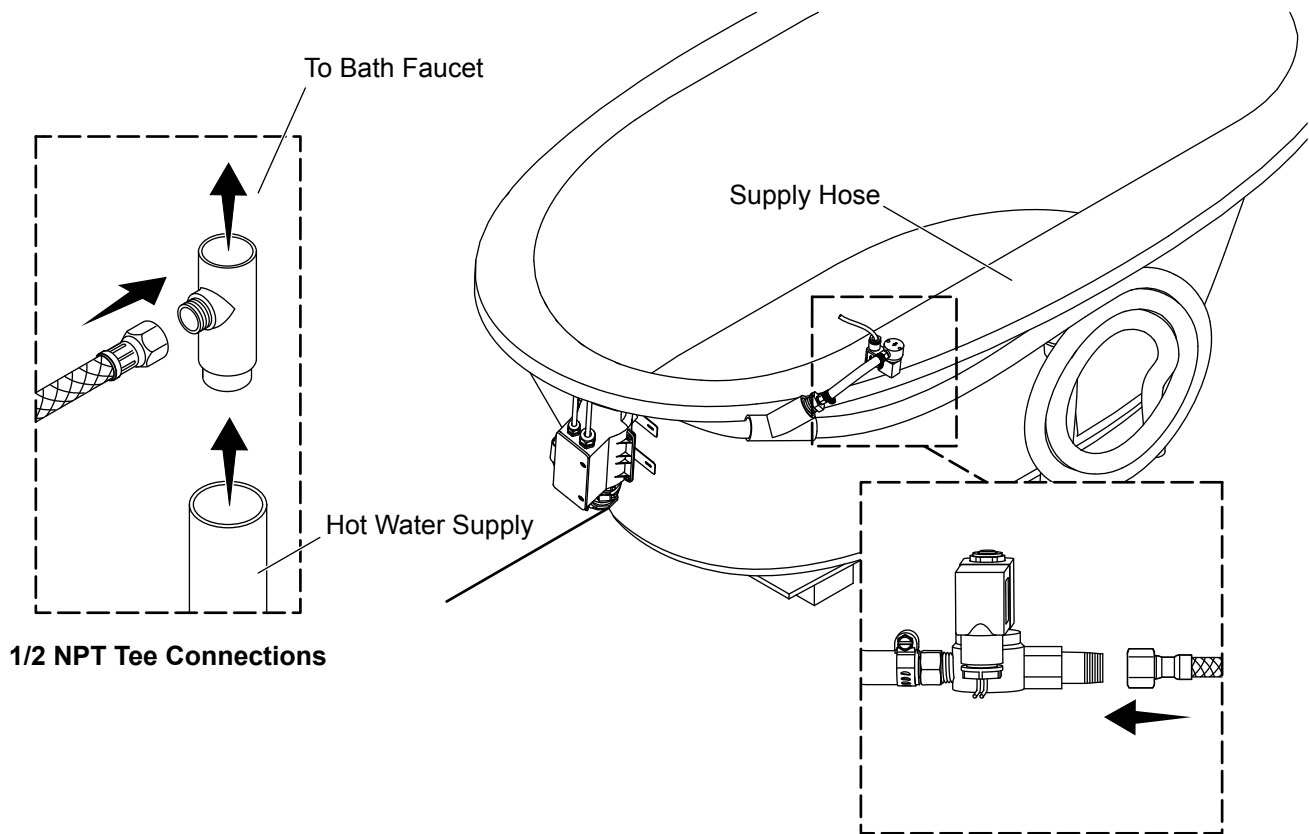
Install two GFCI\*-protected electrical outlets within reach of the 24" (610 mm) power cords.

Plug the blower cord into one of these GFCI\*-protected electrical outlets.

\*Outside North America, this device may be known as a Residual Current Device (RCD).

## 4. Connect the Bubble Heater

---



**NOTE:** The water supply setup may differ depending on the type bath or bath faucet that is installed.

- Install the tee (not supplied) to the hot water valve on the bath faucet.
- Thread the supply hose (not supplied) onto the 1/2" NPT port of the tee.
- Thread the opposite side of the supply hose into the 1/2" NPT brass nipple. **Do not kink the hoses.**
- Plug the bubble heater cord into the remaining GFCI\*-protected outlet.

\*Outside North America, this device may be known as a Residual Current Device (RCD).

## 5. Complete the Installation

---

### Test Run the Bath

- Fill the bath to a level at least 4" (102 mm) above the top of the highest airjet.
- Operate the bath for 5 minutes and check all bath piping connections for leaks. Check for leakage along the front, sides, and back of the bath.
- For additional information on bath operation, see the Homeowners Guide for this product.

### Finish the Installation

**IMPORTANT!** Kohler Co. strongly recommends the use of 100% silicone sealant as instructed. Other sealants with high filler contents should be avoided, as they may shrink, separate, and peel over time.

- Install water-resistant wallboard and all finished wall, deck, and floor materials.
- Apply a minimum 1/8" (3 mm) bead of 100% silicone sealant to seal all areas where the bath and finished wall or deck meet.
- Install the faucet trim.

#### **Clean-up After Installation**

- When cleaning up after installation, **do not use abrasive cleansers**, as they may scratch and dull the bath surface. Use warm water and a liquid detergent to clean the surface of the bath.
- Remove stubborn stains or paint with turpentine or paint thinner. **Do not allow cleaners containing petroleum distillates to remain in contact with any bath surface for long periods of time.** Remove plaster by carefully scraping with a wood edge. Do not use metal scrapers, wire brushes, or other metal tools. Use a powder-type detergent on a damp cloth to provide mild abrasive action to any residual plaster.