

Seat shall be Comfort™ Seats

## Model Number C014WDS

Consumer Package Model # C3B4E2S

## Deluxe Molded Wood Toilet Seat

Elongated Closed Front with Cover

### Category

RESIDENTIAL

### Features

- EZ Close™ damper system
- Durable Molded Wood
- Multi-coat high gloss enamel paint
- UV paint color protection
- Top mount hinge
- Color matching hinge and bumpers
- Four bumpers on ring for stability
- Corrosion resistant stainless steel screws
- Corrosion proof POM nuts and bolts

### Seat Color/Finish

Specify white, bone or biscuit

### Hinge Color/Finish

Specify white, bone or biscuit

### Product Specifications

Hinge Design: Heavy duty EZ Close™ damper system

Ring Thickness: 3/4"

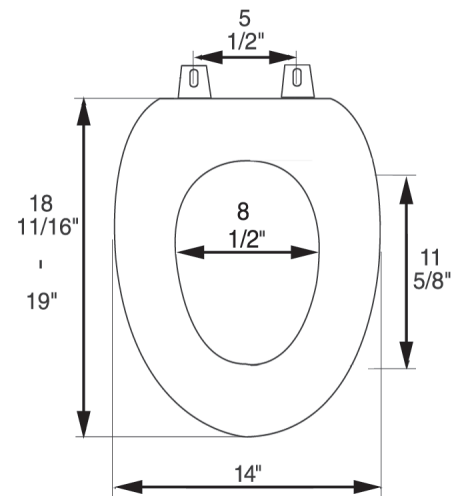
Ring Thickness with Bumper: 1 1/8"

Height of Seat with Cover: 2 1/4"

Size: ANSI Standard Toilet

### Additional Information

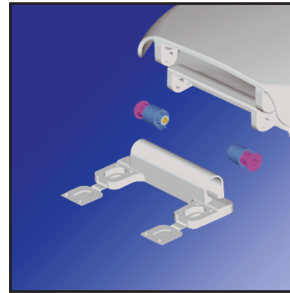
Comfort™ Seats molded wood utilizes the finest paint to seal and beautify the molded wood core with deep lustrous color and rock hard enamel durability.



Corrosion proof, self-aligning hardware



Factory-installed "living" hinge covers w/stainless steel screws



Heavy duty EZ Close™ damper system

