

Used for Model:
CT30796



Register Your Product Today
You will benefit from:

- Efficient and enhanced support
- Future product updates

Have a Question? Need a Part?

Please Do Not Return Product to Store!
Chat with us at www.lasko.com Monday-Friday 8am - 9pm EST
(Valid in U.S. and Canada only)

READ AND SAVE THESE INSTRUCTIONS

Read carefully before attempting to assemble, install, operate or maintain the product described. Protect yourself and others by observing all safety information. Failure to comply with instructions could result in personal injury and/or property damage!

This heater is for residential use only. It is not intended to be used in commercial, industrial or agricultural settings.



WARNING



IMPORTANT SAFETY INSTRUCTIONS

When using electrical appliances, these instructions and warnings should always be followed to reduce the risk of fire, electrical shock, injury to persons and hyperthermia:



Read all instructions before using this Heater.



WARNING



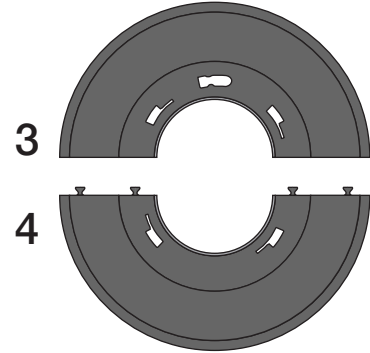
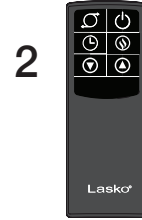
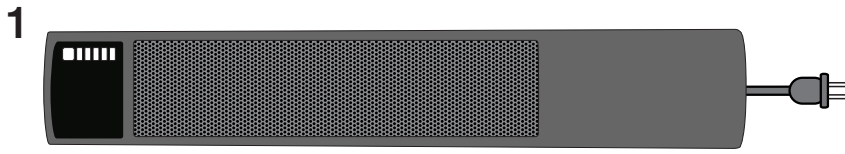
- **PLUG HEATERS DIRECTLY INTO A 120V WALL OUTLET/RECEPTACLE ONLY. NEVER USE WITH AN EXTENSION CORD. DO NOT PLUG HEATER INTO ANY OTHER CORD CONNECTED DEVICE, SUCH AS A POWER STRIP, SURGE PROTECTOR, MULTIPLE OUTLET ADAPTER, CORD REEL OR OUTLET-TYPE AIR FRESHENER. THE USE OF SUCH DEVICES MAY CREATE A FIRE HAZARD. DO NOT PLUG MULTIPLE DEVICES IN THE SAME OUTLET OR ON SAME CIRCUIT AS HEATER.**
- **FAULTY WALL OUTLET CONNECTIONS MAY CAUSE THE WALL OUTLET TO OVERHEAT. BE SURE THAT HEATER PLUG FITS TIGHTLY INTO OUTLET BEFORE EACH USE. DURING USE, CHECK TO MAKE CERTAIN THE HEATER PLUG IS NOT OVERHEATING. IF NECESSARY HAVE A QUALIFIED ELECTRICIAN CHECK AND/OR REPLACE THE WALL OUTLET. DO NOT USE THIS HEATER WITH ANY SOLID STATE SPEED CONTROL DEVICES.**
- Make certain that the power source conforms to the electrical requirements of the Heater.
- Extreme caution is necessary when any Heater is used by or near children or invalids. The Heater should not be left operating unattended. Never leave children unattended when the heater is on or plugged in.
- This appliance has a polarized plug (one blade is wider than the other). To reduce the risk of electric shock, this plug is intended to fit in a polarized outlet only one way. If the plug does not fit fully in the outlet, reverse the plug. If it still does not fit, contact a qualified electrician. Do not attempt to defeat this safety feature.
- **DO NOT use the Heater in areas where gasoline, paint, or flammable liquids are used or stored. DO NOT use Heater in locations where flammable or explosive chemicals are stored, or in wet atmospheres.**
- Do not operate any Heater with a damaged cord or plug or after the Heater malfunctions, or has been dropped or damaged in any manner. To disconnect Heater, turn the Heater OFF then remove the plug from the outlet.
- Always unplug Heater when not in use. Unplug power cord before servicing or moving the Heater.
- Do not insert or allow fingers or foreign objects to enter any ventilation or exhaust opening as it may cause an electric shock, fire, or damage the Heater. Do not block or tamper with the Heater in any manner while it is in operation.
- Do not block air intakes or exhaust in any manner. Do not place on soft surfaces, like a bed, where openings may become blocked. Do not depend on the on/off switch as the sole means of disconnecting power when servicing or moving the heater. Always unplug the power cord.
- Hyperthermia can result in death. Symptoms of hyperthermia include high body temperature, headache, nausea, vomiting, tiredness, dizziness, fainting, and rapid pulse. If you begin to experience symptoms related to hyperthermia, turn off the heater and seek medical attention.
- To avoid excessive room temperatures which can cause hyperthermia: **DO NOT** leave product running unattended in a confined space around infants, or individuals with reduced physical, sensory, or mental capabilities.

CAUTION

- Always place the Heater on a stable, flat, level surface when operating, to avoid the chance of the Heater overturning. Locate the Power Cord so the Heater or other objects are not resting on it. **DO NOT** run Power Cord under carpeting. **DO NOT** cover Power Cord with throw rugs, runners, or similar coverings as this may cause cord to overheat. Arrange Power Cord away from room traffic and where it will not be tripped over.
- This Heater is **HOT** when in use. To avoid burns, do not let bare skin touch hot surfaces. Always use handle when moving this Heater. Keep combustible materials, such as furniture, pillows, bedding, papers, clothes and curtains at least 3 feet (0.9 m) from the front of the Heater and keep them at least 1 foot (0.3 m) from the sides and rear.
- This Heater is not intended for use in wet or damp locations. This Heater is not intended for use in bathrooms, laundry areas and similar indoor locations. **NEVER** locate a Heater where it may fall into a bathtub or other water container.
- **DO NOT** use Heater outdoors.
- This Heater is not suitable for use in agricultural facilities including areas where livestock, poultry or other animals are confined. Please refer to National Electric Code (NEC) Article 547-7 (2008), or applicable state or local codes or standards relating to electrical requirements for Agricultural Buildings. **THIS HEATER DOES NOT MEET THE REQUIREMENTS OF NEC ARTICLE 547-7 (2008).**
- This Heater is not suitable for use in hazardous locations. Please refer to National Electric Code (NEC) Article 500 or applicable state or local codes or standards relating to electrical requirements for Hazardous locations. **THIS HEATER DOES NOT MEET THE REQUIREMENTS OF NEC ARTICLE 500 (2008).**
- Remote controls for other appliances or electronic equipment can sometimes interfere with the operation of this heater. If this occurs, move the heater to another location.
- Keep heater remote control unit away from chairs and your bed where it may be sat or laid upon and inadvertently turn on the heater.

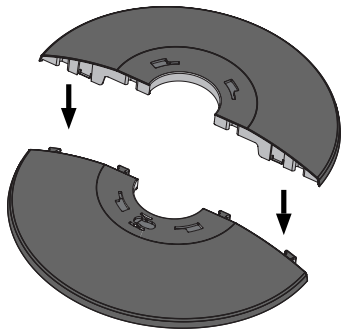
SAVE THESE INSTRUCTIONS

Parts Included

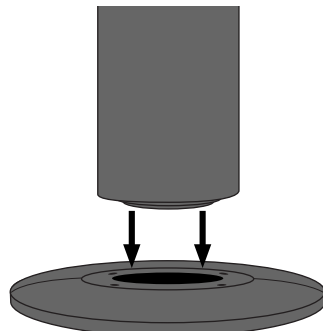


- ① Body
- ② Remote Control
- ③ Support Base A
- ④ Support Base B

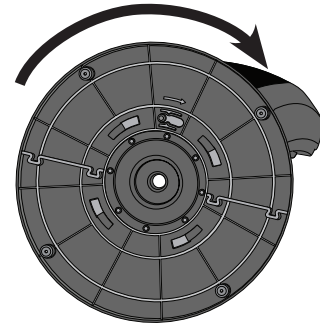
Assembly



1. Push the **Bosses** on **Support Base B** into the **Boss Slots** on **Support Base A**.



2. Align the **Support Base Assembly** with the **Body**.



3. Hold the **Body** in place while turning the **Support Base Assembly** clock-wise until it no longer turns and locks in place.

Controls

Power Button
Turn Heater ON/OFF by pressing the Power Button.



Timer Button
The timer can be set for up to 8 hours. Continue pressing the Timer Button to reach the desired time setting. Light turns red when activated.

Base Oscillation Button
Press to Start/Stop the Base Oscillation function.



Heat Mode Button
Press to cycle between High and Low Heat.

Automatic Temperature Control
Press to Decrease the desired room temperature.



Automatic Temperature Control
Press to Increase the desired room temperature.

* FOR MORE DETAILED DESCRIPTION OF AUTO ECO™ FUNCTION, SEE PAGE 4

AUTO ECO™ THERMOSTAT

Pressing the (▼) or (▲) buttons while in any Heater function or speed will turn on the Auto Eco™ function.

1. To set the room at a specific temperature press the (▼) or (▲) buttons to the desired temperature. The Unit is now in Auto Eco™ Mode.
2. When you reach the temperature at which you want to set the unit, the set temperature will flash several times and then the display will return to indicate the current room temperature and will gradually change as the room temperature changes. NOTE: the temperature display does not indicate the temperature of the heated air being emitted by the Unit.
3. Heater will run on HIGH heat when the ambient temperature is less than the set temperature.
4. Heater will run on LOW heat when ambient temperature reaches set temperature and will continue to run on LOW heat until ambient temperature reaches 2 degrees fahrenheit above set temperature.
5. Heater will turn OFF once the ambient temperature is greater than 2 degrees fahrenheit above set temperature. The fan will continue to run for 15 seconds after the heater element is turned off.

All of this happens automatically with Lasko Auto Eco™ Technology. To deactivate the Auto Eco™ function, turn the Unit off or press the Ⓞ button.

NOTE: In Auto Eco™, the Unit will display the current room temperature in ° Fahrenheit. Press the (▼) and (▲) buttons at the same time to change the display to ° Celsius. Press the same two buttons together again to change the display back to ° Fahrenheit.

SAFETY FEATURE

1. A thermal overload protector is built in to prevent overheating.
2. If an overheat temperature is reached, the Heater will automatically shut off. It can only resume operation when the user resets the unit.

To Reset Heater:

1. Unplug the Heater and wait 10 minutes for the Heater to cool down.
2. After the Heater has cooled down, plug the unit into a 120V~ electrical outlet and follow the operation instructions described in this manual.

TROUBLE SHOOTING TIPS

If your Heater shuts off unexpectedly or fails to operate, the previously mentioned safety feature may have been activated to prevent overheating.

1. Be sure the power cord is plugged into a working electrical outlet.
2. Make certain the batteries in the remote control are new and properly installed.
3. Check your Temperature setting. The Heater may be off because it has reached the desired temperature setting.
4. If your Heater runs for several minutes and shuts off repeatedly, your Heater may require cleaning. See Maintenance section below.

STORAGE: Store the Heater with these instructions in the original carton in a cool, dry place.

DISPOSITION: Corrugated packaging materials are recyclable. For environmentally responsible disposal of this product, contact your local waste service provider or visit www.1800recycling.com®.

MAINTENANCE

⚠ WARNING

To reduce the risk of electrical shock and fire please observe the following instructions. Cleaning the Heater regularly will help to maintain its efficiency.



- Always unplug the cord before moving, servicing or cleaning.
- NEVER place the Heater in or near water. DO NOT IMMERSE HEATER IN WATER.
- Clean the Heater only with a vacuum equipped with a brush attachment; the vacuum will remove the lint and dirt from the surface of the Heater.
- Vacuum intake grills every two weeks; this will help to maintain the optimum Heater performance.



- Use a toothbrush or other soft bristle brush to gently loosen any dirt not removed by the vacuum.
- NEVER attempt to take apart the Heater.
- Clean the body of the Heater with a soft cloth only.
- NEVER use ALCOHOL or SOLVENTS such as gasoline, benzene, paint thinner, or other harsh cleaners.

LASKO PRODUCTS, LLC LIMITED WARRANTY (VALID IN THE USA, ITS TERRITORIES, AND CANADA ONLY)

WHAT THIS WARRANTY COVERS: This product is warranted against defects in workmanship and/or materials.

HOW LONG THIS WARRANTY LASTS: This warranty extends only to the original purchaser of the product and lasts for three (3) years from the date of original purchase or until the original purchaser of the product sells or transfers the product, whichever first occurs.

WHAT LASKO WILL DO: Lasko will, at its sole option, repair or replace any part or parts that prove to be defective or replace the whole product with the same or comparable model. For all warranty claims, the product must be returned to Lasko Products, LLC at customer expense with proof of purchase within the warranty period. Contact the Lasko customer service department to obtain a Return Authorization ("RA"). DO NOT return products without an RA or the warranty claim will not be processed.

WHAT THIS WARRANTY DOES NOT COVER: This warranty does not apply if the product was damaged or failed because of accident, improper handling or operation, shipping damage, abuse, misuse, unauthorized repairs made or attempted, or the use of the product for commercial or nonresidential service. This warranty does not cover shipping costs for the return of products to Lasko for repair or replacement. Lasko will pay return shipping charges from Lasko following warranty repairs or replacement. ANY AND ALL WARRANTIES, EXPRESSED OR IMPLIED (INCLUDING, WITHOUT LIMITATION, ANY IMPLIED WARRANTY OF MERCHANTABILITY), LAST THREE YEARS FROM THE DATE OF ORIGINAL PURCHASE OR UNTIL THE ORIGINAL PURCHASER OF THE PRODUCT SELLS OR TRANSFERS THE PRODUCT, WHICHEVER FIRST OCCURS AND IN NO EVENT SHALL LASKO'S LIABILITY UNDER ANY EXPRESS OR IMPLIED WARRANTY INCLUDE (I) INCIDENTAL OR CONSEQUENTIAL DAMAGES FROM ANY CAUSE WHATSOEVER, OR (II) REPLACEMENT OR REPAIR OF ANY HOUSE FUSES, CIRCUIT BREAKERS OR RECEPTACLES. NOTWITHSTANDING ANYTHING TO THE CONTRARY, IN NO EVENT SHALL LASKO'S LIABILITY UNDER ANY EXPRESS OR IMPLIED WARRANTY EXCEED THE PURCHASE PRICE OF THE PRODUCT AND ANY SUCH LIABILITY SHALL TERMINATE UPON THE EXPIRATION OF THE WARRANTY PERIOD.

Some states and provinces do not allow limitations on how long an implied warranty lasts, or the exclusion or limitation of incidental or consequential damages, so these exclusions or limitations may not apply to you. This warranty gives you specific legal rights. You may also have other rights which vary from state to state and province to province. Proof of purchase is required before a warranty claim will be accepted.

CUSTOMER SERVICE:

Email: producthelp@lasko.com. Web: www.lasko.com

Our Customer Service team is available to assist you with product service questions and replacement parts. Chat with us at www.lasko.com Monday-Friday 8am - 9pm EST (Valid in U.S. and Canada only). Please have your model number available, as well as the type and style (located on the underside of your product).

Customer Service Dept.,
820 Lincoln Ave., West Chester, PA 19380 (Please do not send product to this location)

REMOTE CONTROL

All the functions performed with the Remote Control work identically to the manual controls except changing °F to °C.

1. Install two "AAA" batteries (not included).
2. Do not mix old and new batteries. Do not mix alkaline, standard (carbon-zinc) or rechargeable (nickel-cadmium) batteries.
3. DO NOT DISPOSE OF BATTERIES IN FIRE. BATTERIES MAY EXPLODE OR LEAK.
4. Always purchase the correct size and grade of battery most suitable for the intended use.
5. Replace all batteries of a set at the same time.
6. Clean the battery contacts and also those of the device prior to battery installation.
7. Ensure the batteries are installed correctly with regards to polarity (+ and -).
8. Remove batteries from equipment that is not to be used for an extended period of time.
9. Remove used batteries promptly.

Utilizado para Modelo:
CT30796



Registre su producto hoy

Podrás disfrutar de los siguientes beneficios:

- Soporte eficiente y avanzado
 - Actualizaciones acerca del producto en el futuro
- Escanee con un teléfono inteligente

Tiene Preguntas? Necesita una Parte?

Por favor no regrese el producto a la tienda!
Chatea con nosotros en www.lasko.com de lunes a
viernes de 8am a 9pm EST
(Válida solo en EE. UU. Y Canadá)

LEA Y GUARDE ESTAS INSTRUCCIONES

Lea cuidadosamente las instrucciones antes de intentar armar, instalar, usar o dar mantenimiento al producto descrito. Protéjase a sí mismo y a los demás cumpliendo con toda la información de seguridad. El no seguir las instrucciones podría resultar en lesiones personales y/o daños a la propiedad.

Este Calefactor es sólo para uso residencial. No está destinado para ser usado en instalaciones comerciales, industriales o agricultura.



ADVERTENCIA



INSTRUCCIONES DE SEGURIDAD IMPORTANTES

Cuando se utilicen aparatos eléctricos, estas instrucciones y advertencias siempre deben ser seguidas para reducir el riesgo de incendio, descarga eléctrica, lesiones a las personas e hipertermia:



Lea todas las instrucciones antes de usar este Calefactor.



ADVERTENCIA



• SÓLO CONECTE EL CALENTADOR DIRECTAMENTE A UNA TOMA DE CORRIENTE/CONECTOR DE PARED DE 120V. NUNCA UTILICE CON UN CABLE DE EXTENSIÓN. NO CONECTE EL CALENTADOR A CUALQUIER DISPOSITIVO CONECTADO A OTRO CABLE, TALES COMO UNA CAJA DE ENCHUFES, PROTECTOR CONTRA SOBRETENSIONES, ADAPTADORES DE SALIDA MÚLTIPLE, CARRETE DE CABLE, O LOS AMBIENTADORES CON SALIDA DE CORRIENTE. EL USO DE ESTOS DISPOSITIVOS PUEDE PROVOCAR UN PELIGRO DE INCENDIO. NO ENCHUFE VARIOS DISPOSITIVOS EN LA MISMA TOMA DE CORRIENTE O EN EL MISMO CIRCUITO DEL CALENTADOR.



• LAS CONEXIONES DE TOMAS DE CORRIENTE DE PARED DEFECTUOSAS PUEDEN CAUSAR QUE LA TOMA DE CORRIENTE SE RECALIENTE. ASEGÚRESE DE QUE EL ENCHUFE DEL CALENTADOR ENCAJA PERFECTAMENTE EN LA TOMA DE CORRIENTE ANTES DE CADA USO. DURANTE EL USO, VERIFIQUE PARA ASEGURARSE DE QUE EL ENCHUFE DEL CALENTADOR NO SE ESTÁ RECALENTANDO. SI ES NECESARIO, HAGA QUE UN ELECTRICISTA CALIFICADO REVISE Y/O REEMPLACE LA TOMA DE CORRIENTE DE PARED. NO UTILICE ESTE CALENTADOR CON ALGÚN DISPOSITIVO DE CONTROL DE VELOCIDAD DE ESTADO SÓLIDO.



• Asegúrese de que la fuente de alimentación se ajuste a los requerimientos eléctricos del Calentador.



• Es necesario tener un cuidado extremo cuando se utiliza un calentador alrededor o cerca de niños o personas con discapacidad. No se debe dejar el calentador operando sin supervisión. Nunca deje a los niños sin supervisión cuando el calentador esté encendido o conectado.



• Este artefacto tiene un enchufe polarizado (una clavija es más amplia que la otra). Para reducir el riesgo de descargas eléctricas, este enchufe ha sido diseñado para encajar en un tomacorriente polarizado de una sola manera. Si el enchufe no entra completamente en la toma de corriente, invierta el enchufe. Si aún no encaja, póngase en contacto con un electricista calificado. No trate de modificar esta función de seguridad.



• NO utilice el Calentador en áreas donde se use o almacene gasolina, pintura, o líquidos inflamables. NO utilice el Calentador en lugares donde se almacenen productos químicos inflamables o explosivos, o en ambientes húmedos.



• No opere el Calentador con un cable o enchufe dañado, cuando tenga una falla o cuando se haya caído o dañado en alguna manera. Para desconectar el Calentador, APAGUE el Calentador y luego retire el enchufe de la toma de corriente.



• Siempre desconecte el calentador cuando no esté en uso. Desconecte el cable de corriente antes de realizar el mantenimiento al Calentador o moverlo.



• No inserte ni permita que los dedos u objetos extraños ingresen en alguna apertura de la ventilación o el extractor, pues puede causar una descarga eléctrica o incendio, o dañar el Calentador. No bloquee ni intente forzar el Calentador en alguna manera mientras que está en funcionamiento.



• No bloquee las entradas de aire o el extractor en alguna manera. No coloque sobre superficies blandas, como la cama, donde las aberturas pueden bloquearse. No dependa del interruptor de encendido y apagado como el único medio de desconectar la corriente cuando mueva o realice mantenimiento al Calentador. Siempre desconecte el cable de corriente.



• La hipertermia puede provocar la muerte. Los síntomas de hipertermia incluyen temperatura corporal alta, dolores de cabeza, náuseas, vómitos, cansancio, mareos, desmayos y pulso acelerado. Si comienza a tener síntomas relacionados con la hipertermia, apague el calefactor y busque atención médica.

• Siga estas medidas de precaución para evitar tener temperaturas excesivamente altas que puedan provocar hipertermia en las habitaciones: NO deje el equipo funcionando sin control alguno en un espacio cerrado cerca de infantes o personas como capacidades físicas, sensoriales o mentales reducidas.



PRECAUCIÓN

• Siempre coloque el Calefactor en una firme, plana y nivelada durante la operación para evitar la posibilidad de que el calefactor se cae. Localice el cable de manera que el Calefactor de ventilador o de otros objetos que no son los mismos. No coloque el cable de alimentación debajo de alfombras. NO cubra el cable con tapetes, caminos estrechos o elementos de cobertura similares, ya que puede causar el cable se sobrecaliente. Coloque el cable de alimentación alejado de las personas y donde no se pueda tropezar.

• Este Calefactor está CALIENTE cuando está en funcionamiento. Para evitar quemaduras, no permita que la piel desnuda toque las superficies calientes. Siempre use la agarradera cuando traslade este Calefactor. Mantenga los materiales combustibles, tales como muebles, almohadas, ropa de cama, papeles, vestimenta y cortinas por lo menos a 3 pies (0.9 m) del frente del Calefactor y manténgalos por lo menos a 1 pie (0.3 m) de los costados y de la parte trasera.

• Este Calefactor no está diseñado para ser usado en lugares húmedos o mojados. Este Calefactor no está diseñado para usar en baños, áreas de lavandería o lugares interiores similares. NUNCA ubique un Calefactor en un lugar donde podría caer dentro de una tina de baño o cualquier otro recipiente de agua.

• No use Calefactores al aire libre.

• Este Calefactor no es adecuado para usar en instalaciones de agricultura incluyendo áreas donde se almacene ganado, aves de corral u otros animales. Por favor consulte el Artículo 547-7 (2008) del Código Eléctrico Nacional (NEC), o los códigos o normas estatales o locales aplicables con relación a los requisitos eléctricos para edificios destinados a las agricultura. **ESTE CALEFACTOR NO CUMPLE CON LOS REQUISITOS DEL ARTICULO 547-7 DEL NEC (2008).**

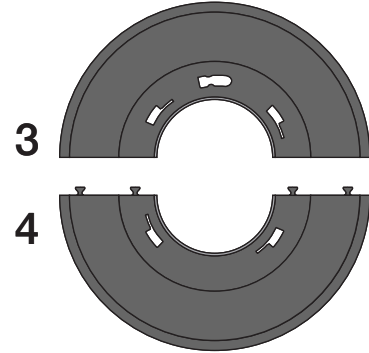
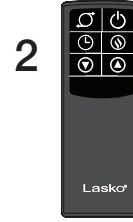
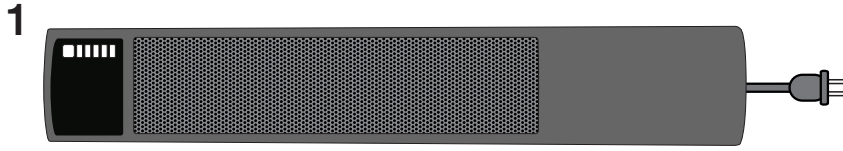
• Este Calefactor no es adecuado para usar en lugares peligrosos. Por favor consulte el Artículo 500 del Código Eléctrico Nacional (NEC), o los códigos o normas estatales o locales aplicables con relación a los requisitos eléctricos para lugares peligrosos. **ESTE CALEFACTOR NO CUMPLE CON LOS REQUISITOS DEL ARTICULO 500 (2008).**

• Cuando use el control remoto de su televisor u otro equipamiento, verifique para controlar que no encienda el Calefactor también.

• Mantenga la unidad de control remoto del Calefactor lejos de sillas y de su cama donde exista la posibilidad de que alguien se siente encima, deposite elementos sobre él o encienda el Calefactor inadvertidamente.

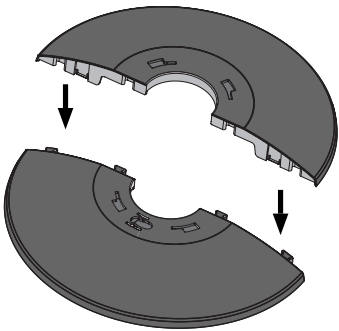
CONSERVE ESTAS INSTRUCCIONES

Partes Incluidas

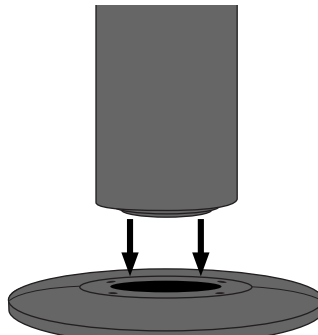


- ① Cuerpo
- ② Control Remoto
- ③ Base de Soporte A
- ④ Base de Soporte B

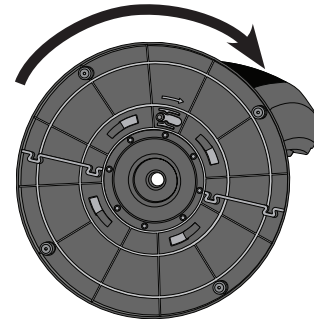
Ensamblaje



1. Empuje a los jefes en la **Base de Soporte B** en las ranuras del jefe en la **Base de Soporte A**.



2. Alinee la **Montura de la Base de Apoyo** con la **Cuerpo**.



3. Sostenga la **Cuerpo** en su lugar mientras gira la **Montura de la Base de Apoyo** en el sentido de las agujas del reloj hasta que deje de girar y encaje en su lugar.

Controles

Botón de Encendido
ENCENDIDO/APAGADO el Calefactor presionando el Botón de Encendido



Botón de Temporizador
El temporizador se puede configurar para 8 horas. Continúe pulsando el Botón del Temporizador para llegar a la configuración de tiempo deseada. La luz se vuelve roja cuando se activa.

Botón de Oscilación de Base
Presione para Iniciar/Detener la función de oscilación de la base.



Botón de Modo de Calor
Presione para alternar entre Calor Alto y Bajo.

Control Automático de la Temperatura
Presione para Disminuir la temperatura ambiente deseada.



Control Automático de la Temperatura
Presione para Aumentar la temperatura ambiente deseada.

* PARA UNA DESCRIPCIÓN MÁS DETALLADA DE FUNCIÓN AUTO ECO™, VER PÁGINA 8

AUTO ECO™ THERMOSTAT

Al presionar los botones (▼) o (▲) mientras se encuentra en las configuraciones de energía ALTA o BAJA, se encenderá la función Auto Eco™.

1. Para fijar una temperatura específica en la habitación, presione los botones (▼) o (▲) hasta la temperatura deseada. El Unidad está ahora en modo Auto Eco™.
2. Cuando se alcance la temperatura en la cual desea establecer la unidad, la temperatura fijada destellará varias veces y luego la pantalla volverá a indicar la temperatura ambiente actual y cambiará gradualmente a medida que cambie la temperatura ambiente. NOTA: La pantalla de la temperatura no indica la temperatura del aire caliente que emite el Unidad.
3. El calentador funcionará a ALTO calor cuando la temperatura ambiente sea menor que la temperatura establecida.
4. El calefactor funcionará con BAJA temperatura cuando la temperatura ambiente alcance la temperatura establecida y seguirá funcionando con BAJA temperatura hasta que la temperatura ambiente alcance 2 grados Fahrenheit por encima de la temperatura establecida.
5. El calentador se apagará una vez que la temperatura ambiente sea superior a 2 grados Fahrenheit por encima de la temperatura establecida. El ventilador seguirá funcionando durante 15 segundos después de que se apague el elemento calefactor.

Todo esto ocurre automáticamente con la tecnología Auto Eco™ de Lasko. Para desactivar la función Auto Eco™, apague el Unidad o presione el botón ☺.

NOTA: En el modo Auto Eco™, el Calefactor mostrará la temperatura ambiente actual en grados Fahrenheit. Presione los botones (▼) y (▲) al mismo tiempo para mostrar los grados Celsius. Presione los mismos dos botones juntos nuevamente para volver a mostrar los grados Fahrenheit.

ELEMENTOS DE SEGURIDAD

1. Hay un protector de sobrecarga térmica incorporado para evitar el sobrecalentamiento.
2. Si se alcanza una temperatura de sobrecalentamiento, el Calefactor se apagará automáticamente. Sólo podrá retomar el funcionamiento cuando el usuario reinicie la unidad.

Para Reiniciar el Calefactor:

1. Desconecte el Calefactor y espere 10 minutos hasta que la Unidad se enfríe.
2. Después que el Calefactor se haya enfriado, conecte la unidad a un tomacorriente eléctrico de 120V~ y siga las instrucciones de funcionamiento descriptas en este manual.

CONSEJOS DE SOLUCIÓN DE PROBLEMAS

Si su calefactor se apaga inesperadamente o no funciona, el elemento de seguridad arriba mencionado podría haber sido activado para evitar el sobrecalentamiento.

1. Asegúrese que el cable eléctrico esté conectado a un tomacorriente eléctrico en funcionamiento.
2. Revise si las baterías en el mando a distancia son nuevas y están apropiadamente instalados.
3. Verifique la posición de su Termostato. El Calefactor puede haberse apagado por haber alcanzado la posición de temperatura deseada.
4. Si su Calefactor opera durante varios minutos y se apaga repetidamente, es posible que el mismo requiera limpieza. Ver la sección de Mantenimiento abajo.

ALMACENAMIENTO: Almacene el Calefactor con estas instrucciones en la caja original en un lugar fresco y seco.

DISPOSICIÓN: Los materiales de empaque de cartón corrugado son reciclables. Para desechar este producto de manera ecológicamente responsable, comuníquese con su proveedor de servicio de desechos local o visite www.1800recycling.com.

MANTENIMIENTO

⚠ ADVERTENCIA

Para reducir el riesgo de choque eléctrico e incendio por favor obedezca las siguientes instrucciones. Limpiar el Calefactor regularmente ayudará a mantener su eficiencia.



- Siempre desconecte el cable eléctrico antes de mover, reparar o limpiar.
- NUNCA coloque el Calefactor dentro de o cerca de agua. NO SUMERJA EL CALEFACTOR EN AGUA
- Limpie el Calefactor solamente con una aspiradora equipada con un accesorio de cepillo; la aspiradora quitará el polvo y los desperdicios del interior del Calefactor.



- aspire las parrillas de entrada cada dos semanas; esto ayudará a mantener el rendimiento óptimo del calefactor.
- Use un cepillo de dientes u otro cepillo de cerdas suaves para aflojar suavemente cualquier polvo que no haya sido retirado por la aspiradora
- NUNCA intente desarmar el Calefactor.
- Limpie el cuerpo del Calefactor únicamente con un trapo suave.
- NUNCA use ALCOHOL o SOLVENTES tales como gasolina, bencina, disolvente de pinturas u otros limpiadores duros.

GARANTÍA LIMITADA DE LASKO PRODUCTS, LLC (VÁLIDO EN EE.UU., SUS TERRITORIOS, Y CANADÁ ÚNICAMENTE)

QUÉ CUBRE ESTA GARANTÍA: Este producto está garantizado contra defectos de mano de obra y/o materiales.

CUÁNTO DURA ESTA GARANTÍA: Esta garantía se extiende únicamente al comprador original del producto y dura tres (3) años a partir de la fecha original de compra o hasta que el comprador original del producto venda o transfiera el producto, cualesquiera de ambas que ocurriera en primer lugar.

QUÉ HARÁ LASKO: Lasko, a opción propia, reparará o reemplazará cualquier parte o partes que demuestren ser defectuosas o reemplazará el producto completo por el mismo modelo u otro comparable. Para todas las reclamaciones de garantía, se debe devolver el producto a Lasko Products, LLC a cargo del cliente con la prueba de compra dentro del período de garantía. Comuníquese con el departamento de atención al cliente de Lasko para obtener una Autorización de Devolución ("RA", por sus siglas en inglés). NO devuelva los productos sin una RA o no se procesará la reclamación de la garantía.

QUÉ NO CUBRE ESTA GARANTÍA: Esta garantía no tiene validez si el producto fue dañado o falló debido a un accidente, manipulación u operación inadecuadas, daño en el envío, abuso, mal uso, reparaciones no autorizadas hechas o el intento de hacerlas, o el uso del producto para servicio comercial o no residencial. Esta garantía no cubre los costos de envío para la devolución de productos a Lasko para su reparación o reemplazo. Lasko abonará los cargos de envío de devolución a Lasko con posterioridad a las reparaciones o el reemplazo bajo garantía.

CUALESQUIERA Y TODAS LAS GARANTÍAS, EXPLÍCITAS O IMPLÍCITAS (INCLUYENDO, SIN LIMITACIÓN, CUALESQUIERA GARANTÍA IMPLÍCITA DE COMERCIABILIDAD), DURAN TRES AÑOS A PARTIR DE LA FECHA ORIGINAL DE COMPRA O HASTA QUE EL COMPRADOR ORIGINAL DEL PRODUCTO VENDA O TRANSFIERA EL PRODUCTO, CUALESQUIERA DE AMBAS QUE OCURRIERA EN PRIMER LUGAR Y EN NINGÚN CASO LA RESPONSABILIDAD DE LASKO BAJO CUALQUIER GARANTÍA EXPLÍCITA O IMPLÍCITA INCLUIRÁ (I) DAÑOS INCIDENTALES O POR CONSECUENCIA POR CUALQUIER CAUSA QUE FUERE, O (II) REEMPLAZO O REPARACIÓN DE CUALESQUIERA FUSIBLES HOGAREÑOS, CORTA-CIRCUITOS O TOMACORRIENTES. INDEPENDIEMENTE DE CUALQUIER DECLARACIÓN CONTRARIA, EN NINGÚN CASO LA RESPONSABILIDAD DE LASKO BAJO CUALQUIER GARANTÍA EXPLÍCITA O IMPLÍCITA PODRÁ EXCEDER EL PRECIO DE COMPRA DEL PRODUCTO Y DICHA RESPONSABILIDAD TERMINARÁ AL VENCIMIENTO DEL PERÍODO DE GARANTÍA.

Algunos estados y provincias no permiten limitaciones sobre la duración de una garantía implícita, o sobre la exclusión o limitación de los daños incidentales o por consecuencia, por lo tanto dichas exclusiones o limitaciones podrían no aplicarse en su caso. Esta garantía le otorga a usted derechos legales específicos. Usted también podría tener otros derechos que varían de estado en estado y de provincia en provincia.

Se requiere prueba de compra antes que se acepte un reclamo bajo garantía.

SERVICIO AL CLIENTE:

E-mail: producthelp@lasko.com Sitio web: www.lasko.com

Nuestro equipo de atención al cliente está disponible para brindarle ayuda con el producto y responder preguntas de mantenimiento y repuestos. Chatea con nosotros en www.lasko.com de lunes a viernes de 8am a 9pm EST (Válida solo en EE. UU. Y Canadá). Tenga el número de modelo a mano, así como el tipo y estilo de dispositivo. Encontrará esta información en la parte inferior del producto.

Departamento de Atención al Cliente,

820 Lincoln Ave., West Chester, PA 19380
(No envíe productos a esta dirección).

CONTROL REMOTO

Todas las funciones realizadas con el Control Remoto operan del mismo modo que los controles manuales, excepto que usted no puede cambiar de °F a °C con el control remoto.

1. El control requiere 2 baterías AAA de 1.5 Vcc (no incluidas).
2. No mezcle baterías viejas y nuevas. No mezcle baterías alcalinas, estándar (carbono-cinc) o recargables (níquel-cadmio).
3. NO ARROJE LAS BATERÍAS AL FUEGO. LAS BATERÍAS PUEDEN EXPLOTAR O SUFRIR PÉRDIDAS.
4. Siempre compre el tamaño y grado correctos de pilas más adecuados para el uso previsto.
5. Reemplace todas las pilas de un conjunto al mismo tiempo.
6. Limpie los contactos de las pilas y también los del dispositivo antes de la instalación de las mismas.
7. Asegúrese de que las pilas estén instaladas correctamente con respecto a la polaridad (+ y -).
8. Retire las pilas del equipo que no se va a utilizar durante un período prolongado.
9. Retire las pilas usadas con prontitud.