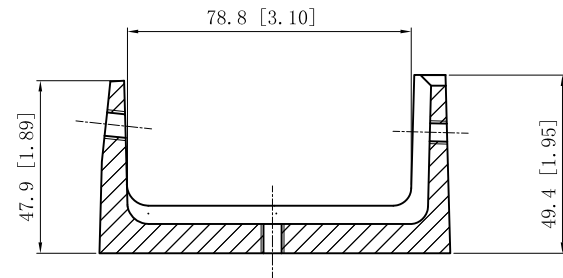
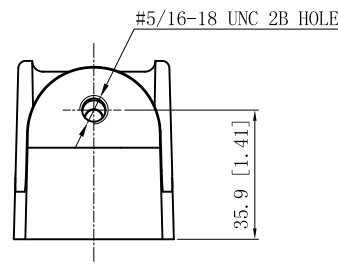
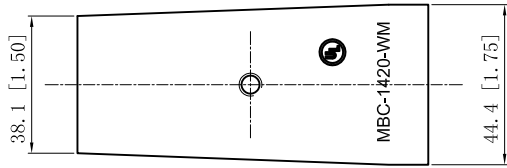
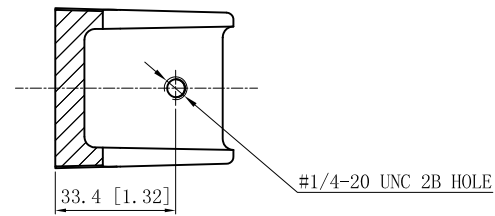
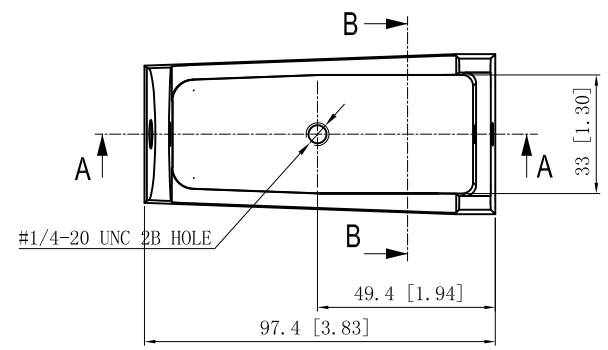
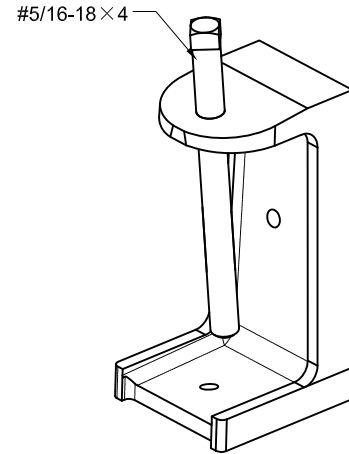


SIDES	BOTTOM
1 PCS 5/16-18×4 Screws Installed	
Material:Steel-Malleable Casting Galvanized	



CUTAWAY VIEW A-A



CUTAWAY VIEW B-B

This data sheet is for reference only .GARVIN INDUSTRIES reserves the right to make changes to the design without prior notice.

DESCRIPTION
TRADE REFERENCE TERMS

STANDARD PACKING
50 PCS

GARVIN INDUSTRIES	
TITLE MALLEABLE IRON BEAM CLAMPS	
SIZE A4	DWG NO. MBC-1420WM
DATA SHEET	
	REV D