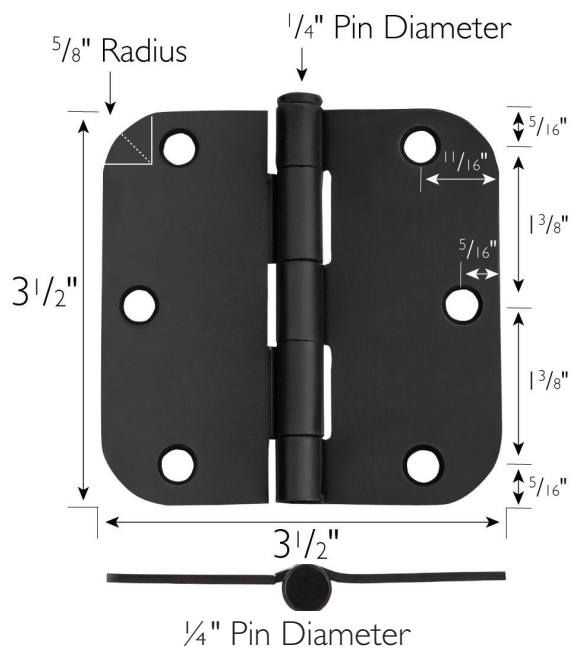
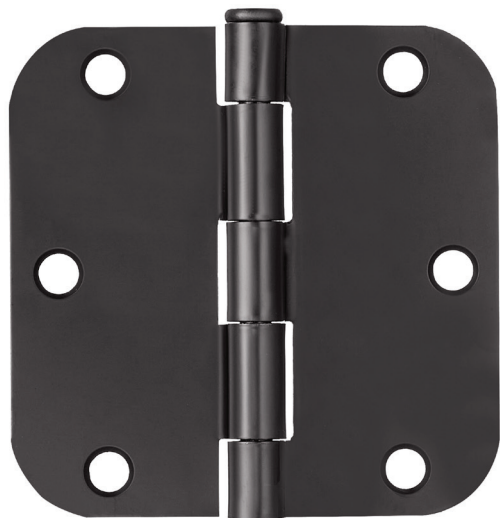


6-Hole 3.5" x 3.5", 5/8" Radius Door Hinge 9-Pack  
Matte Black



**SPECIFICATIONS**

|                                |                            |
|--------------------------------|----------------------------|
| MATERIAL CONSTRUCTION:         | Steel                      |
| MOUNTING HARDWARE INCLUDED:    | #9 x 3/4" (6 screws)       |
| TOOLS NEEDED FOR INSTALLATION: | Screwdriver                |
| ASSEMBLED DIMENSIONS:          | 3.5" H x 3.5" L x 0.125" D |
| ASSEMBLED WEIGHT:              | 2.5 lbs                    |
| CORNER RADIUS:                 | 5/8"                       |
| HINGE TYPE:                    | Butt Hinge                 |

WARRANTY: 1-Year limited warranty

LEGAL FOR SALE IN CALIFORNIA: Yes



|             |  |
|-------------|--|
| TYPE:       |  |
| JOB:        |  |
| ORDER CODE: |  |
| APPROVALS:  |  |