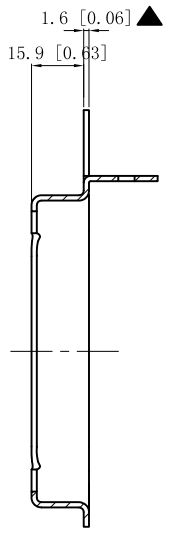
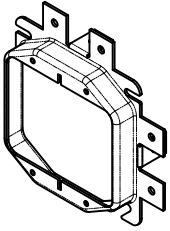
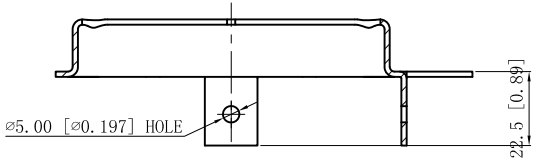
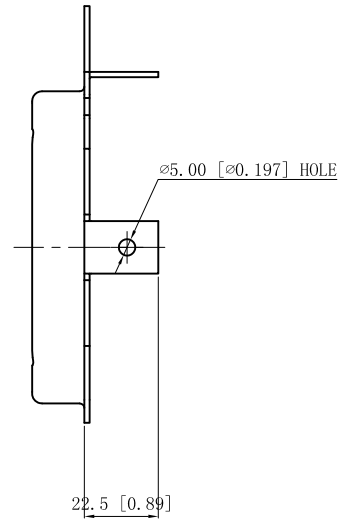
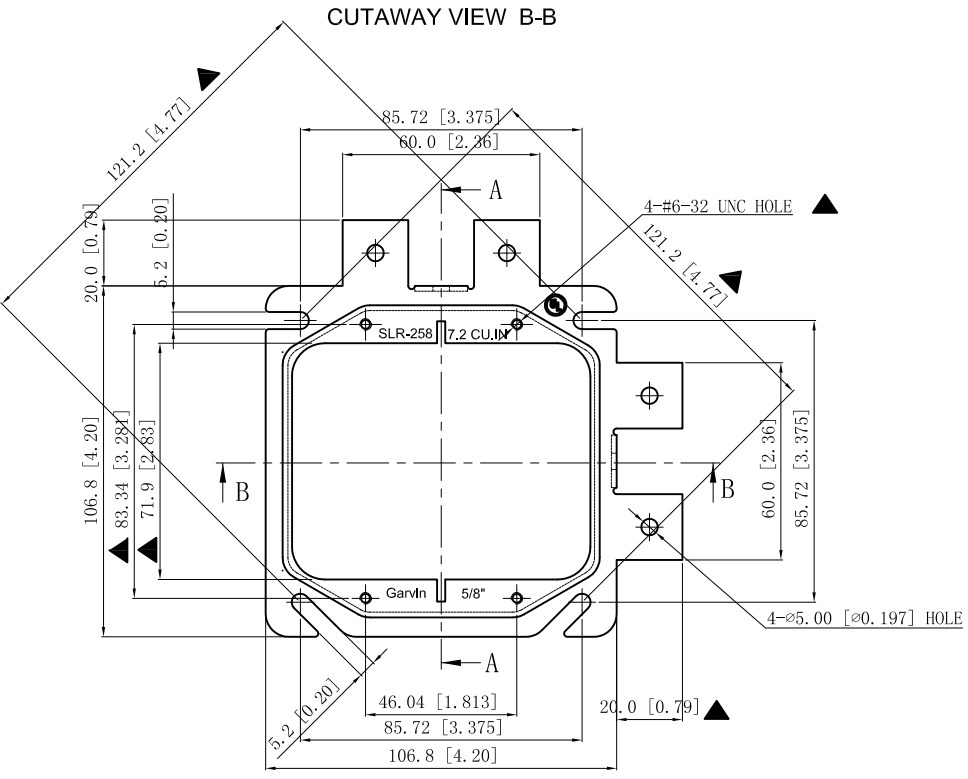


SIDES	BOTTOM
Material: Steel-0.0625"-(G60 or C.R.S) Galvanized	



CUTAWAY VIEW A-A



DESCRIPTION
TRADE REFERENCE TERMS

This data sheet is for reference only .GARVIN INDUSTRIES reserves the right to make changes to the design without prior notice.

STANDARD PACKING	GARVIN INDUSTRIES		
	4" SQUARE" SELF-LEVELING" DEVICE RINGS		
25 PCS	TITLE	SLR-258	
	SIZE	DWG NO.	REV
	A4		
DATA SHEET			