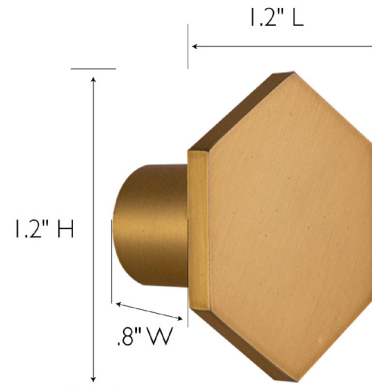
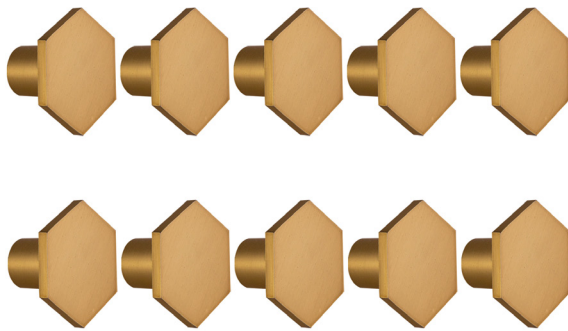


Solid Hexagon Cabinet Knob, 10 Pack
Satin Gold



SPECIFICATIONS

MATERIAL CONSTRUCTION:	Zinc
MOUNTING HARDWARE INCLUDED:	Yes
TOOLS NEEDED FOR INSTALLATION:	Screwdriver
ASSEMBLED DIMENSIONS:	1.2" H x 1.2" L x .8" W
ASSEMBLED WEIGHT:	1.24 lbs.
PROJECTION:	1.2"
KNOB DIAMETER:	1.2"
MOUNTING HARDWARE SIZE:	1" and 1.75"

WARRANTY:	1-Year limited warranty
LEGAL FOR SALE IN CALIFORNIA:	Yes



TYPE:
JOB:
ORDER CODE:
APPROVALS: