



**XOGOK36V2**  
XO PRO-GRADE LUXURY DESIGNER ISLANDS

PUT SOME AWESOME IN YOUR BACKYARD



WELCOME TO YOUR PRIVATE ISLAND

- Durable Commercial Grade Fiber Cement Architectural Panel Finish
- White Carrera Style Quartz Surface
- Rugged Welded Steel Interior Frame
- Leveling Legs Installed

WORLD CLASS SERVICE | COMPREHENSIVE WARRANTIES  
OUR LASTING COMMITMENT TO YOU

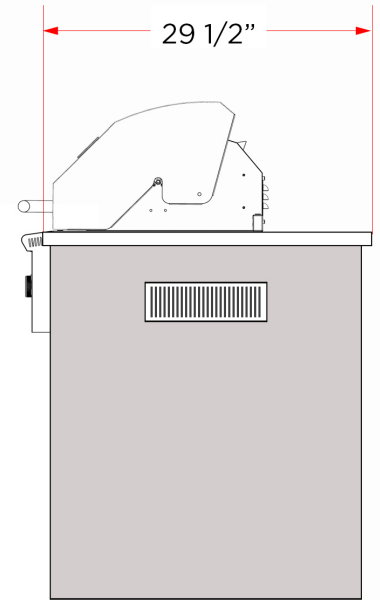
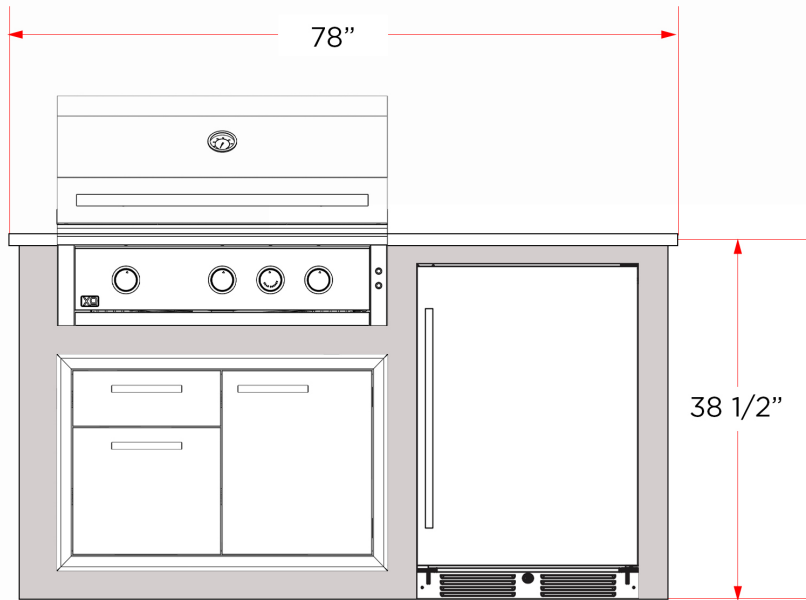
# XOGOK36V2

## PRO-GRADE DESIGNER ISLAND

Available in 3 colors: Black, White and Grey



(shown with appliances sold separately)



### DESIGNED FOR THESE APPLIANCES



#### XOGRILL36

- 66,000 BTUS of Power
- Flame Thrower Ignition
- VariTemp IR Burner
- Blue LED Control Lighting
- Halogen Interior Illumination



#### XOG36COMBO

- 304 Stainless Steel
- Soft Close Doors



#### XOU24ORS

- Shelves Extend While Loaded
- Holds up to 145 (12oz) Cans
- Adjustable Shelves
- Tri-Color LED Interior Lighting

### SPECIFICATIONS

**DIMENSIONS** 78"W x 29 1/2"D x 38 1/2"H

**WEIGHT** Approx 400lbs without appliances

#### ELECTRICAL

Installation requires an outdoor 120v GFI electrical outlet adjacent to product

#### OPTIONAL ACCESSORIES

Heavy Duty Castors

**XOGOKCASTORS**

#### FACTORY ASSEMBLED - APPLIANCE READY

36" Pro-Luxury Grill Head

**XOGRILL36**

36" Combo Drawers/Door

**XOG36COMBO**

24" Outdoor Refrigerator

**XOU24ORS**

ISLAND ARRIVES PRE-ASSEMBLED WITH CUTOUTS AS SHOWN READY FOR APPLIANCE INSTALLATION. ISLAND COMES WITH LEVELING LEGS.

PENETRATIONS MUST BE MADE FOR ELECTRICAL AND GAS ON SITE. APPLIANCE INSTALL REQUIRES CUTTING ACCESS FOR UTILITIES (GAS, ELECTRIC, ETC) IN THE ISLAND.