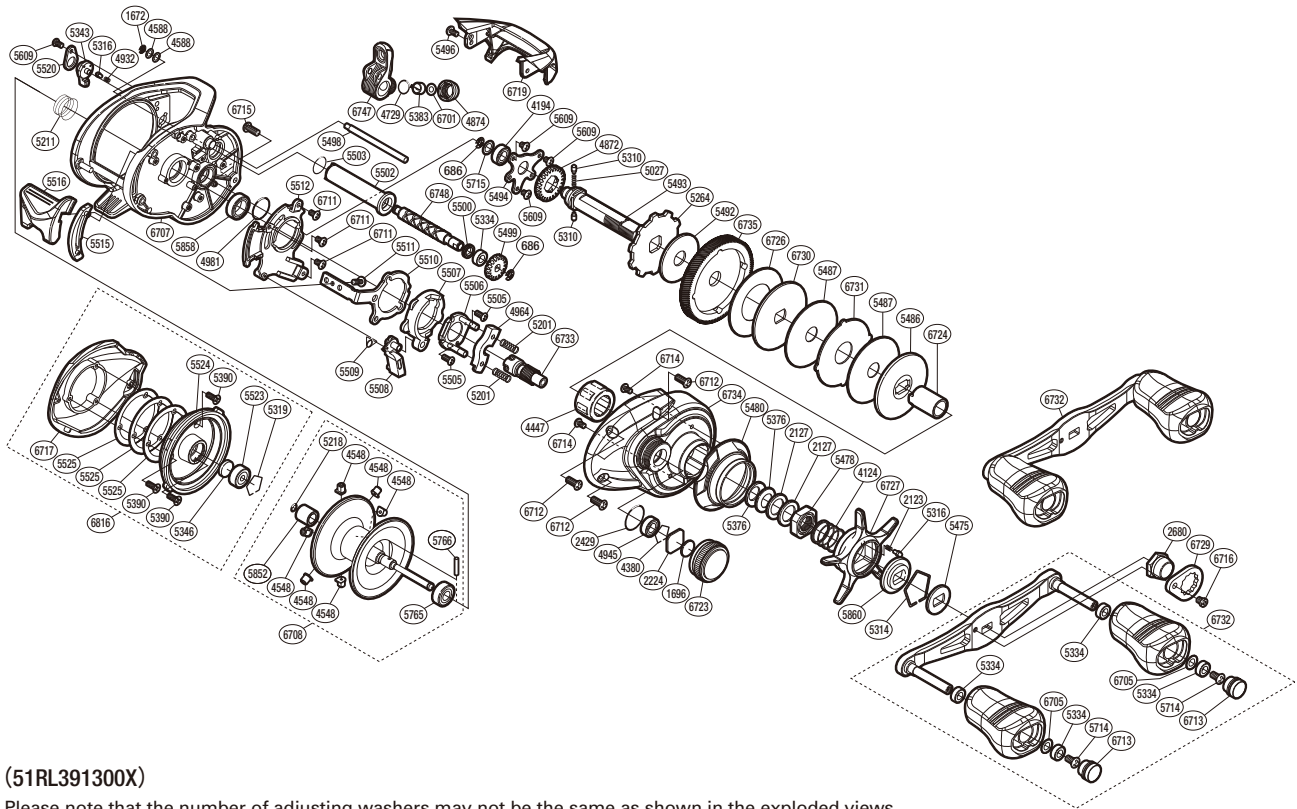


SHIMANO

CURADO S A-RB

CU300K



(51RL391300X)

Please note that the number of adjusting washers may not be the same as shown in the exploded views. (Adjustment will vary with each individual product.)

Part No.	Description	Part No.	Description	Part No.	Description
BNT0686	E Lock	BNT5383	Line Guide Pawl	BNT5766	Spool Clutch Pin
BNT1672	E Lock	BNT5390	Screw	BNT5852	Spool Shaft Bushing
BNT1696	Cast Control Spacer (B)	BNT5475	Drive Shaft Shield	BNT5858	Ball Bearing
BNT2123	Click Spring	BNT5478	Star Drag Nut	BNT5860	Star Drag Click Plate
BNT2127	Star Drag Spacer	BNT5480	Clutch Button Attachment	BNT6701	Spacer
BNT2224	Spool Tension Spacer (A)	BNT5486	Key Washer	BNT6705	Washer
BNT2429	O Ring	BNT5487	Drag Washer	BNT6707	Frame
BNT2680	Handle Nut	BNT5492	Drag Washer	BNT6708	Spool Assembly
BNT4124	Star Drag Spring	BNT5493	Drive Shaft	BNT6711	Screw
BNT4194	Ball Bearing	BNT5494	Drive Shaft Retainer	BNT6712	Screw
BNT4380	Retainer	BNT5496	Screw	BNT6713	Handle Knob Seal
BNT4447	Roller Clutch Bearing	BNT5498	Stabilizer Bar	BNT6714	Screw
BNT4548	Brake Collar	BNT5499	Idle Gear	BNT6715	Screw
BNT4588	Washer	BNT5500	Worm Shaft Seal	BNT6716	Screw
BNT4729	O Ring	BNT5502	Level Wind Guard	BNT6717	Left Side Plate
BNT4872	Idle Gear	BNT5503	O Ring	BNT6719	Level Wind Protector
BNT4874	Pawl Cap	BNT5505	Screw	BNT6723	Cast Control Cap
BNT4932	Click Spring	BNT5506	Clutch Cam Retainer	BNT6724	Roller Clutch Inner Tube
BNT4945	Ball Bearing	BNT5507	Clutch Cam	BNT6726	Drag Washer
BNT4964	Yoke	BNT5508	Clutch Pawl	BNT6727	Star Drag
BNT4981	O Ring	BNT5509	Clutch Pawl Spring	BNT6729	Handle Nut Plate
BNT5027	Idle Gear Spring	BNT5510	Clutch Plate	BNT6730	Key Washer
BNT5201	Yoke Spring	BNT5511	Screw	BNT6731	Eared Washer
BNT5211	Bearing Pressure Spring	BNT5512	Clutch Guard	BNT6732	Handle Assembly
BNT5218	O Ring	BNT5515	Clutch Bar Guide	BNT6733	Pinion Gear
BNT5264	Anti-reverse Ratchet	BNT5516	Clutch Button	BNT6734	Right Side Plate
BNT5310	Idle Gear Pin	BNT5520	Cam Lever Retainer	BNT6735	Drive Gear
BNT5314	Click Plate Retainer	BNT5523	Ball Bearing	BNT6747	Line Guide
BNT5316	Click Pin	BNT5524	Dial Case Assembly	BNT6748	Worm Shaft
BNT5319	Bearing Retainer	BNT5525	Washer	BNT6816	Left Side Plate Assembly
BNT5334	Bushing	BNT5609	Screw		
BNT5343	Side Plate Cam Lever	BNT5714	Screw		
BNT5346	Spacer B	BNT5715	Drive Shaft Washer		
BNT5376	Drag Spring Washer	BNT5765	Ball Bearing	BNT4692	B-100 Oil (Accessory)