

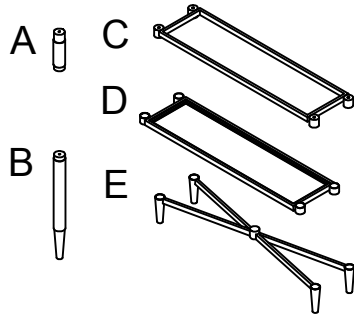
# MARILYN DINING SERVER ASSEMBLY INSTRUCTIONS



## PARTS PACKING CONFIGURATION

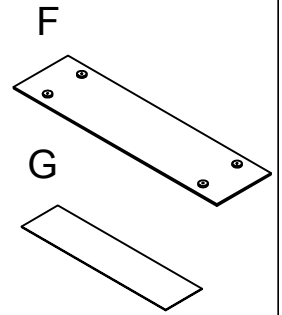
### BOX #1

- A. SMALL ACRYLIC LEG 4 PCS
- B. LARGE ACRYLIC LEG 4 PCS
- C. TOP FRAME 1 PC
- D. SHELF FRAME 1 PC
- E. BOTTOM FRAME 1 PC



### BOX #2

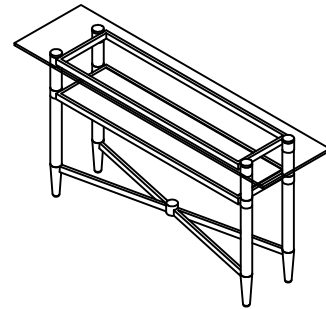
- F. TOP 1 PC
- G. SHELF 1 PC



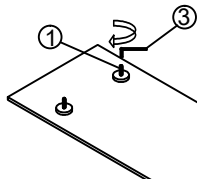
### HARDWARE ENCLOSED IN BOX #1

No	Description	Photo	Quantity
1	ALLEN BOLT (8x40mm)		8 PCS
2	LEG LEVELER		4 PCS
3	ALLEN KEY (M4)		1 PC

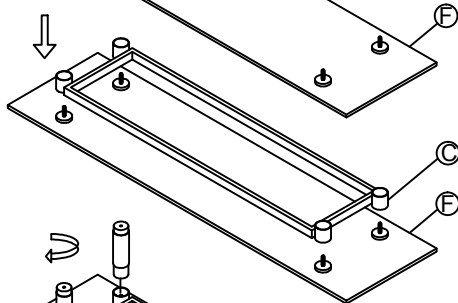
MARILYN DINING SERVER  
FULLY ASSEMBLED



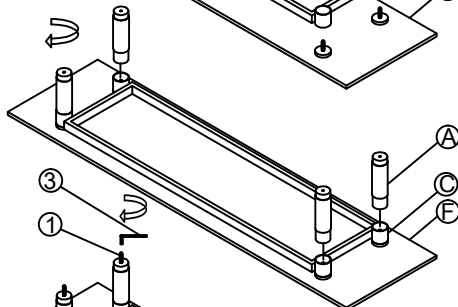
#### STEP 1:



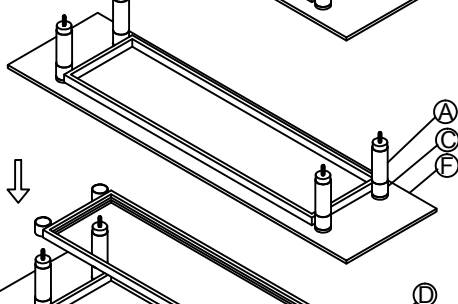
#### STEP 2:



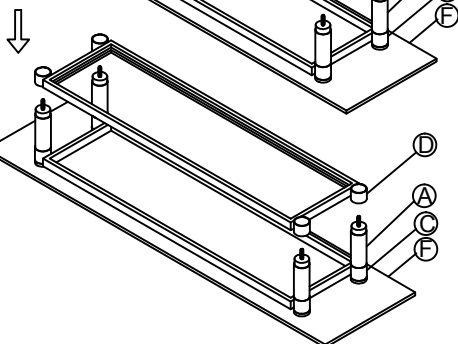
#### STEP 3:



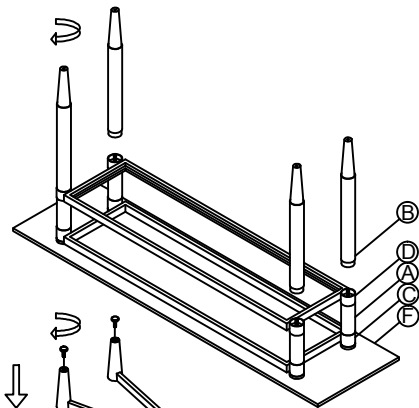
#### STEP 4:



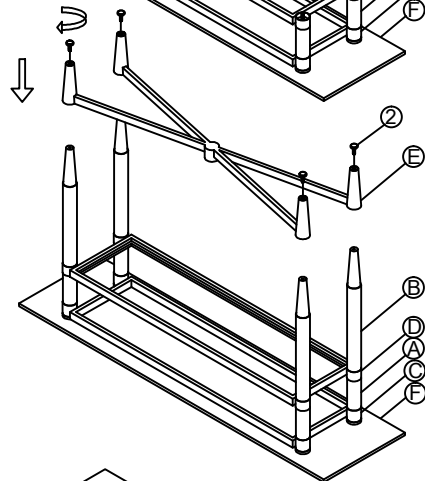
#### STEP 5:



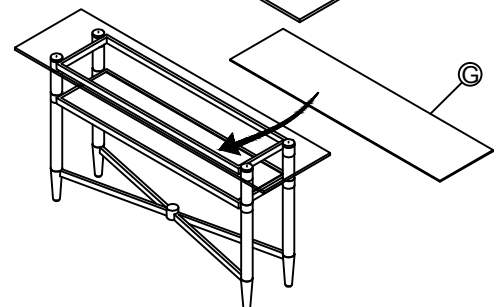
#### STEP 6:



#### STEP 7:



#### STEP 8:



NOTE:  
IF THE TABLE IS NOT LEVEL ON YOUR FLOOR,  
PLEASE ADJUST LEVELERS ON UNDERSIDE OF THE LEGS(B)