



BOSS

REBEL®

OFF ROAD SOUND SYSTEMS

USER MANUAL

QUICK START GUIDE

ATV85B



BLUETOOTH® ENABLED
ALL-TERRAIN SOUND SYSTEM



FEATURING 8" MARINE GRADE SPEAKERS
AND 1" SOFT DOME TWEETERS
with BUILT-IN HIGH POWERED INTERNAL AMPLIFIER

USER MANUAL

ATV85B

BLUETOOTH® ENABLED | ALL-TERRAIN SOUND SYSTEM



BOSS Audio Systems
3451 Lunar Court • Oxnard, CA 93030

www.bosssaudio.com | 805-751-4853
Tech Support: www.bosssaudio.com/technical-support



iPad / iPhone are trademarks of Apple Inc., registered in the U.S. and other countries.
Android is a trademark of Google Inc., registered in the U.S. and other countries.
BOSS Audio Systems is not affiliated with Apple Inc. or Google Inc.

All rights reserved. No part of this publication may be reproduced, distributed, or transmitted in any form or by any means, including photocopying, recording, or other electronic or mechanical methods, without the prior written permission of AVA Enterprises Inc.

Copyright © 2015 AVA Enterprises Inc.

0515 VER:1.0 EN



PRINTED IN CHINA

1

Thank you for purchasing this
BOSS
AUDIO SYSTEMS
ATV85B All Terrain Sound System
Please read through these instructions carefully so you will know how to operate your model properly.

After you have finished reading the instructions, keep this document in a safe place for future reference.

THIS PACKAGE CONTAINS

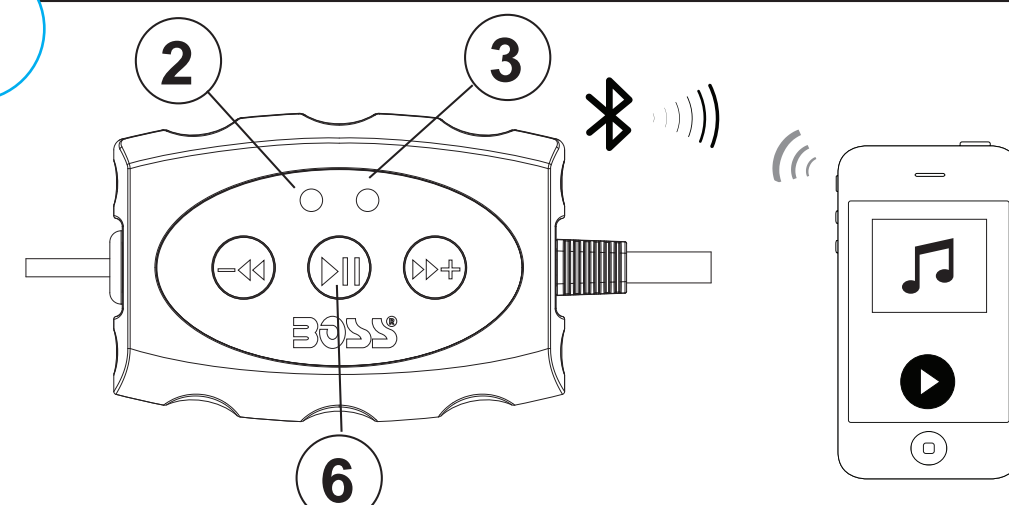
- 1- ATV85B All Terrain Speaker System
- 1- Bluetooth Multi-Function Controller
- 1- Handlebar Mounting Kit
- 1- Quick Connect Power Extension Adaptor
- 2- Nylon Mounting Straps and Nylon Zip Ties
- 1- User Manual Quick Start Guide / Poster
- 1- Warranty Card

INFORMATION TO THE USER

Bluetooth
The Bluetooth® word mark and logos are registered trademarks owned by Bluetooth SIG, Inc. and any use of such marks is under license. Other trademarks and trade names are those of their respective owners.

5

BLUETOOTH OPERATION



PAIRING & DISCOVERING A NEW BLUETOOTH CONNECTION

- 1) Power on the **ATV85B** by pressing and holding down the **Play/Pause** multifunction button for 3 seconds, the **2** blue and **3** red LEDs will start to alternately flash, signalling that the **ATV85B** is now ready for Bluetooth pairing.

NOTE: You have 2 minutes before you must restart this procedure over again.

- 2) Now that the **ATV85B** is in pairing mode:

ANDROID users:

- a. Go into the **Settings Menu** of your device
- b. Enter the **Bluetooth Menu**
- c. **TURN ON Bluetooth** and press **SCAN**
- d. "**ATV85B**" will now be displayed under **AVAILABLE DEVICES**
- e. If prompted, enter passcode: "**0000**"

IOS users:

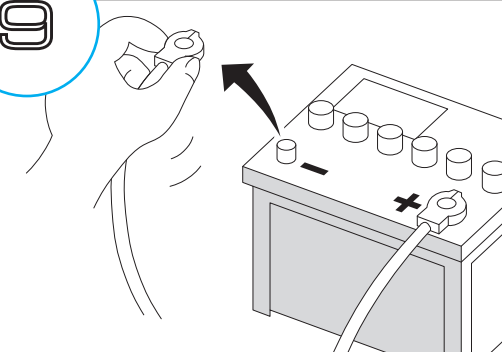
- a. Go into the **Settings Menu** of your **IOS** device
- b. Enter the **Bluetooth Menu**
- c. **TURN ON Bluetooth**
- d. "**ATV85B**" will now be displayed
- e. If prompted, enter passcode: "**0000**"

- 3) If the **ATV85B** is not seen, repeat the above steps to refresh the "**Device List**"

- 4) When the connection is successful, you are now ready to stream music from your favorite media player to the **ATV85B**

9

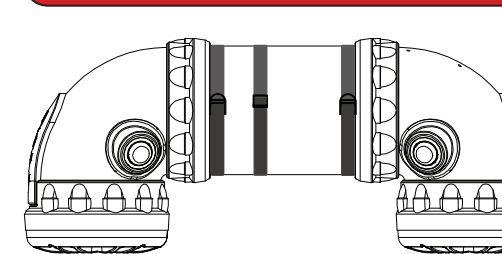
BEFORE INSTALLING THIS PRODUCT



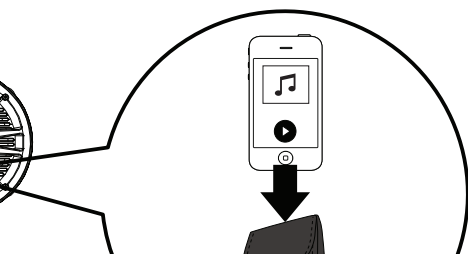
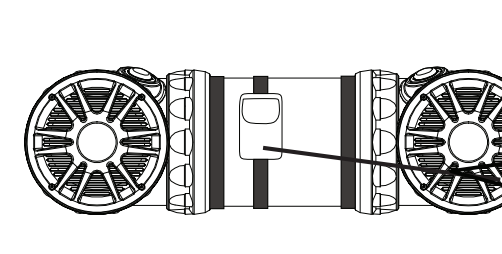
To avoid potential shorts in the electrical system, be sure to disconnect the (-) battery cable before installation. Use this unit with a 12-Volt battery and negative grounding only. Failure to do so may result in a fire or malfunction.

When replacing the fuse, be sure to only use a fuse of the rating specified on this product. To avoid short-circuiting, cover any disconnected leads with insulating tape. It is especially important to insulate any unused wires, which if left uncovered may cause a short circuit. When connecting other devices to this product, refer to the manual for the product to be connected. The black cable is ground, make sure to connect the ground wire first. Ensure that the ground wire is properly connected to metal parts of the vehicles body frame or direct to the battery if your vehicle does not have a grounded chassis frame. The ground wire of this units power amp and a second powered system must be connected to the frame separately with different screws. If the screw for the ground wire loosens or falls out, it could result in fire or malfunction.

SPEAKER MOUNTING SUGGESTIONS



CAUTION!! Mounting straps should be double checked to be sure they are tight and secure before each use of the vehicle. The carry pouch is designed to keep your device safe from debris, make sure to close the pouch cover securely before using vehicle.



2

INFORMATION TO THE USER

FCC COMPLIANCE STATEMENT

This device complies with part 15 of the FCC Rules. Operation is subject to the following two conditions:

- (1) this device may not cause interference, and
- (2) this device must accept any interference, including interference that may cause undesired operation of this device.

This transmitter must not be co-located or operated in conjunction with any other antenna or transmitter. The Bluetooth antenna cannot be removed (or replaced) by user. This equipment complies with FCC/ IC radiation exposure limits set forth for an uncontrolled environment and meets the FCC radio frequency (RF) Exposure Guidelines and RSS-102 of the IC radio frequency (RF) Exposure rules. This equipment has very low levels of RF energy that it deemed to comply without maximum permissive exposure evaluation (MPE). But it is desirable that it should be installed and operated keeping the radiator at least 20 cm or more away from person's body (excluding extremities: hands, wrists, feet and ankles). Alteration or modifications carried out without appropriate authorization may invalidate the user's right to operate the equipment.

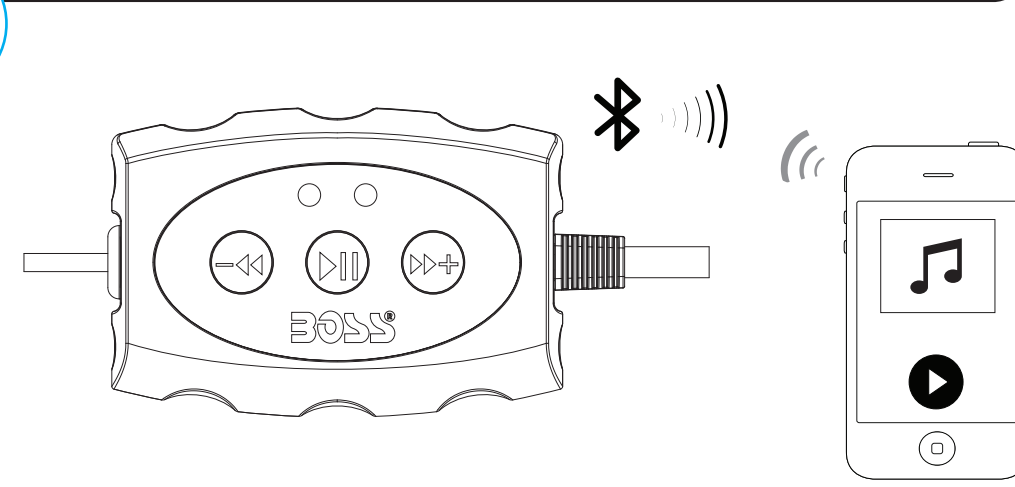
NOTE: This equipment has been tested and found to comply with the limits for a Class B digital device, pursuant to Part 15 of the FCC Rules. These limits are designed to provide reasonable protection against harmful interference in a residential installation. This equipment generates, uses and can radiate radio frequency energy and, if not installed and used in accordance with the instructions, may cause harmful interference to radio communications. However, there is no guarantee that interference will not occur in a particular installation. If this equipment does cause harmful interference to radio or television reception, which can be determined by turning the equipment off and on, the user is encouraged to try to correct the interference by one or more of the following measures:

- Relocate or reorient the receiving antenna.
- Increase the separation between the equipment and receiver.
- Connect the equipment into an outlet on a circuit different from that to which the receiver is connected.
- Consult the dealer or an experienced radio/TV technician for help.

CAUTION!!
ADJUSTMENT OR ALTERATIONS OF THIS DEVICE MAY RESULT IN HAZARDOUS RADIATION EXPOSURE.

6

BLUETOOTH / NFC OPERATION



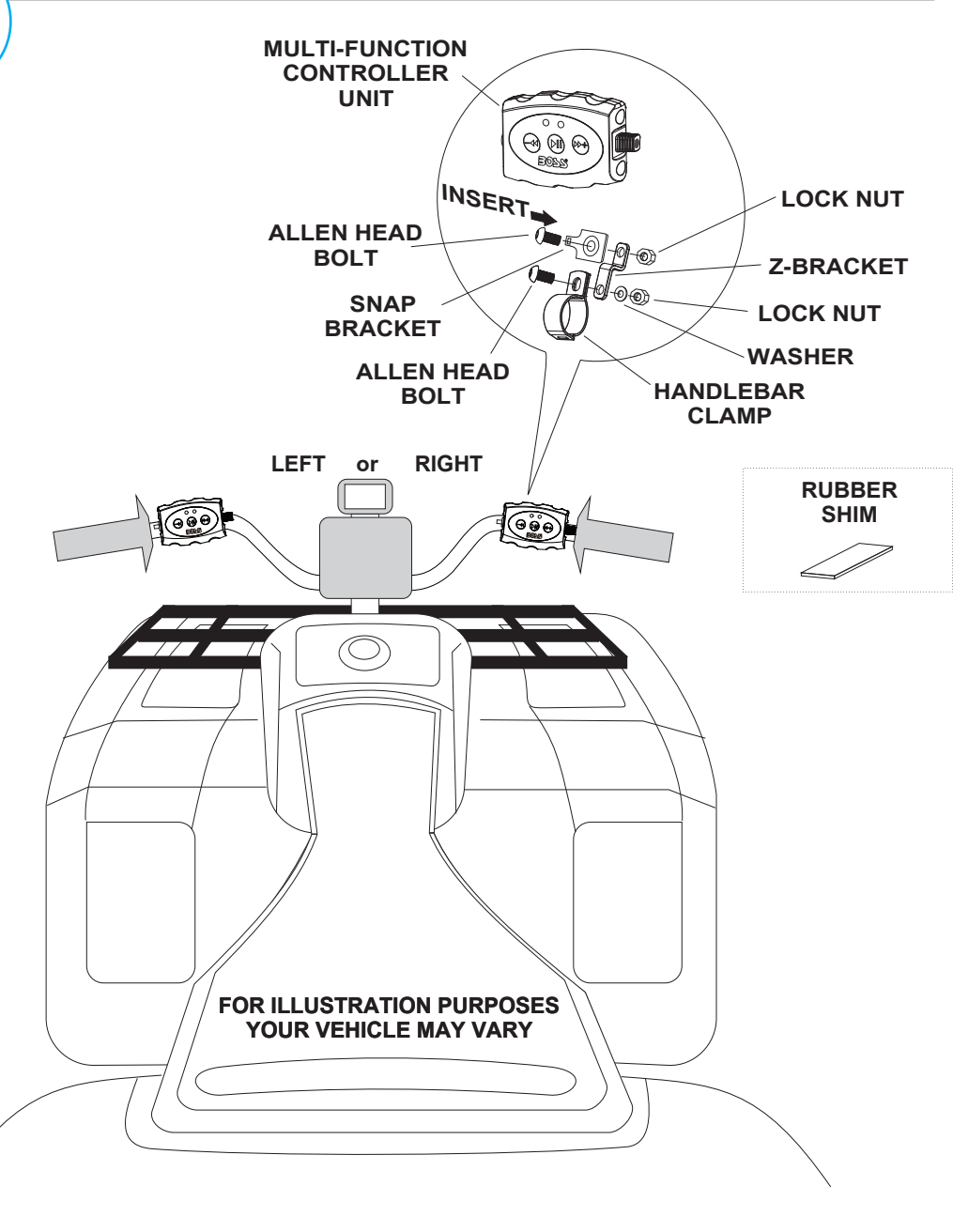
RECONNECTION

- 1) Power on the **ATV85B** and your last paired device Bluetooth.
- 2) The unit will now automatically reconnect
- 3) If your device was previously paired with the **ATV85B**, but it wasn't the last paired device:
 - a. Ensure no other devices are currently paired
 - b. Enter the **Bluetooth Menu** on your device being paired
 - c. "**ATV85B**" will display under **AVAILABLE DEVICES**
 - d. Choose the "**ATV85B**" to reconnect
- 4) If the device is out of range from the **ATV85B**, it will disconnect automatically:
 - a. To reconnect once device is back in range, press the **Play/Pause** button once
 - b. The **ATV85B** will now reconnect to the device

Tips: To avoid battery exhaustion, be sure to occasionally run the vehicles engine while using this product. Using this product without running the engine can drain the battery.

10

MULTI-FUNCTION CONTROLLER MOUNTING



TOOLS NEEDED:
• 12mm Socket, Wrench or Pliers
• 6mm Allen Wrench

3

BEFORE YOU START

IMPORTANT SAFETY PRECAUTIONS

- Do not operate mobile equipment while driving a motorized vehicle – safe driving and safety consideration of others should always be your highest priority.
- In the event you should notice smoke, strange noises or odor from this product, or any other abnormal signs, immediately turn off the power and consult your dealer or the nearest authorized **BOSS AUDIO** Service Center. Using this product in this condition may result in permanent damage to the system.
- Set your volume control at a low setting, then slowly increase the sound until you can hear it comfortably without distortion, or ear discomfort.
- **BE SURE TO OBSERVE THE FOLLOWING GUIDELINES:**
- Do not turn up the volume so high that you can't hear what's around you.
- Use caution or temporarily discontinue use in potentially hazardous situations.

INSTALLATION PRECAUTIONS

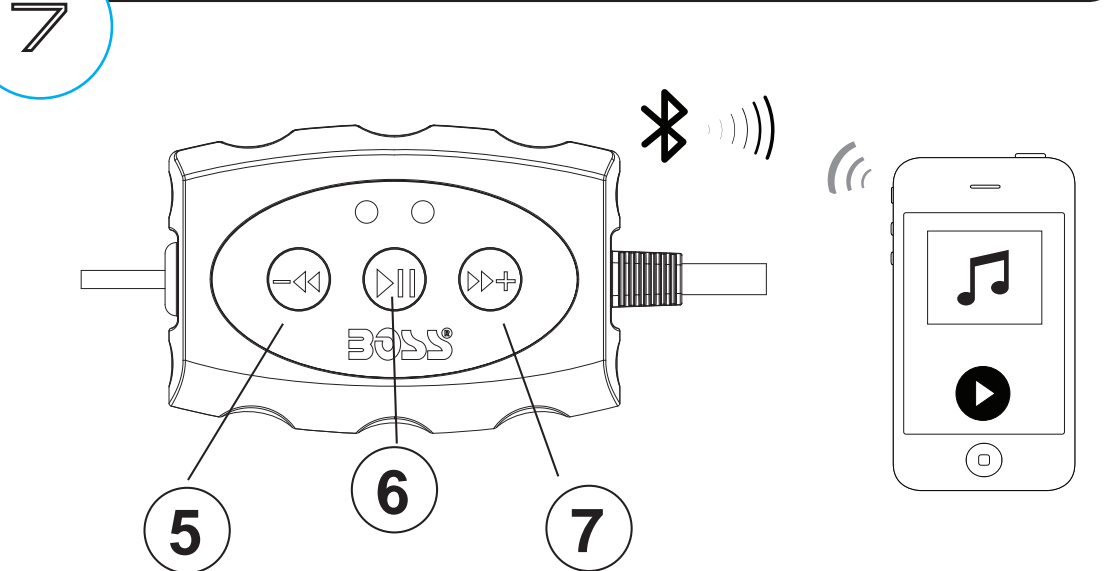
WARNING - Always consult a professional installer

- Do not attempt to install or service this product by yourself. Installation or servicing of this product by persons without professional training and experience in electronic equipment and motorized vehicle accessories may be dangerous and could expose you to the risk of electric shock, injury or other hazards
- Refer any repairs to a qualified **BOSS AUDIO SYSTEMS** Service Center
- The **ATV85B** can be powered from a vehicles cigarette lighter / auxiliary power port, or hard wired directly to the battery through an optional relay / accessory switch
- When wiring directly to the vehicles battery, be sure to disconnect the batteries negative terminal wire before starting any wiring procedures, it is suggested that an optional fuse and fuse holder (not included) with minimum rating of **20 Amps** be in line with the positive battery terminal
- The ground cable length should not exceed 18-inches (See wiring diagram)
- The **ATV85B** has a weather resistant design, it should not be submerged in or under water under any circumstances
- Use only the installation parts provided with the **ATV85B**

CAUTION!! Using other mounting methods may void this warranty

7

STREAMING MUSIC



MULTIFUNCTION CONTROLLER BLUETOOTH OPERATION

- 1) Press the **PLAY/PAUSE** once to start playing music or press the **PLAY** button from your device touch screen
- 2) To skip songs or advance, press the **NEXT TRACK** button
- 3) To select the previous song, press the **PREVIOUS TRACK** button

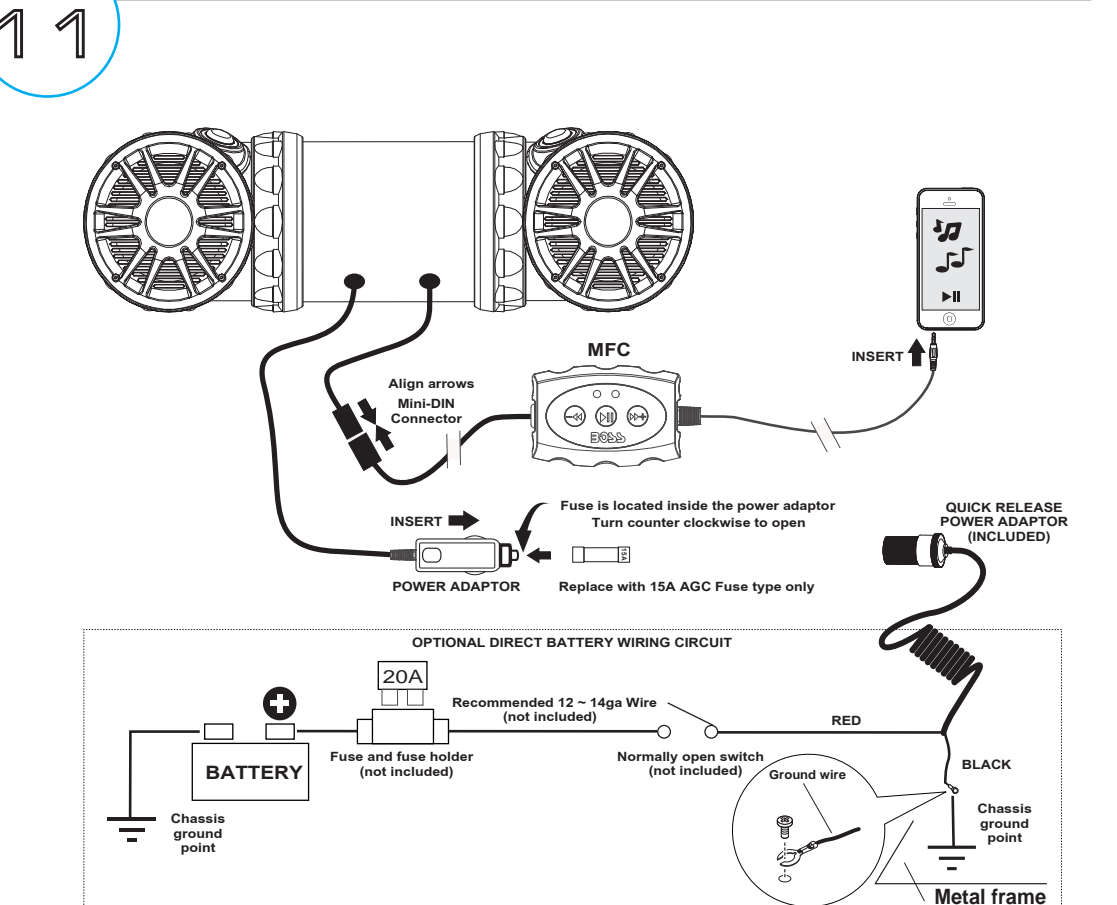
VOLUME CONTROL

- 4) To raise the volume **Press and Hold** the **VOL +** button 2 – 3 seconds
- 5) To lower the volume **Press and Hold** the **VOL -** button 2 – 3 seconds

Tips: Make sure your device Bluetooth volume is set at 75% level before stowing in to the carry pouch

11

WIRE DIAGRAM



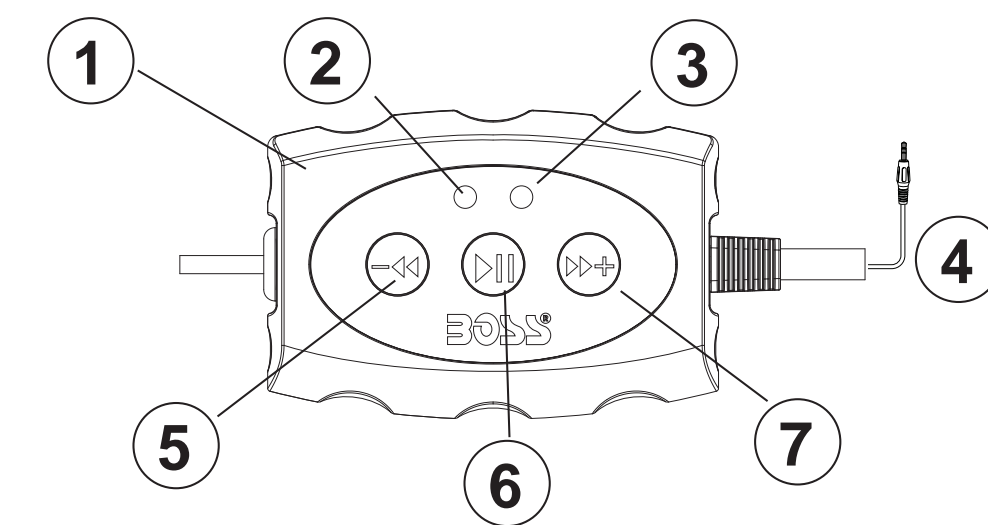
SPECIFICATIONS

- BLUETOOTH**
- Version: 3.0 w/ EDR
 - A2DP
 - Range: 33ft (10m)
- SPEAKERS**
- Dimensions: 8.6" / 219.8mm
 - Impedance: DVC 2Ω + 2Ω
 - Magnet: 20oz
 - Core Type: PP CARBON + RUBBER SURROUND
 - Tweeter Size: 1" PES SOFT DOME
- AMPLIFIER**
- Maximum Output Power: 700 Watts
 - Input Impedance: 10KΩ
 - Frequency Response: 45Hz-20KHz
- GENERAL**
- Operational Power: 12VDC (10-16V allowable)
 - MAX Current Draw: 13.7A
 - Replacement Fuse: 15A-AGC TYPE
 - Color: Black
 - Weight: 20.8lbs / 9.43kg
 - Dimensions on WxHxD: 80.3 x 22.9 x 33.4
 - Dimensions inches WxHxD: 31.61 x 9.00 x 13.15
- SPECIFICATIONS SUBJECT TO CHANGE WITHOUT NOTICE

4

GETTING STARTED

GETTING TO KNOW YOUR
ATV85B MULTIFUNCTION CONTROLLER (MFC)

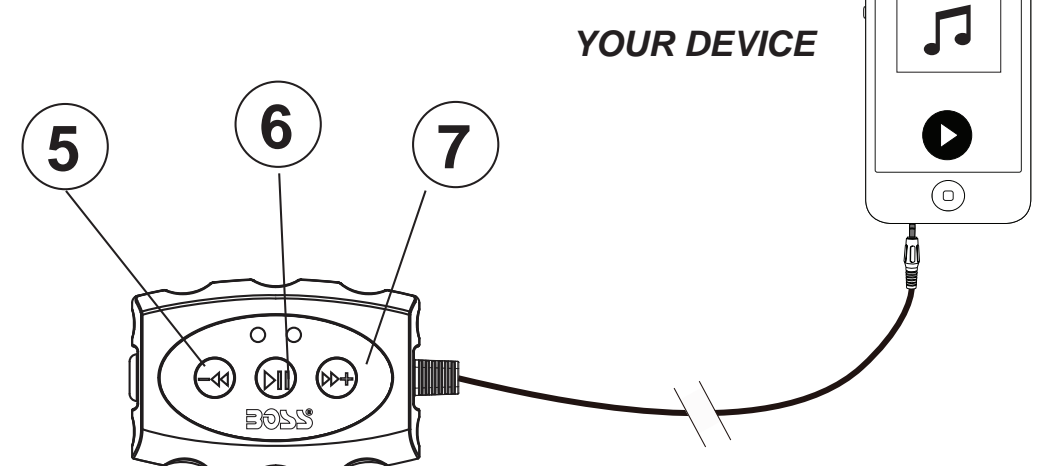


- 1 MFC - MULTIFUNCTION CONTROLLER
- 2 BLUETOOTH INDICATOR LED - BLUE COLOR
- 3 POWER INDICATOR LED - RED COLOR
- 4 3.5mm AUX-INPUT
- 5 PREVIOUS TRACK / Press and hold for VOL -
- 6 PLAY/PAUSE / Press and hold for POWER ON
- 7 NEXT TRACK / Press and hold for VOL +

8

AUX-INPUT

ATV85B can play audio from any device that has a 3.5mm headphone audio jack.



MULTIFUNCTION CONTROLLER AUX-IN OPERATION

- 1) Power on the **ATV85B** by pressing and holding down the **PLAY/PAUSE** multifunction button for 3 seconds
- 2) Disconnect any paired **Bluetooth** device by turning off **Bluetooth** in your devices **Settings Menu**
- 3) Connect the integrated 3.5mm **AUX-IN** cable located on right side of the MFC to your devices headphone jack
- 4) Route the wire back to **ATV85B**, strap and secure your device in the supplied soft carry pouch

VOLUME CONTROL

- 5) To raise the volume **Press and Hold** the **VOL +** button 2 – 3 seconds
- 6) To lower the volume **Press and Hold** the **VOL -** button 2 – 3 seconds

Tips: Make sure your device headphone volume is set at 75% level before stowing in to the carry pouch



Like us on Facebook!
BE THE FIRST TO SEE NEW PRODUCTS!



SHARE YOUR
BOSS AUDIO SYSTEM PHOTOS!

WATCH FOR CONTEST GIVEAWAYS AND
WIN PRIZES!