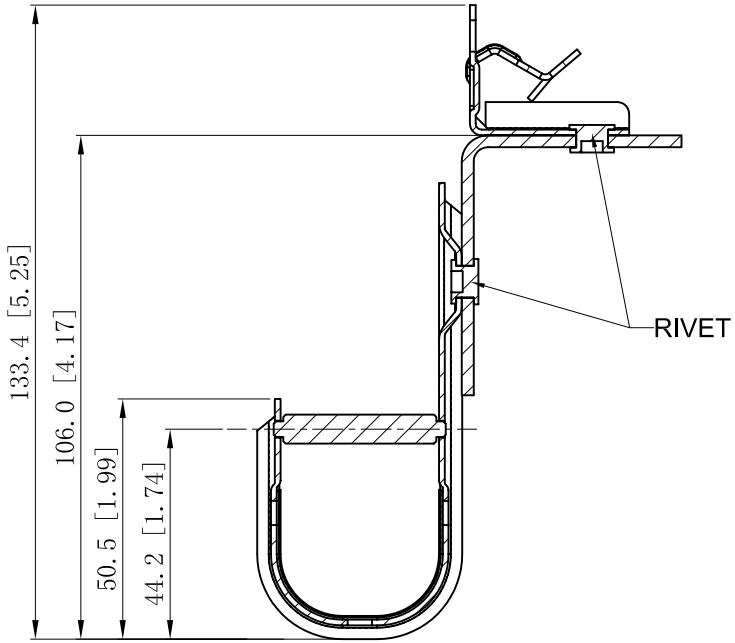
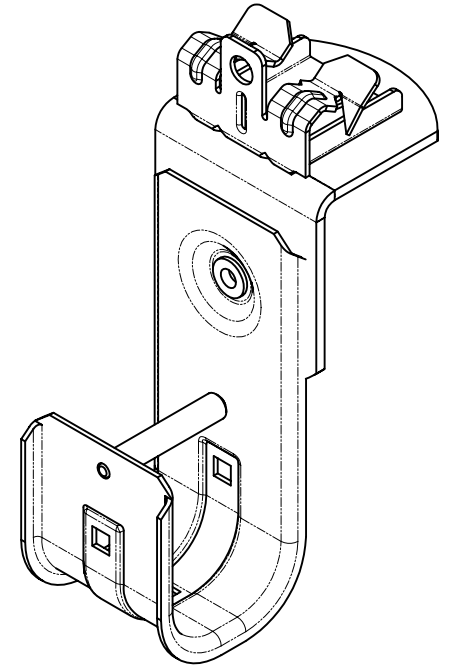
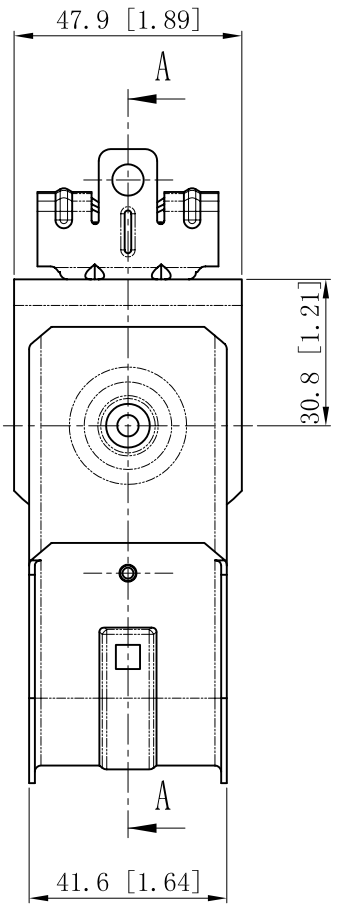


SIDES	BOTTOM
Material:Steel-0.047"-G60 Galvanized	



CUTAWAY VIEW A-A



DESCRIPTION
TRADE REFERENCE TERMS

This data sheet is for reference only .GARVIN INDUSTRIES reserves the right to make changes to the design without prior notice.

STANDARD PACKING	<h1 style="text-align: center;">GARVIN INDUSTRIES</h1>		
50 PCS			
TITLE	J-HOOKS		
SIZE	DWG NO.	REV	
A4	JHK-21-H0		
DATA SHEET			