

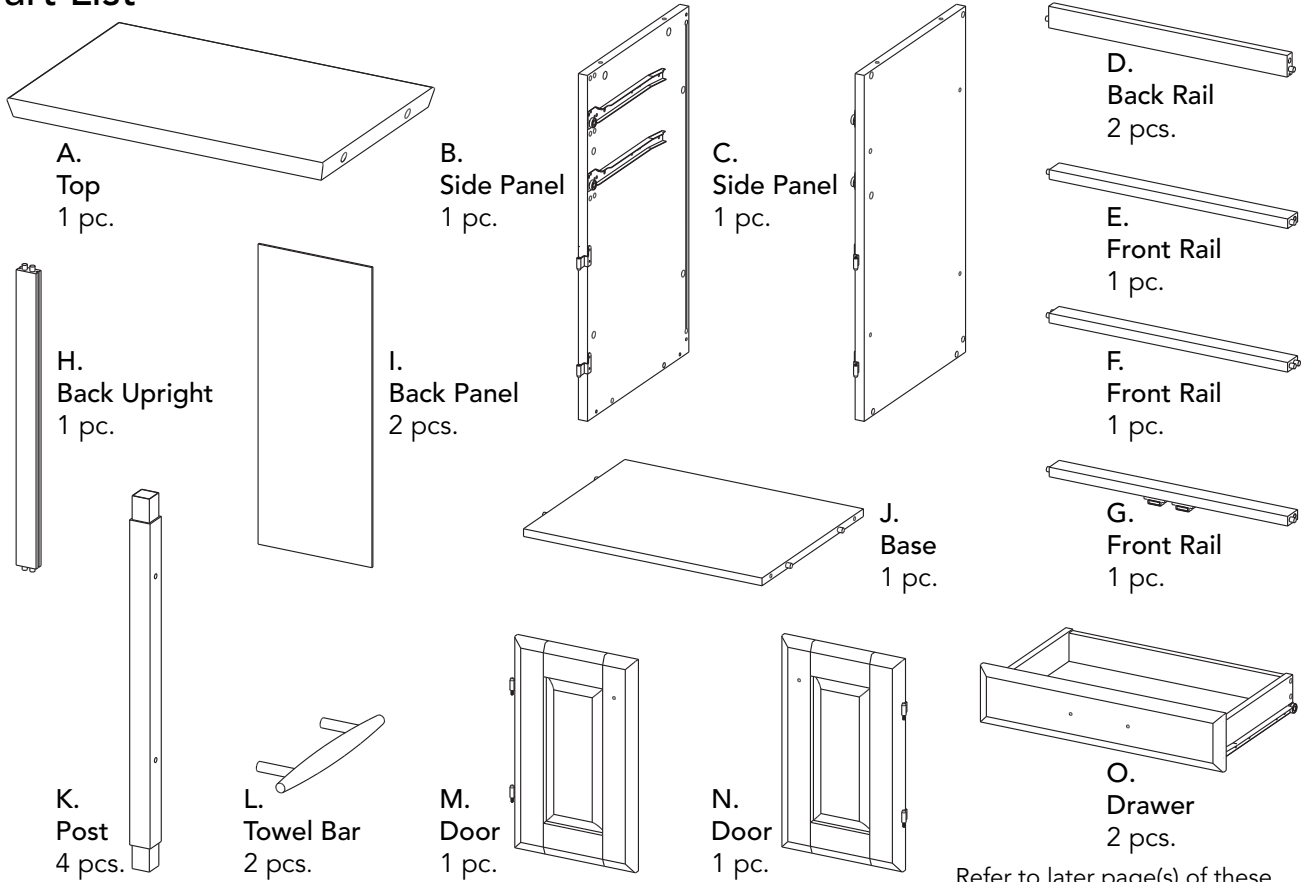
IMPORTANT

Carefully remove all the parts from the carton and place them individually on a soft cloth to prevent scratches or other damage.

Carefully and strictly follow these assembly instructions to ensure a completed product as designed.

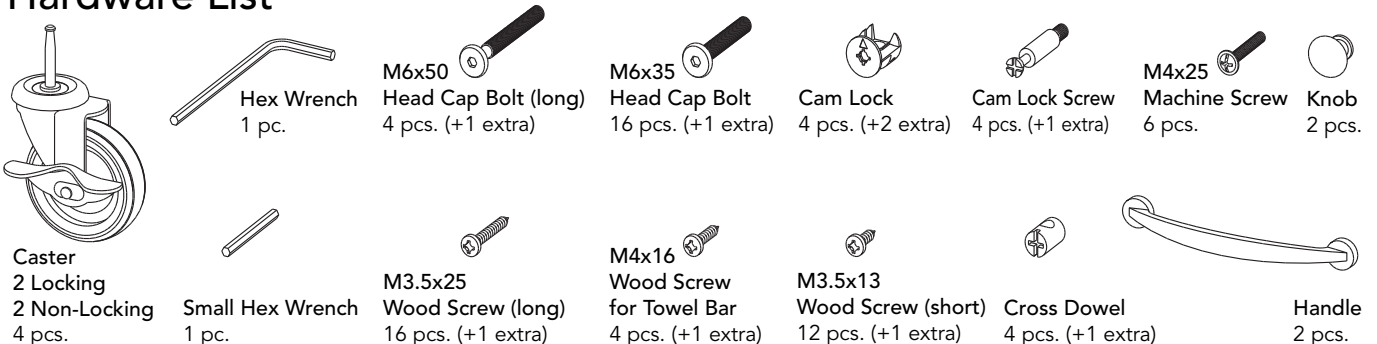
Do not use power tools above 8 volts to assemble.

Part List



Refer to later page(s) of these instructions for drawer assembly.

Hardware List



Tool(s) required for assembly: Phillips screwdriver

Assembly Instructions 2/5

IMPORTANT

- Use a soft cloth between these parts and the floor.
- Do not use power tools above 8 volts to assemble.
- Do not tighten all the bolts until each part is properly assembled.
- Keep Hex Wrench as the bolts may need to be tightened in the future.

STEP 1

Attach Back Rail (D) to Side Panel (B) with Head Cap Bolt. (See Figure 1)

Attach Back Upright (H) to Back Rail (D).

Slide Back Panels (I) into position.

Attach Back Rail (D) to unit with Head Cap Bolt.

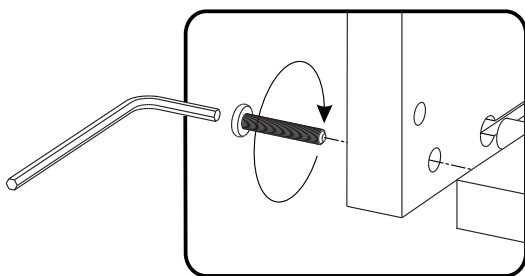
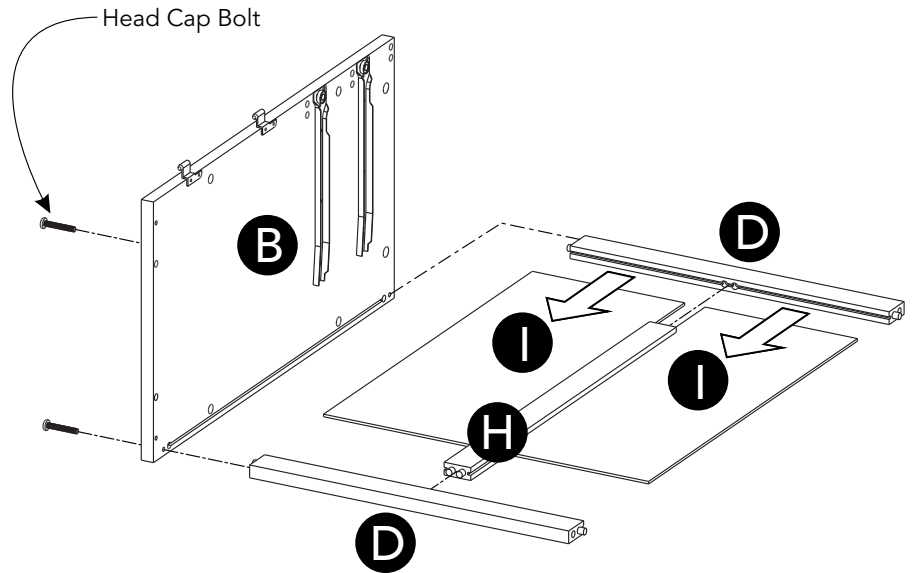


Figure 1

STEP 2

Attach Base (J) to unit with Cross Dowels and Head Cap Bolts (long). (See Figure 2)

Attach Front Rails (E) and (G) to unit with Head Cap Bolts.

Attach Front Rail (F) to unit.

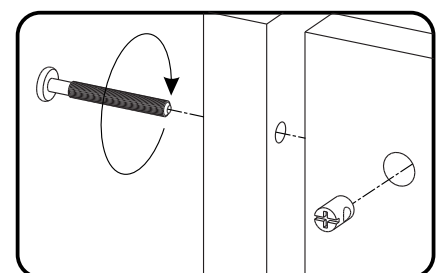
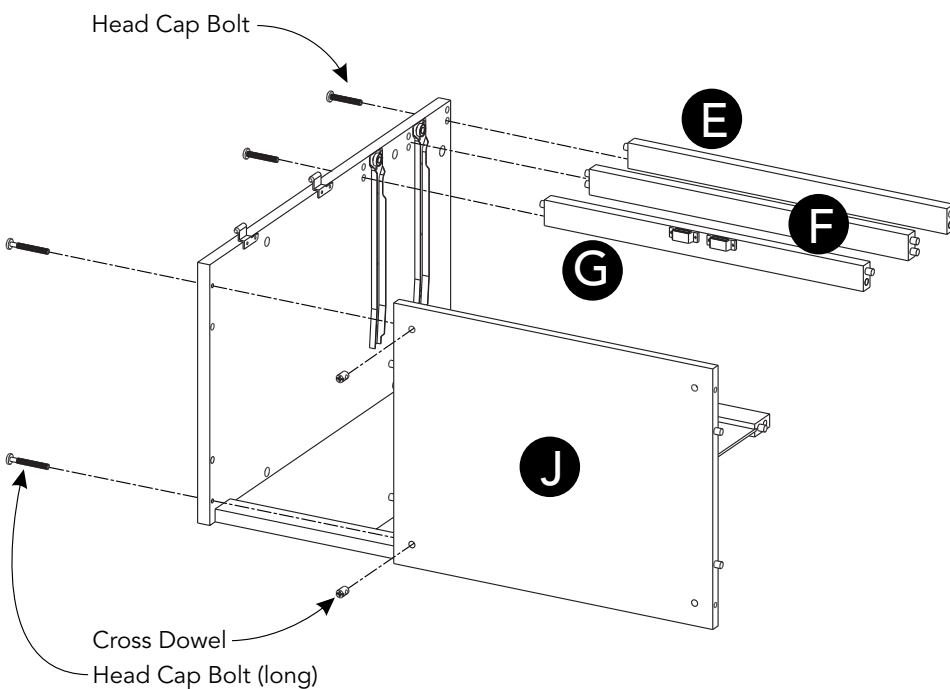
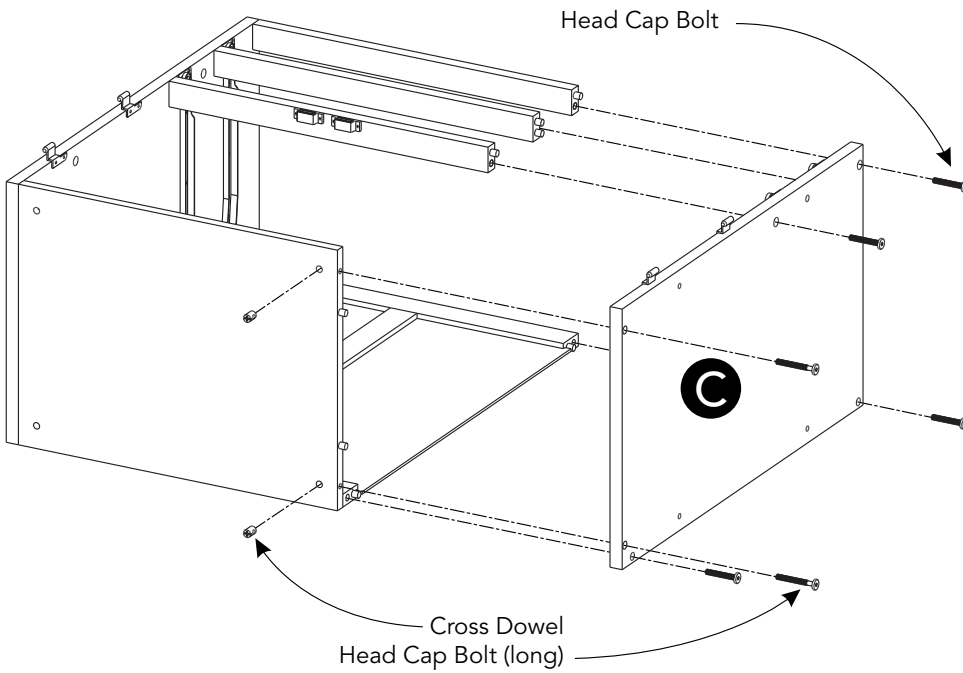


Figure 2

Assembly Instructions 3/5



STEP 3

Attach Side Panel (C) to unit with Head Cap Bolts, Cross Dowels and Head Cap Bolts (long).

STEP 4

Turn unit upside down.

Attach Posts (K) to unit with Head Cap Bolts.

Attach Casters to bottom of posts, with Locking Casters at front. (See Figure 3)

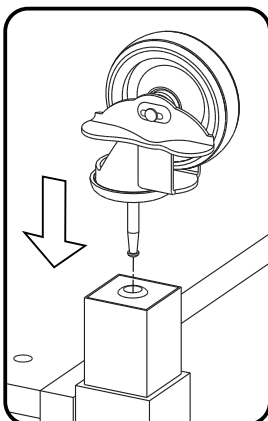
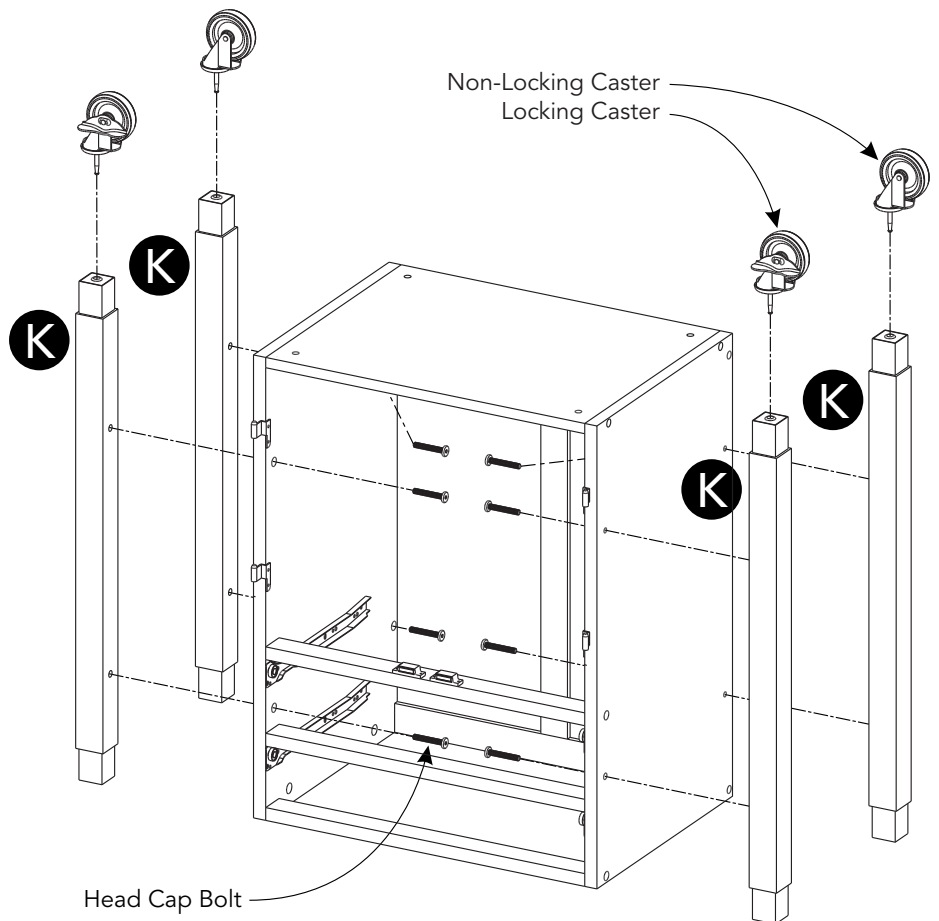
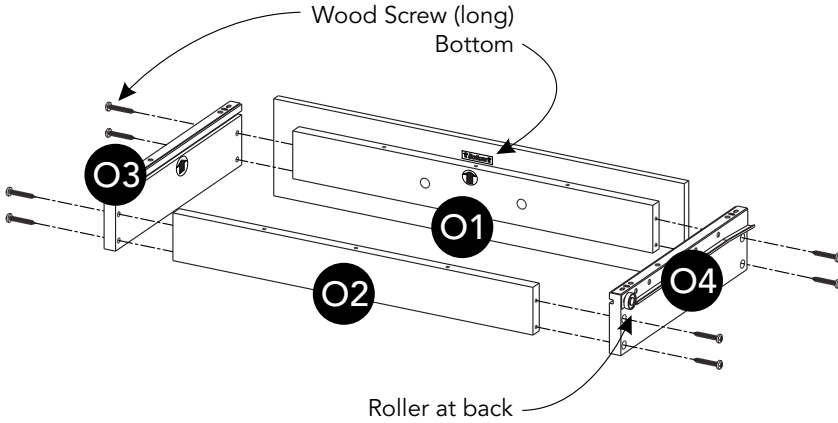
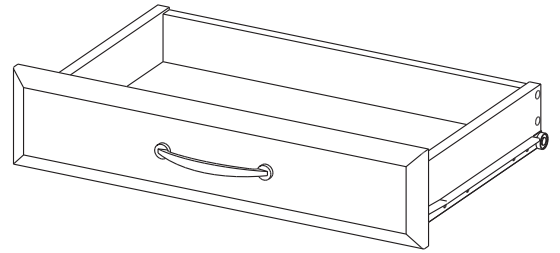


Figure 3

Assembly Instructions 4/5

Drawer (O)



STEP 5

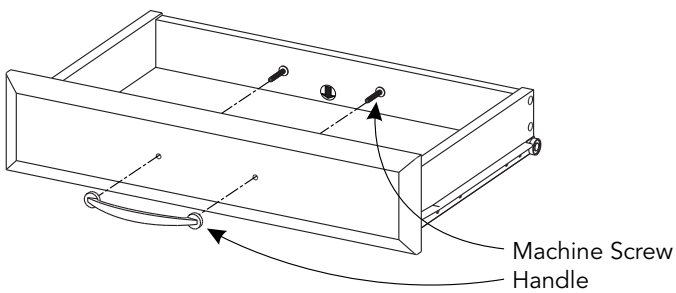
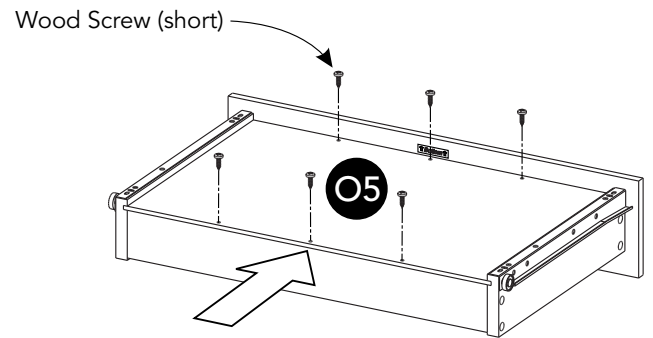
Attach Drawer Front (O1) and Drawer Back (O2) to Drawer Side (O3) with Wood Screws (long).

Attach Drawer Side (O4) to unit with Wood Screws (long).

STEP 6

Slide Drawer Bottom (O5) into groove.

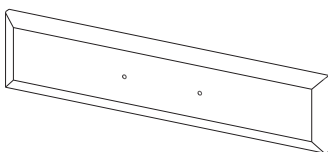
Attach Drawer Bottom (O5) to unit with Wood Screws (short).



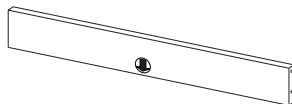
STEP 7

Attach Handle with Machine Screws.

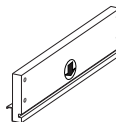
Part List



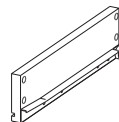
O1.
Drawer Front
2 pcs.



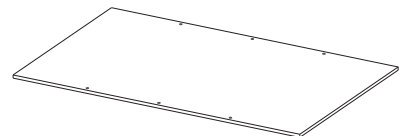
O2.
Drawer Back
2 pcs.



O3.
Drawer Side
2 pcs.



O4.
Drawer Side
2 pcs.



O5.
Drawer Bottom
2 pcs.

Assembly Instructions 5/5

STEP 8

Place Top (A) upside down on a soft cloth.

Attach Towel Bars (L) to Top (A) with Wood Screws for Towel Bar into pre-drilled holes.

Insert Cam Lock Screws into pre-drilled holes in Top (A), then tighten. (See Figure 4)

Wood Screw for Towel Bar

Cam Lock Screw

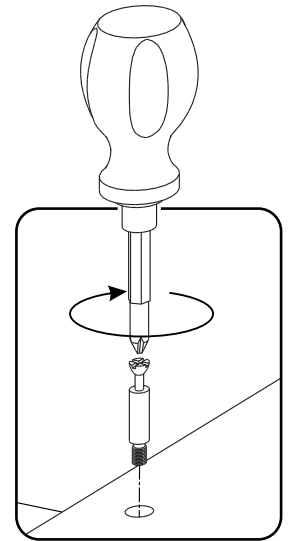
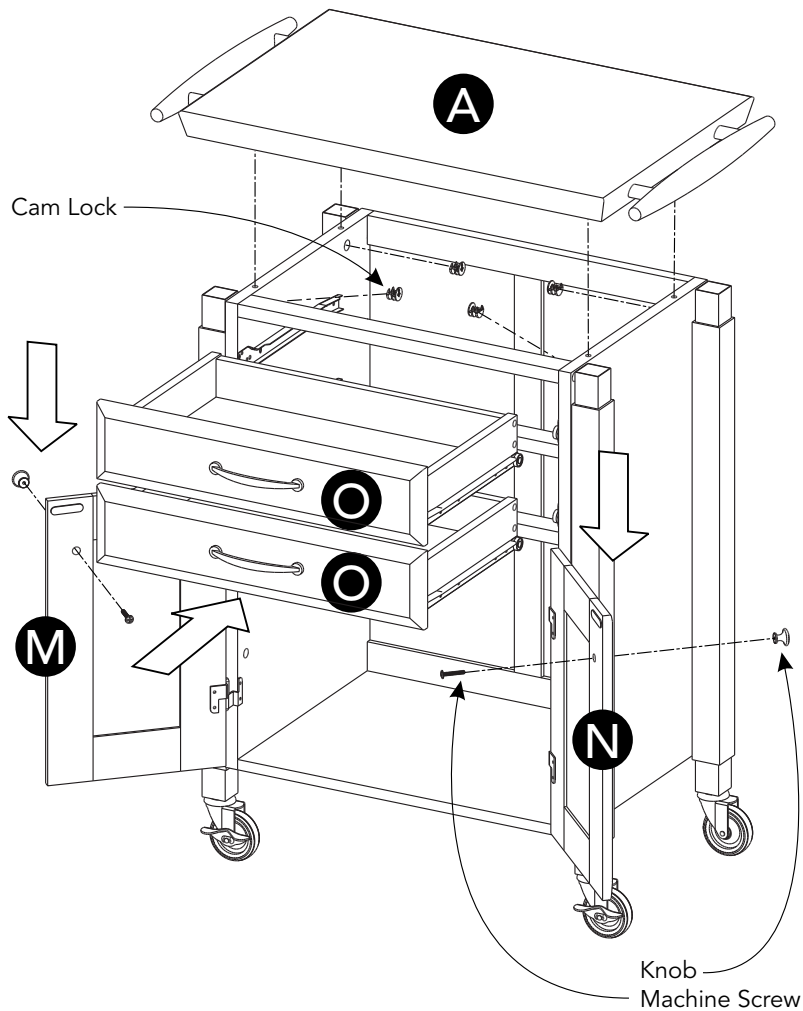
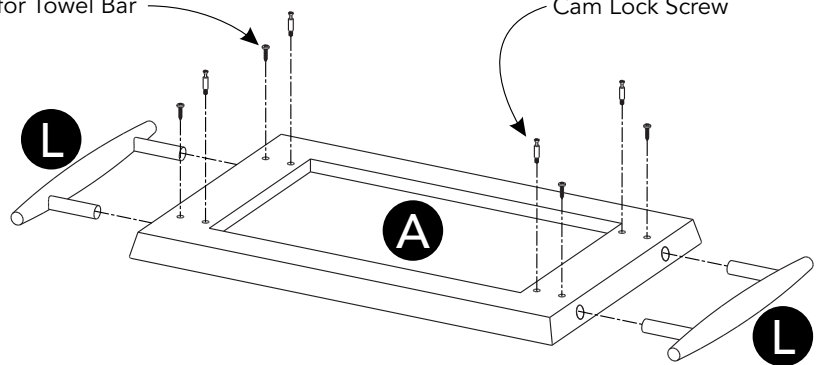


Figure 4

STEP 9

Turn unit to its upright position.

Attach Top (A) to unit with Cam Locks.

Attach Doors (M) and (N) to unit by sliding door hinges into side panel hinges. (See Figure 5)

Attach Knobs to Doors (M) and (N) with Machine Screws. (See Figure 6)

Slide Drawers (O) into position.

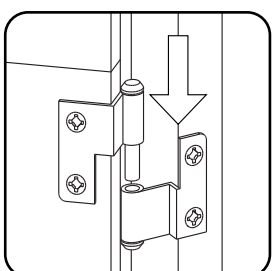


Figure 5

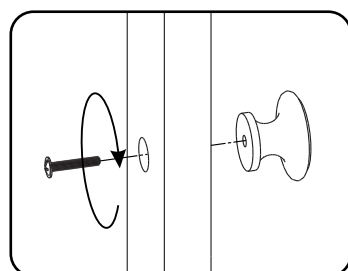


Figure 6

CARE INSTRUCTIONS

NEVER

allow liquids to remain on furniture.
Absorption causes parts to warp
and split and finishes to delaminate.

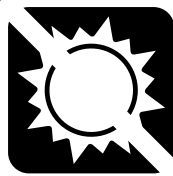
NEVER

use glass cleaners on
finished furniture. Ammonia
chemically attacks the finish.



Do not use power tools
above 8 volts to assemble.

**PREVENT
CRACKING**



Do not place
in direct sunlight.

**PREVENT
FADING**



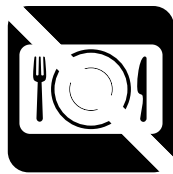
Do not write
directly on surface.

**PREVENT
MARKING**



Do not place hot
objects on surface.

**PREVENT
FINISH DAMAGE**



Do not use rubber
based placemats.

**PREVENT
DISCOLORING**

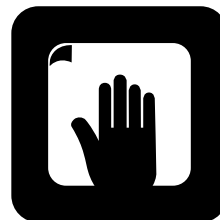


Do not use commercial
waxes and polishes.

**PREVENT
YELLOWING**

CLEAN

with a soft cloth moistened
in lukewarm soap and water.
Buff with a dry clean cloth.



homestyles will provide replacements free of charge for missing or damaged parts within 30 days of purchase. Digital images of the defective parts may be required. If the product was not purchased from an authorized retailer, **homestyles** is under no obligation to provide replacement parts. Parts are not available for fully assembled items nor are parts available for sale. Replacements for missing or damaged parts may be requested via contact info below.

homestyles Customer Service: www.homestylesfurniture.com,
servicedesk@homestylesfurniture.com, 888-680-7460