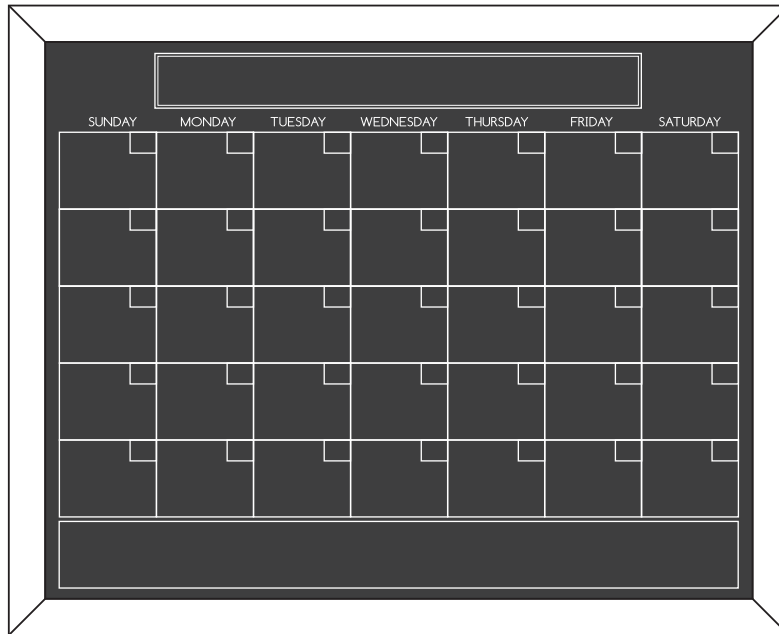



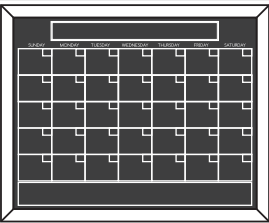





Thank you for choosing Sunnydaze Decor. We stand behind our brand and the quality of the items we sell. Replacement parts or products will be sent at our discretion within the 1-year warranty period. Proof of purchase, with the date of purchase as well as photos of the merchandise defect, must be provided. Photos are used to determine the cause of defects and for future quality control. Register your warranty at <https://tiny.cc/SunnydazeWarranty>. If you have any questions, comments or concerns, feel free to contact us by phone at 833-982-1977, by email: customerservice@sunnydazedecor.com, or via our contact us page at <https://tiny.cc/SunnydazeContact>

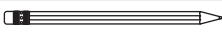



MAGNETIC CHALKBOARD WALL CALENDAR DYG-5291

Review all information before using this product. Save this manual for future reference.



 Inspect packaging to ensure all parts are accounted for before disposing of packing materials. Save the packing slip.

No.	PARTS		QTY.
A		Chalkboard Calendar	1
B		Magnet	4
C		Chalk	1PK
D		Eraser	1
E		Drywall Anchor	2
F		M6x29mm Screw	2

TOOLS REQUIRED (not included)	
	Pencil
	Power Drill with 6mm Drill Bit
	Phillips Screwdriver
	Tape Measure

⚠ WARNING ⚠
CHOKING HAZARD — This item contains small parts that can be swallowed. Keep away from children and pets.

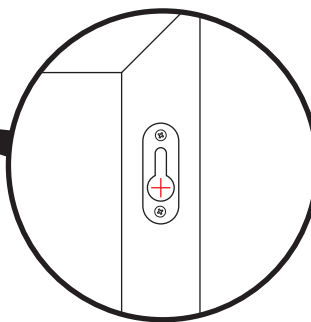
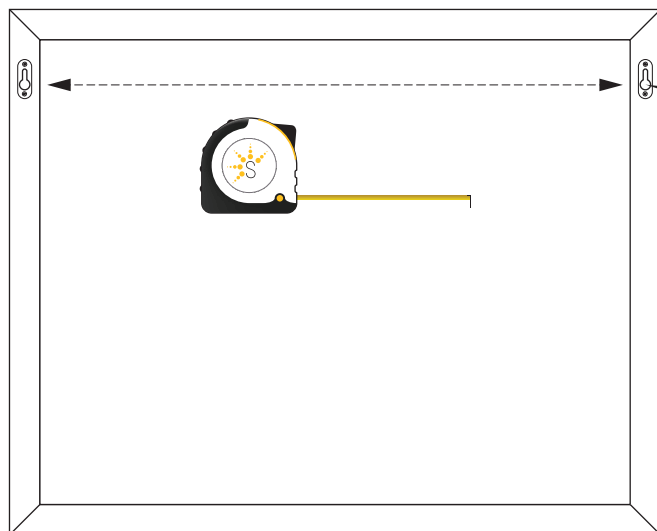
⚠ WARNING:

Manufacturer and seller expressly disclaim any and all liability from personal injury, property damage or loss, whether direct or indirect, or incidental, resulting from the incorrect attachment, improper use, inadequate maintenance, or neglect of this product.

INSTALLATION

STEP 1

A: 1



Place Chalkboard Calendar (A) face-down on a soft, clean surface.

Carefully measure the distance between the center of the flush mount brackets.

STEP 2



Carefully measure and mark the wall with the mounting hole distance.

TIP: Measure again to ensure accuracy.

STEP 3



Drill pilot holes.

STEP 4

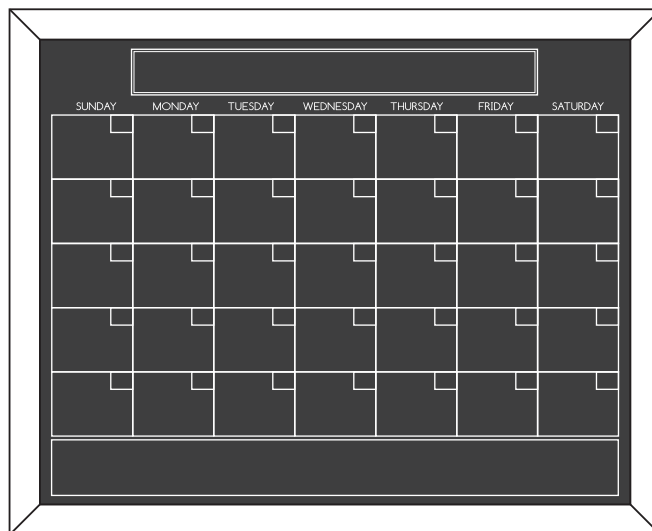
E: 2

F: 2



Press Drywall Anchors (E) into the pilot holes.
Install Screws (F) about 3/4 into the wall anchors.

STEP 5



Hang the chalkboard.

Care & Maintenance

SAFE USE: It is the installer's responsibility to ensure all mounting systems are properly installed. Failure to ensure adequate structural strength for the mounting system can result in personal injury or damage to the product. Only use the mounting system as described in the instructions.

CARE: We recommend using traditional chalk on the chalkboard surface. When using alternative chalk products, such as liquid chalk, read and follow all instructions as well as care procedures before using them on the writing surface.

CLEANING: Use the eraser to clean the writing surface. To wash, use a damp fabric cloth and gently wipe the surface. Do not use abrasive cleaning agents or materials. For stubborn stains, mix a small amount of vinegar with warm water and gently wipe with a clean fabric towel. Do not use paper towels or tissues to clean.

For the frame, follow the woodgrain with a soft cloth to remove dust, dirt, and debris. Do not use chemicals or abrasive materials as they will damage the wood and/or finish.

Do not soak the board as doing so will permanently damage the product.

WARNING: THE ONE-YEAR WARRANTY DOES NOT COVER DAMAGES OR DEFECTS CAUSED BY THE APPLICATION OF CHEMICAL TREATMENTS, PROTECTIVE COATINGS, OR CLEANING PRODUCTS.

SAFETY STATEMENTS & WARNINGS

- This product is not intended for use by children.
- Avoid long-term exposure to sunlight.
- Avoid placing near heating or cooling vents as forced air is be very drying and could damage the wood.
- Never use chemical cleaning products or polishes as they may damage the finish.
- Do not soak the board as doing so my result in permanent damage.

Any modification to the product or failure to follow recommended care will void the product warranty.

*If you experience issues or the product was damaged during shipping,
please contact our customer service team through one of the methods mentioned at the top of page 1.
Please have the item number and order information ready to expedite response time.*

WARNING:

Manufacturer and seller expressly disclaim any and all liability from personal injury, property damage or loss, whether direct or indirect, or incidental, resulting from the incorrect attachment, improper use, inadequate maintenance, or neglect of this product.