



see what Delta can do<sup>SM</sup>

## SLIDE BAR/GRAB BAR HAND HELD SHOWER

- 9-Spray Setting Hand Shower
- Push Button Selection

### FEATURES:

- Touch-Clean® Nozzles
- ActivTouch®

### STANDARD SPECIFICATIONS

- Max flow rate 1.75 gpm @ 80 psi, 6.6 L/min @ 550 kPa
- 60"-82" (1524 mm - 2083 mm) Stretchable Metal hose
- Simple one-handed control
- Dual check valves for backflow prevention
- 3 buttons create 9 unique sprays
- Pause button operates from front or back
- Soft touch non-slip grip
- Traditional slide bar / grab bar
- Hand held shower with nine spray setting - pause is a non-positive shut-off
- ADA compliant adjustable mount, hand shower and hose
- ADA compliant grab bar when installed per accessibility guidelines of the act

### WARRANTY

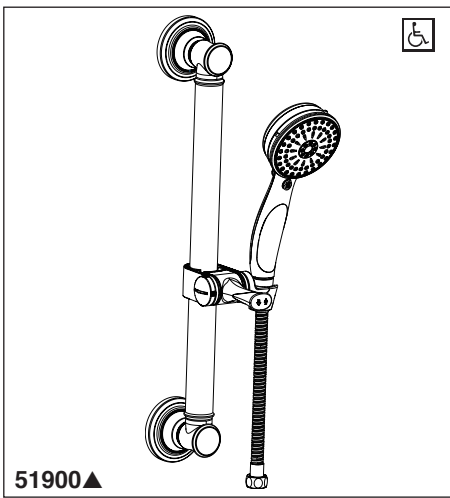
- Parts and Finish - Lifetime limited warranty; or for commercial purchasers, 10 years for multi-family residential (apartments and condominiums) and 5 years for all other commercial uses, in each case from the date of purchase.
- Electronic Parts and Batteries (if applicable) - 5 years from the date of purchase; or for commercial purchasers, 1 year from the date of purchase. No warranty is provided on batteries.



### COMPLIES WITH:

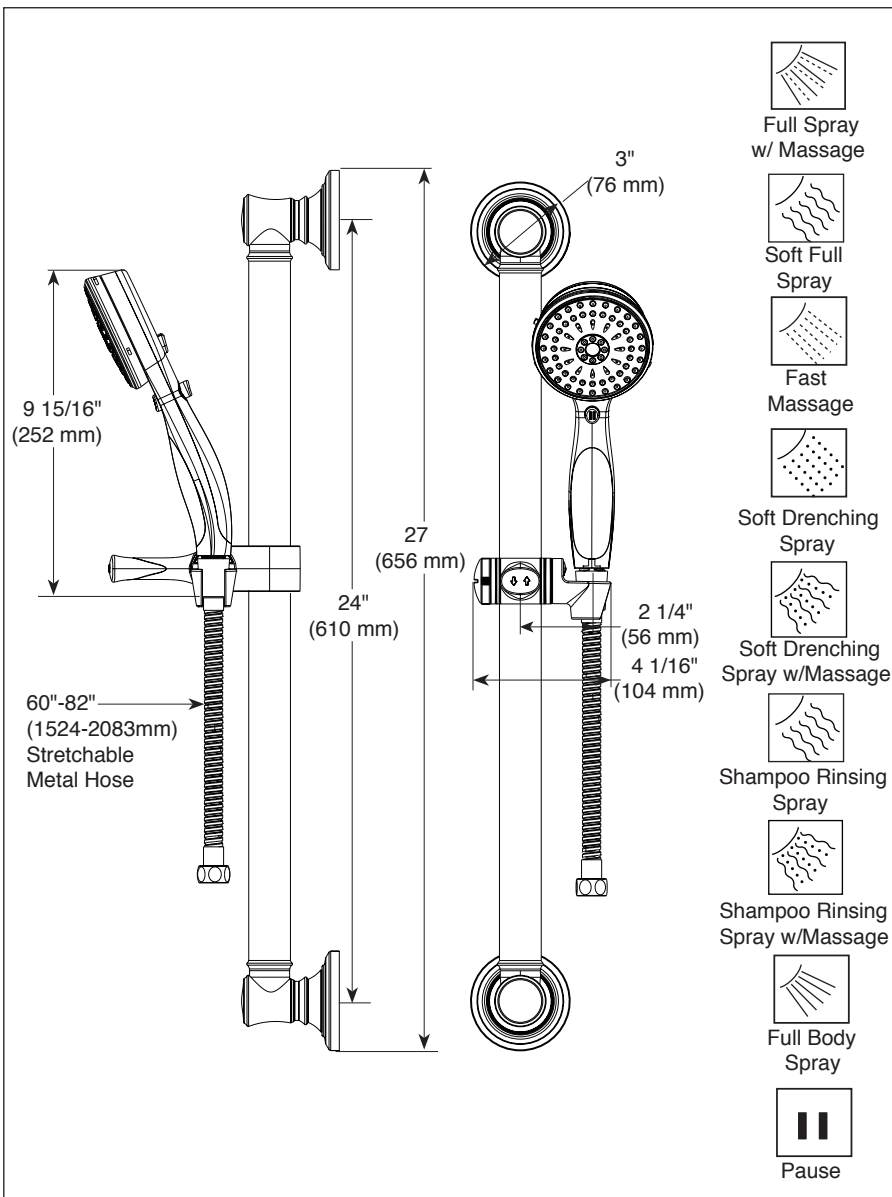
- ASME A112.18.1 / CSA B125.1 ◆
- ASME A112.18.3
- ♿ Indicates compliance to ICC/ANSI A117.1
- EPA WaterSense®

- ◆ Your Delta Faucet hand shower incorporates a backflow protection system that has been tested to be in compliance with ASME A112.18.3 and ASME A112.18.1/CSA B125.1. It incorporates two certified check valves in series, which operate independently and are integral, non-serviceable parts of the wand assembly.



51900▲

Submitted Model No.: \_\_\_\_\_  
Specific Features: \_\_\_\_\_



▲ Designate Proper Finish Suffix

Delta reserves the right (1) to make changes in specifications and materials, and (2) to change or discontinue models, both without notice or obligation. Dimensions are for reference only. See current full-line price book or [www.deltafaucet.com](http://www.deltafaucet.com) for finish options and product availability.

DSP-B-51900 Rev F

### Delta Faucet Company

55 E. 111th Street, Indianapolis, IN 46280  
350 South Edgeware Road, St. Thomas, ON N5P 4L1  
© 2019 Delta Faucet Company