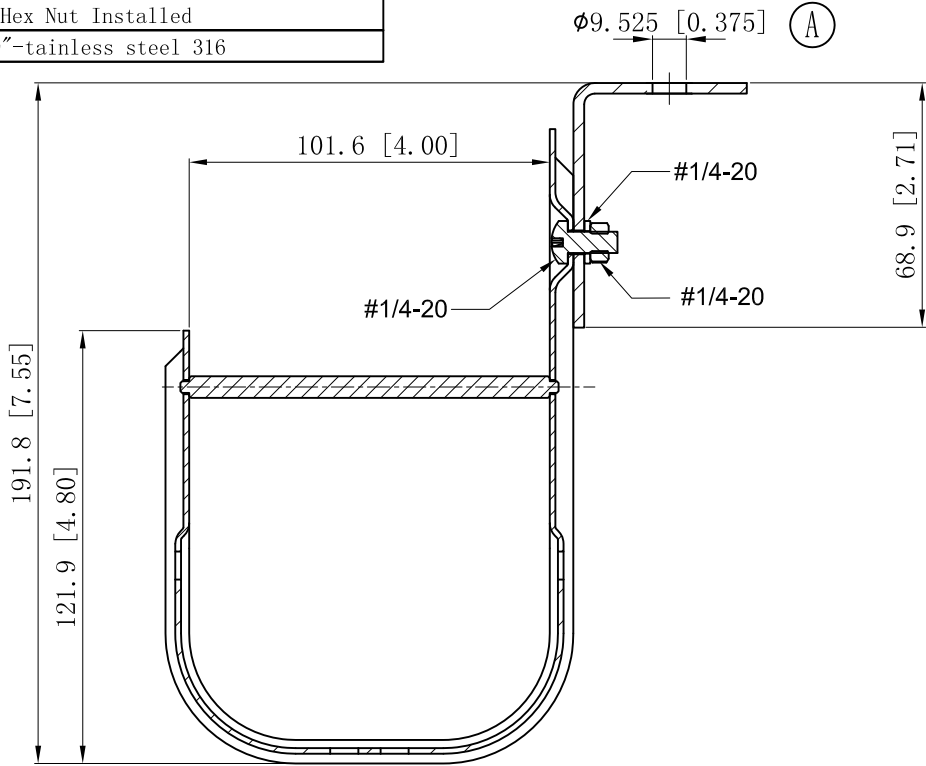
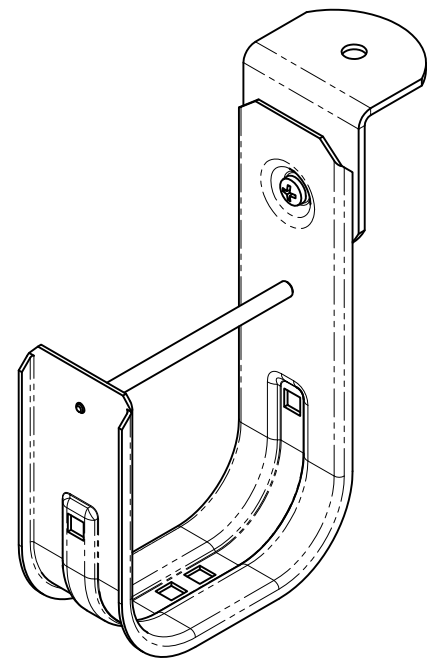
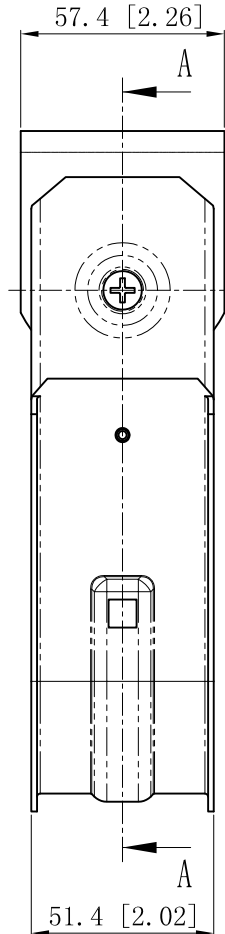


SIDES	BOTTOM
1 PCS 1/4-20×3/8" Screws Installed	
1 PCS 1/4-20 Flat Washer Installed	
1 PCS 1/4-20 Hex Nut Installed	
Material:0.059"-tainless steel 316	



CUTAWAY VIEW A-A



This data sheet is for reference only .GARVIN INDUSTRIES reserves the right to make changes to the design without prior notice.

DESCRIPTION
TRADE REFERENCE TERMS

STANDARD PACKING	<h1 style="text-align: center;">GARVIN INDUSTRIES</h1> <h2 style="text-align: center;">J-HOOKS WITH ANGLE BRACKET</h2>			
25 PCS				
	TITLE	SIZE	DWG NO.	REV
		A4	JHK-64-ABSS	A
	DATA SHEET			
	www.garvinindustries.com			