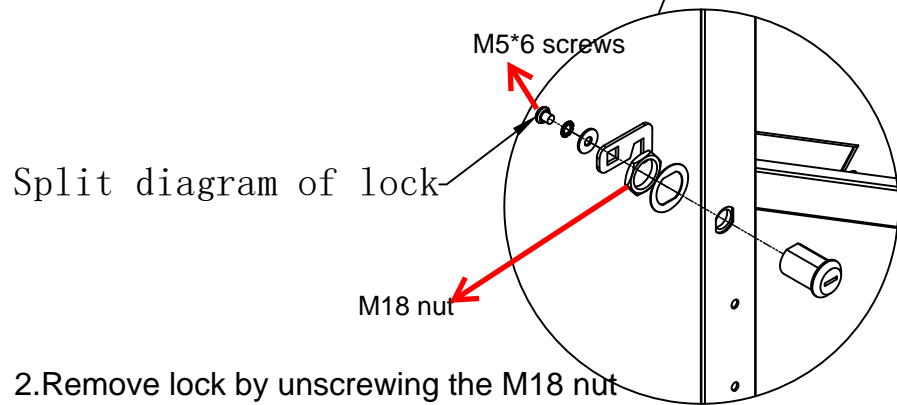
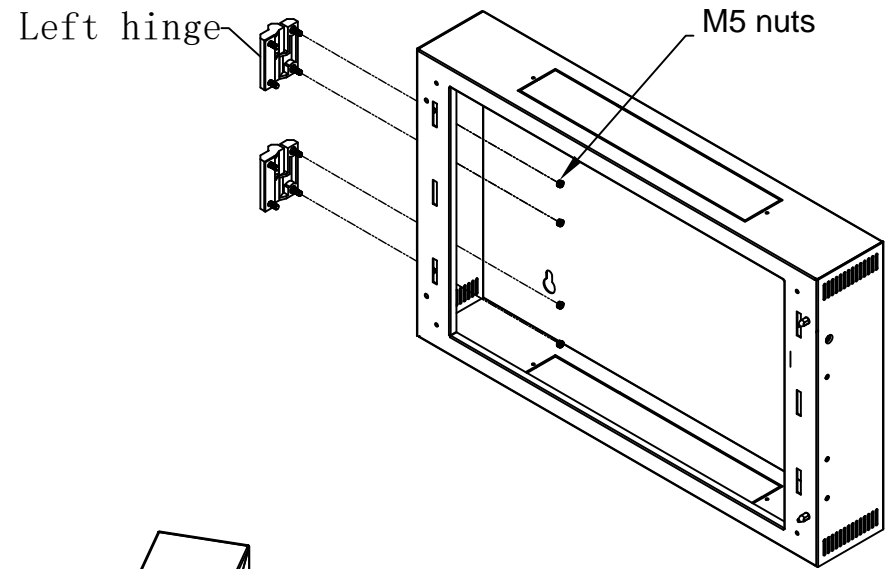
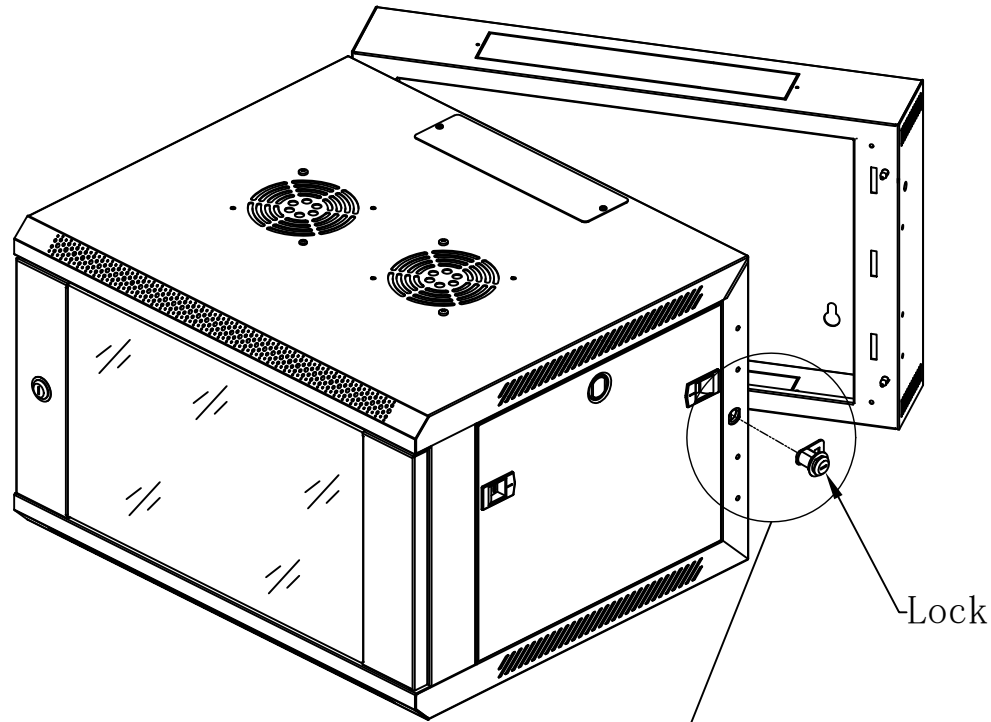


Remove Left Hinges and Lock

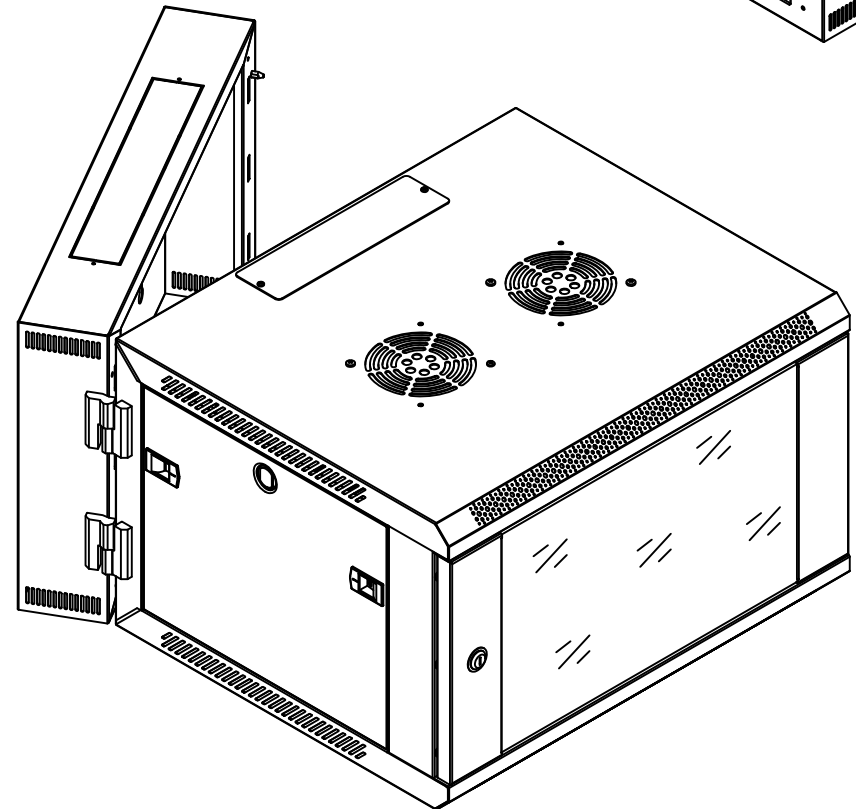
1. Remove left hinges by removing M5 nuts.



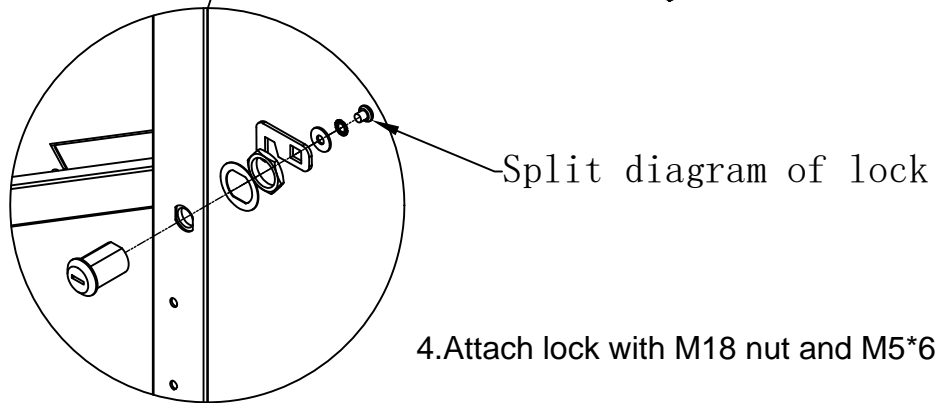
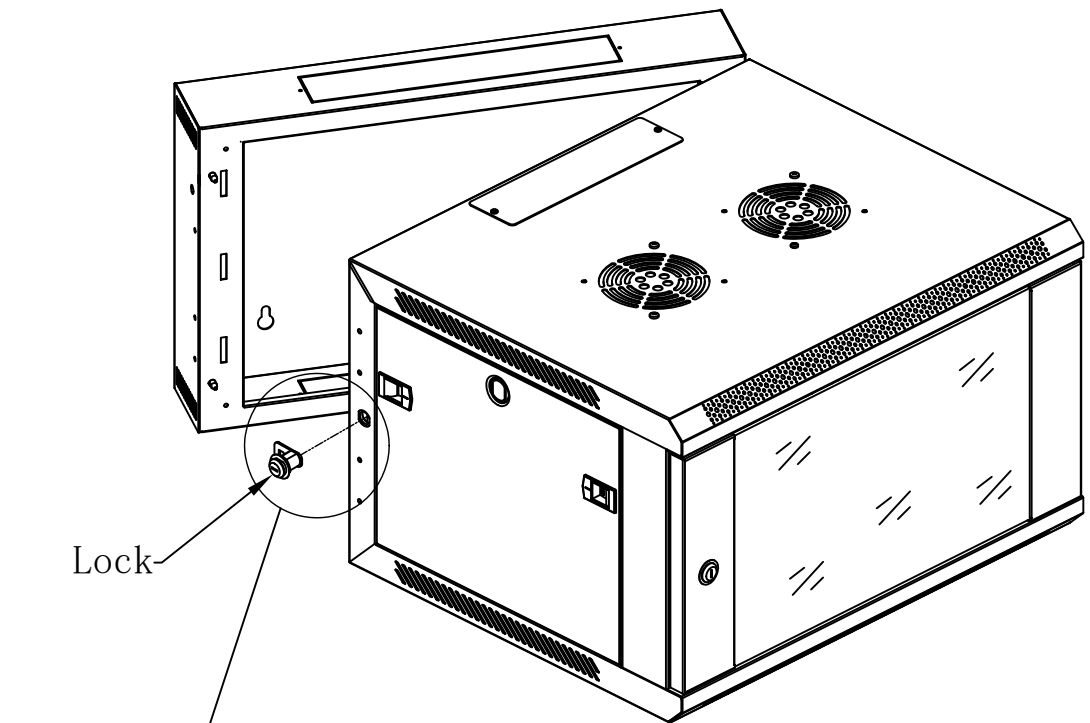
2. Remove lock by unscrewing the M18 nut and the M5*6 screws.

TOOLS NEEDED:

- 1. 8mm socket wrench & 22mm wrench;
- 2. Phillips screw driver;



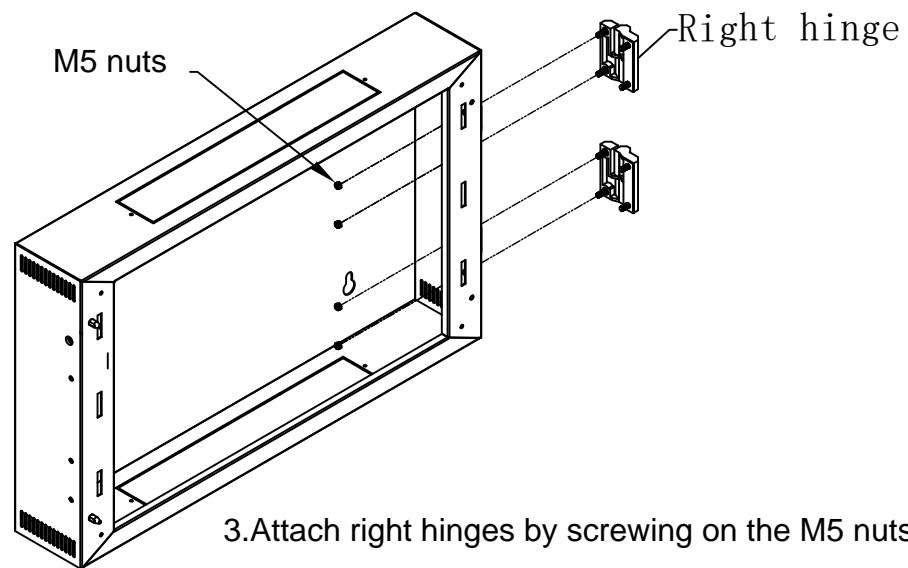
Attach Right Hinges and lock



4. Attach lock with M18 nut and M5*6 screw.

TOOLS NEEDED:

1. 8mm socket wrench & 22mm wrench;
2. Phillips screw driver;



3. Attach right hinges by screwing on the M5 nuts.

