

T20/26 SERIES



HILLYARD

The Cleaning Resource®

 **TRIDENT®**

Better Built. Better Equipment.

Better Built. Better Equipment.

Our Trident Brand of equipment starts from the ground up - at a place where intelligent design intersects with innovative technology and exceptional engineering to deliver superior cleaning equipment. Cleaning equipment that lowers your total cost of ownership, reduces your cost to clean and improves cleaning results. It's what you expect out of your equipment investment, and it's what we deliver. We're Hillyard, The Cleaning Resource, since 1907.



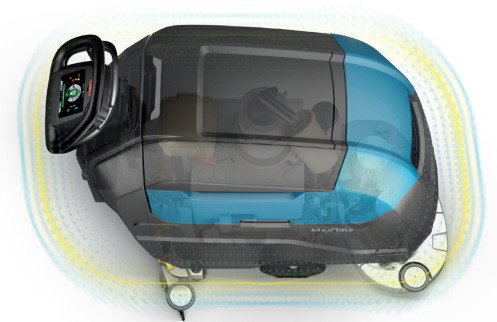
Intelligent
Design



Exceptional
Engineering



Innovative
Technology



The outer body surrounds the internal structure and mechanical parts, protecting them from impact.

*T20SC Pro pictured with optional light kit.
Lights standard on T26SC Plus.*

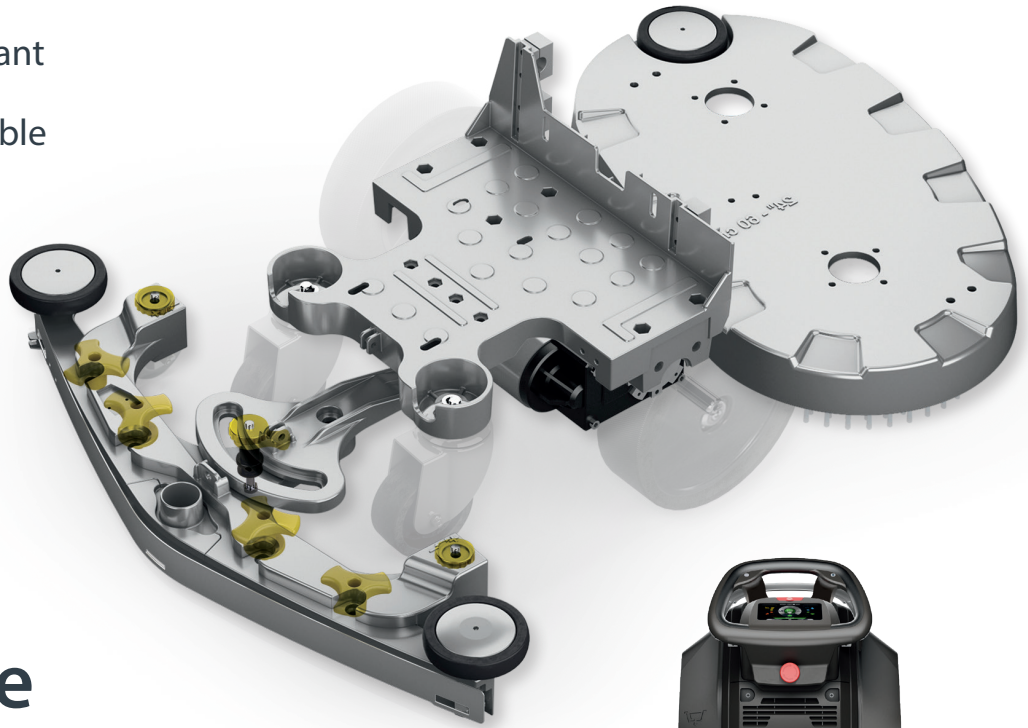
Productivity: Up to 23,00 Sq. Ft. per hour



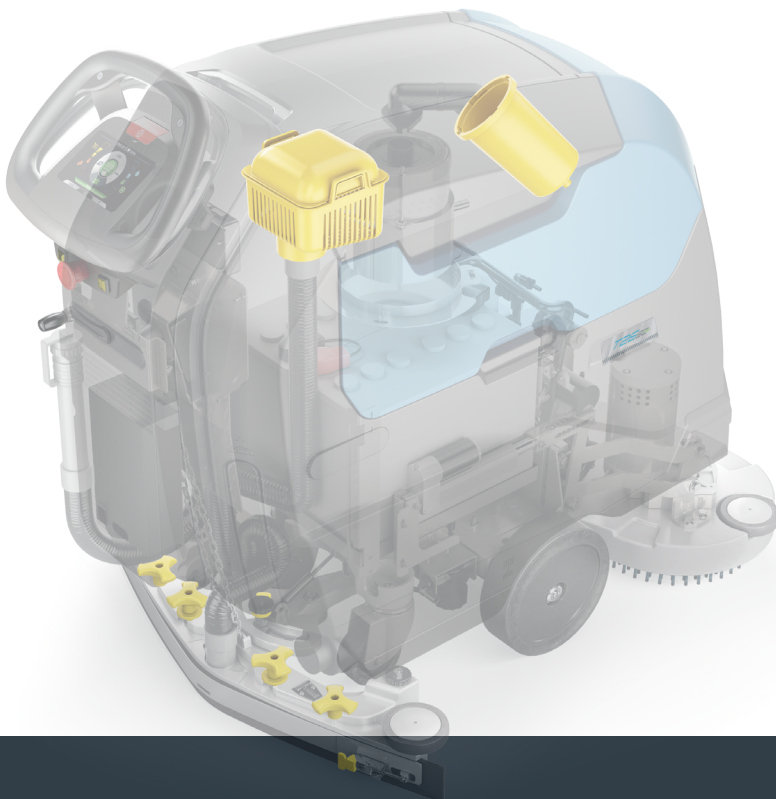
Designed to Last a Lifetime

Innovative Aluminum Chassis Platform

- Corrosion Resistant
- Sturdy and Durable
- Light Weight
- Precision Fit



Ease-Of-Use



Yellow Color-Coded Parts

Parts that should be cleaned daily are color-coded in yellow. This saves time and makes sure your scrubber is kept in perfect condition at all times.

Increase Productivity



Consistent Cleaning Results

Pressure on the brushes is kept constant, delivering consistent high cleaning results.



Reduce Downtime

The largest tanks in its class: less stops to fill/empty the tanks.



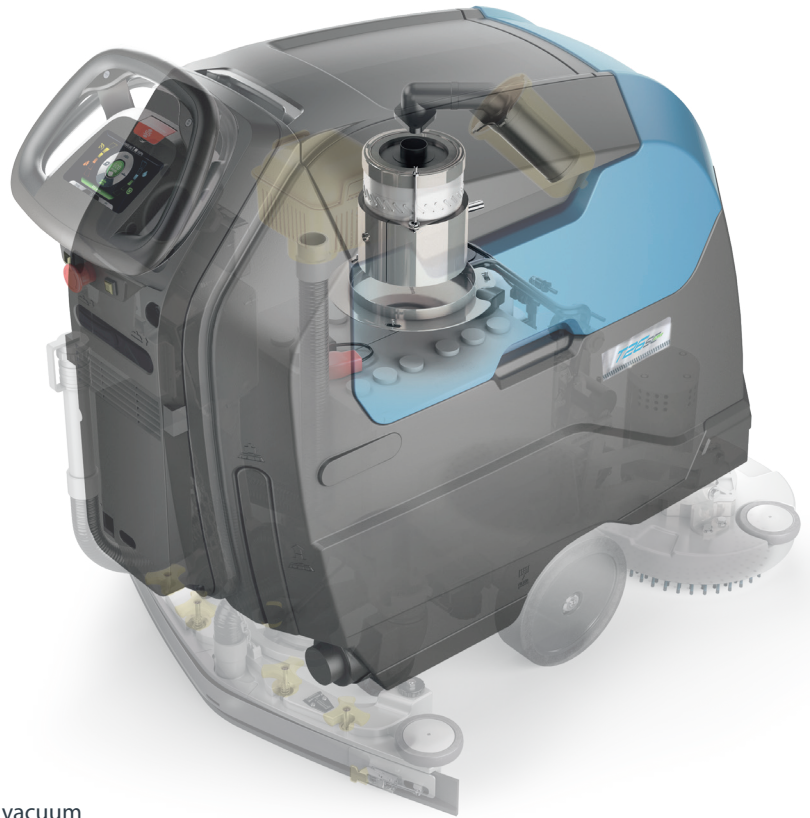
Rapid Dry

The powerful 2-stage vacuum motor immediately dries the floor, reducing the chance of slip/falls.



Start & Stop Technology

When the machine is idle, the brush motor, vacuum motor, traction and detergent pump will turn off automatically, reducing costs and emissions. All the functions are reactivated automatically as soon as the operator accelerates.



Power Mode For Heavy Soil

Activate the Power Mode to increase the delivery rate of detergent solution, boost brush pressure, and increase vacuum power to tackle heavy duty cleaning. Let Power Mode run for the full length of its 60-second countdown clock, or stop it with a touch at anytime.

POWER
mode





Safety



Emergency Stop

By pressing a single button the machine stops immediately.



LED Lighting

Front LED headlights maximize safety in all conditions. Standard on T26SC Plus, optional on T20SC Pro models.



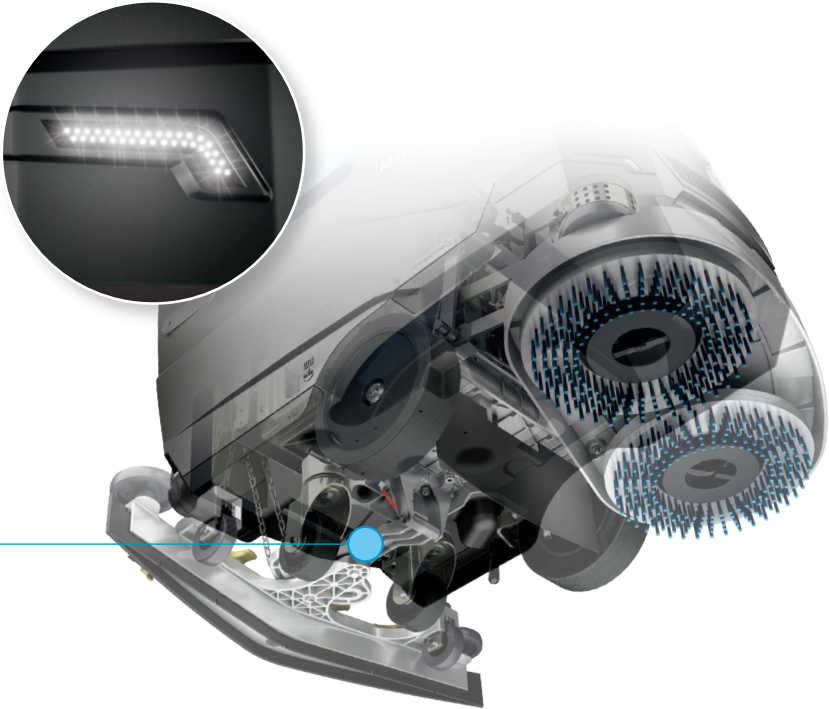
Automatic Electro Braking

Automatically operated safety brake engages when the machine stops. It acts as a safety parking brake.



One-Touch - Service On Site

One-touch service contact in case of emergency. Pushing the red button will automatically send an e-mail to the authorized Hillyard service department on record. The service department can quickly act.



Eco Mode For Conservation

Activate the Eco Mode to help conserve water, detergent and energy by using only the quantities needed and nothing more while still getting the cleaning performance required.





PLUS

T26SC PLUS

Plus Configuration

High-Definition Touch Screen
Color Display



Innovative Technology A Finger-Tip Touch Away



TOUCH SCREEN
DISPLAY



LOG-IN WITH
PASSWORD



PERSONALIZED
WORK ZONE
PROGRAMS



CRUISE
CONTROL



SUSTAINABLE
CLEANING



TOUGH
CLEANING



VIDEO
TUTORIALS



Simplified Cleaning and Control

The operator is the center of a high-tech universe, where everything is easy and intuitive.

All functions and activities are managed from a single interface, where a mere touch of the finger offers access to an extraordinary choice of customizable features that satisfy all types of requirements with effortless simplicity.

The high-definition color display offers the same intuitive experience as a smartphone.



LOG-IN WITH PASSWORD

Protect your investment and personalize the settings.



CUSTOM WORK ZONE PROGRAMS

Configure the machine with settings specific to a zone's cleaning needs. The operator simply selects the zone and the settings are automatically applied.



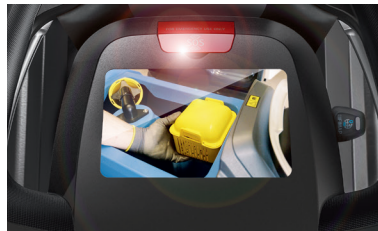
ECO MODE

Sustainable, cost-effective cleaning. Reduces sound, water and detergent consumption, and saves energy.



POWER MODE

Maximum power for tough cleaning.



ONBOARD DIGITAL INSTRUCTIONS

Giving you all the information you need exactly when you need it.

Pro Configuration *T20SC PRO*

Membrane Control Panel



Standard Onboard Charging

All T20SC and T26SC models come with onboard battery charging, simplifying recharging.



Join The Connected Cleaning World*

Keep tabs on your machines remotely whenever you want and from wherever you want!



GEOLOCATION

Know where your machines are.



USAGE DATA

Know who's using your machine and how it is being used.



MAINTENANCE

Know the health status of machines and batteries.



TELEMETRY

Critical machine data is always being monitored for peak performance.



Hillyard Fleet Management



Discover the HFM universe and experience the advantages of being constantly connected, with the My.Machine app!



My.Machine



Knowledge Is Power

Making technology available to improve efficiency is one of the core missions of Hillyard. It gives you the power to make the right decisions for your cleaning program.

HFM, the Hillyard Fleet Management system collects data sent by connected cleaning machines and transforms it into valuable information. Information that is easily accessible in real time, 24/7, from your smartphone.

Being constantly connected to your machines will help you operate them even more efficiently and effectively. Know where your machines are, and if the operation is being carried out according to plans at the scheduled time.

Machine health is constantly monitored. In the unlikely event of a breakdown, you'll receive an alert notification directly on your smartphone, allowing you to promptly take corrective action and immediately call technical support.

Easily check the battery conditions and the quality of the charges in order to optimize battery endurance and life cycle.

The sensors provide hard impact feedback. Now you will know how the equipment is being used.

It's time to get your cleaning world connected with Hillyard Fleet Management.

Sustainable Technologies



TES

Trident Energy Saver

Reduces energy consumption by up to 35%. LED technology consumes much less energy than conventional headlights, offers a longer lifespan and illuminates with a brilliant natural daylight.



TDC

Trident Dosing Control*

Water and detergent are dosed separately, optimizing cleaning and reducing chemical and water consumption by up to 50%.



TFC

Trident Flow Control

Engineered water flow system that delivers equal solution to both scrub brushes ensuring proper coverage to deliver consistent cleaning quality.



* Optional System



Better Built. Better Equipment.

Standard and Optional Equipment

• STANDARD ○ OPTION - NOT AVAILABLE



Intelligent Drive

User Experience	T20SC Pro	T20SC Pro - Orbital	T26SC Plus
- 5-Inch High-Resolution Color Touch Screen	-	-	•
- Log-In With Password	-	-	•
- "Zone" Program	•	•	•
- Eco Mode	•	•	•
- Power Mode	-	-	•
- Video Tutorials	-	-	•
Membrane Control Panel	•	•	-

Comfort

Hour Meter	•	•	•
Key Switch	•	•	•
Cleaning Solution Level Indicator	•	•	•
Water And Detergent Empty Tank Lights	-	-	•
Onboard Battery Charger	•	•	•
Automatic Brush Coupling/Uncoupling	•	-	-
Brush And Squeegee Actuator	-	-	•
Brush Actuator	•	•	-
Squeegee Manual Lifting	•	•	-

Productivity

Speed Selector	•	•	•
Water Flow Selector	•	•	•
Tri-Level Pressure Selector	-	-	•
Dual-Level Pressure	•	•	-
HFM - Hillyard Fleet Management With SOS Device	○	○	○
Aluminum Frame, Squeegee & Squeegee Support	•	•	•
Vacuum Speed Selector	-	-	•



Safety

Driving LED Light Pack Kit (Front)	○	○	•
Emergency Stop	•	•	•
Electro Parking Brake	•	•	•



Environment

TDC - Trident Dosing Control	○	○	○
TES - Trident Energy Saver	•	•	•
TFC - Trident Flow Control	-	-	•



Dealer-Installed Optional Equipment

Dealer-Installed Optional Equipment	T20SC Pro	T20SC Pro - Orbital	T26SC Plus
Trident Dosing Control Kit	HIL227201	HIL227201	HIL227201
Hillyard Fleet Management Kit	HIL227715	HIL227715	HIL227715



Specifications		T20SC Pro	T20SC Pro - Orbital	T26SC Plus
Hillyard Item Number		HIL56005	HIL56006	HIL56007
Cleaning Path	In	20	20	26
Squeegee Width	In	28	28	31
Disc Brushes	(No.) In	(1) 20	n/a	(2) 13
Rectangular Pad	In	n/a	(1) 14 x 20	n/a
Oscillations Per Minute	(No.)	n/a	2400	n/a
Solution Tank	Gal	15.9	15.9	15.9
Recovery Tank	Gal	17.2	17.2	17.2
Supply/Traction	V	24/Automatic	24/Automatic	24/Automatic
Acoustic Level (Iso 11201)	Db (A)	<70	<70	<70
Brush Motor(s)	(No.) V/W	(1) 24/500	(1) 24/560	(2) 24/400
Vacuum Motor	V/W	24/410	24/410	24/410
Traction Motor	V/W	24/180	24/180	24/180
Brushes RPM	RPM/Min.	140	n/a	140
Brush Pressure - Variable Range	Lb	55-77	55-77	55-77-99
Forward Speed	MPH	0 - 1.86	0 - 2.17	0 - 2.17
Gradeability	%	10	10	10
Productivity	Sq.ft/Hr	19,000	19,000	19,000
Battery Compartment Dimensions (L,H,W)	In	19.0, 10.0, 13.8	19.0, 10.0, 13.8	19.0, 10.0, 13.8
Machine Dimensions (L,H,W)	In	51.0, 48.0, 28.0	51.0, 48.0, 28.0	51.0, 48.0, 31.0
Charging System		Onboard	Onboard	Onboard
Machine Weight (Without Battery)	Lb	529	529	529
Contents		1 - Machine 1 - Nylon Brush 1 - Pad Holder 1 - Charging Cord 1 - Owners Kit	1 - Machine 1 - Charging Cord 1 - Owners Kit	1 - Machine 2 - Nylon Brushes 2 - Pad Holders 1 - Charging Cord 1 - Owners Kit

Squeegee Replacement Guide	T20SC Pro	T20SC Pro - Orbital	T26SC Plus
Front And Rear Squeegee Kit	HIL227173	HIL227173	HIL228561

Brush and Pad Guide	T20SC Pro	T20SC Pro - Orbital	T26SC Plus
Brush(es) - Soft, 0.3MM PPL, Blue	HIL404654	n/a	HIL422189
Brush(es) - Medium, 0.6MM PPL, White (Standard)	HIL405631	n/a	HIL422971
Brush(es) - Stiff, 0.9MM PPL, Black	n/a	n/a	HIL422972
Brush(es) - Abrasive, 80 Grit, Gray	n/a	n/a	HIL422981
Pad - Red	HIL42220	HIL41420	HIL42213

Battery Recommendations - Sold Separately	Discover Energy	Trojan	U.S. Battery
Type	AGM	Wet	Wet
Quantity Required	2	2	2
Size	12V / 140 Ah	12V / 150 Ah	12V / 145 Ah
Dimensions (L,W,H - Inches)	12 7/8 x 6 1/8 x 10	13 1/8 x 7 1/8 x 11 3/8	13 1/8 x 7 1/8 x 11 3/8
Weight (Each), Lbs.	87	79	81
Hillyard Item Number	DIEEV27AA	TROT1275	UBMUS12VXC2



Better Built. Better Equipment.



PO Box 909
St. Joseph, MO 64502
www.hillyard.com

LIT-T20SERIES_FULL-1123

Subject to change without notice.

The battery that's always ready for work!



No more watering or waiting to charge

Virtually maintenance-free NexSys® PURE batteries never need watering, so there's never a risk of spills on clean floors. Thanks to Thin Plate Pure Lead (TPPL) technology, NexSys PURE batteries provide longer life, lower corrosion rates and higher energy throughput.

A safer, cleaner choice for carpets and public spaces

Sealed NexSys PURE batteries generate minimal gassing, so they are a great option for retail or public environments. With a shelf life of up to two years, NexSys PURE batteries will be ready to go after sitting idle for months. They can also be full fast charged in less than two hours and opportunity charged during breaks or whenever convenient. Plus, NexSys PURE batteries have integrated data communication tools that issue automatic alerts when it's time to recharge and capture operating data for battery monitoring.

Thin Plate Pure Lead (TPPL) Design

NexSys® PURE batteries are constructed with pure lead plates. Pure lead plates are extremely thin, so more of them fit into the battery. More plates mean more power – up to 20% more power than the same sized conventional flooded battery.

Superior Storage Life

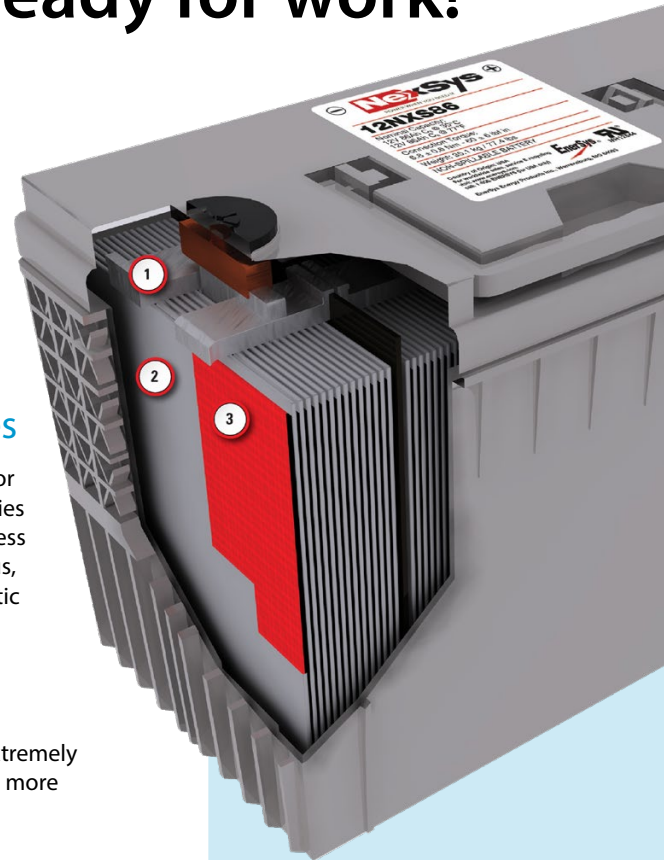
NexSys PURE batteries will be ready for work even after months of inactivity – when fully charged, NexSys PURE Gen 1 batteries have a storage life of up to 24 months and NexSys PURE Gen 2 batteries will last up to 18 months.

Protection from Over-Discharge™ - POD™

To support frequent charges, NexSys batteries are equipped with a Protection from Over-Discharge™ (POD™) device that analyzes battery voltage and State of Charge (SOC) during operation and storage. The device issues audible and visual reminder alarms when the battery requires charging.

Full Replacement, 3 Year Warranty Coverage

When installed in Hillyard Trident Equipment, and recommended operating procedures are followed, the EnerSys Nexsys platform offers 3 years full replacement as long as the POD was installed. Effective from date of invoice.



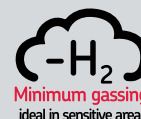
- 1 Robust Connections**
 Cell connectors are cast on the plates and bonded to resist vibration.
- 2 Pure Lead Plates**
 Constructed of 99% pure lead, the plates are extremely thin so more of them can fit in the battery.
- 3 Compressed Plate Separators**
 Separators are compressed before being inserted in the case for extreme vibration resistance.



Virtually maintenance-free
 No watering, battery cleaning or long equalize charges



Optimized cycling performance and high energy throughput



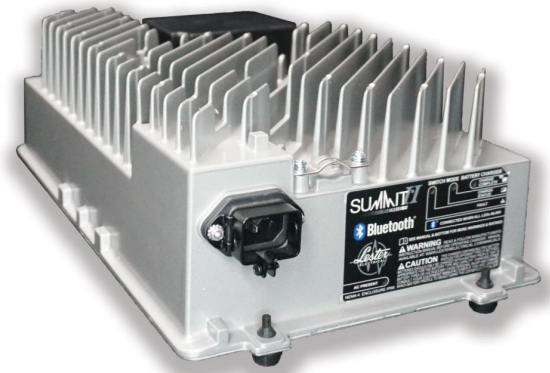
Minimum gassing and sealed
 ideal in sensitive areas



VIBRATION RESISTANT
 Cell connectors are cast and bonded to the plates



SUMMIT SERIES® II CHARGERS



BLUETOOTH®

Featuring Bluetooth wireless communication with apps for Apple® and Android™ phones and tablets. View charge cycle status, select the active battery profile, upload new profiles, change between on-board and off-board and download charge history records anytime using just a smart phone or tablet.



PERFORMANCE

Our Summit Series® II provides industry-leading charging performance and intelligence. Our proprietary Progressive DV/DT™ charge algorithm ensures a precisely charged battery every time. The chargers are tested in extreme temperatures and operating conditions and built to last.



EFFICIENCY

Our switch mode (high frequency) chargers have best-in-class efficiency and are compliant with the latest DOE and CEC, standards. We operate a CEC approved laboratory in our Lincoln, NE manufacturing plant.

Full Replacement, 3 Year Warranty Coverage

Three year full replacement from the date of invoice.

Scrubber		Foam Inserts		Battery									Charger					
Model	Item No	Insert-A 1/machine unless noted	Insert-B 1/machine unless noted	Qty	Hil Item No Prefix (EnerSys Block In Bold)	Bat Ah @C5	Dimensions			Wt. Lbs.	Ah @17% charge rate/ hr	Charger Min Amp Output	EnerSys POD	Lester Model	Hil Item No	Charging Battery Profile #	OnB Charger Bypass	Spare Hardware Kit
							L	W	H									
B20SC*	HIL56003	n/a	n/a	2	ESY12NXS86	86	12	7	9	77.4	14.7	17	ESY6LA11921	650	HIL34787	22657	N/A	Local Source
T20SC Pro	HIL56005	n/a	n/a	2	ESY12NXS120	120	13.5	7.25	11	94.8	20.4	21	ESY6LA11921	650	HIL34787	22659	HIL436428	ESY32079818
T20SC Pro Orb	HIL56006																	
T26SC Plus	HIL56007																	
R22SC Orb	HIL56008																	
R22SC	HIL56010																	
R26SC Plus	HIL56026																	
R26SC Pro	HIL56027																	
R30SC	HIL56009	HIL36000	HIL36003	2	ESY12NXS157	157	17.5	7	10.5	117	26.7	27	ESY6LA11921	1425	HIL34788	22854	HIL436428	ESY23010422
R30SC Plus	HIL56011	HIL36000	HIL36003															
R28SC Plus Orb	HIL56012	HIL36000	HIL36003															
T28S Pro	HIL56028	HIL36002	n/a															
T30SC Pro	HIL56029	HIL36002	n/a															
R36S Plus**	HIL56013	HIL36001	HIL36000 requires 3	3	ESY12NXS186	186	22	5.25	12.75	131.1	31.7	33	ESY6LA11921	1425**	HIL34788	22806	n/a	ESY32079819
R36SC Plus**	HIL56020																	

*B20 also requires LE543844 adapter cable. ** Charger set up for R36 models also require adapter cable HIL449979.