



XOE
UNDER CABINET HOOD

HOW BEAUTIFUL KITCHENS BREATHE



XOE

- Two Speed Rocker Switch Control
- Can be wired for ADA Installations
- 2 Level Halogen Lights (x2)
- Dishwasher Safe Aluminum Mesh Filter

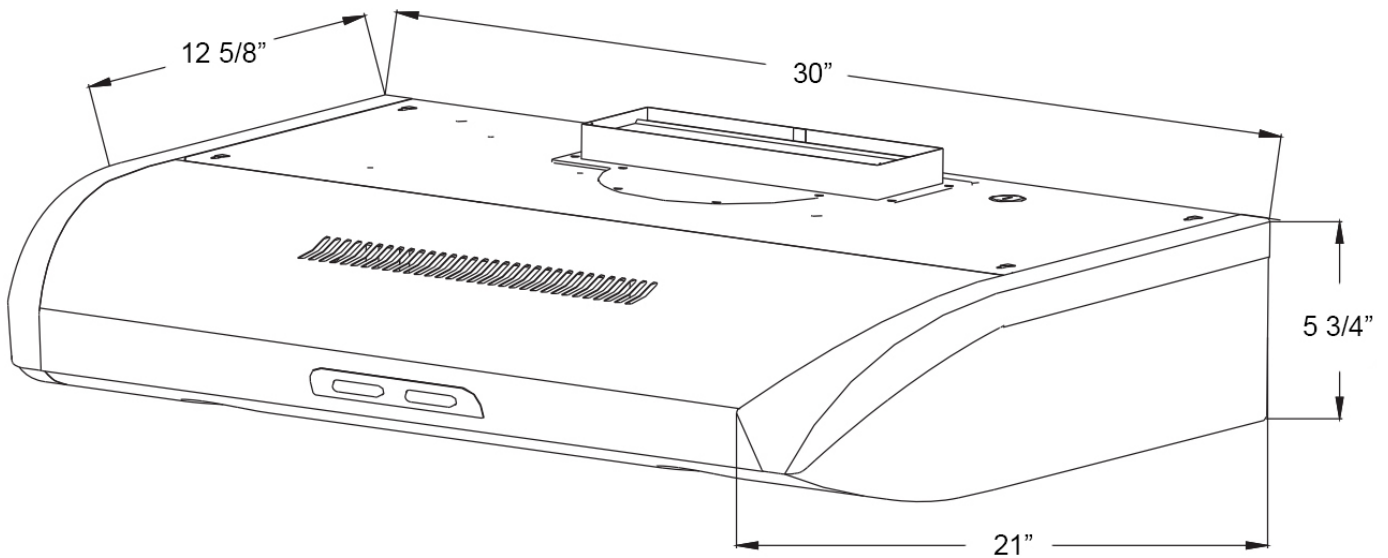
The XOE is part of our Performance collection, designed with the Do-It-Yourselfer and smaller kitchen makeovers in mind. It provides customers the opportunity to employ XO quality and innovation to vent their kitchen without having to re-invent their kitchen.

Available in three finishes and ducted or ductless, recirculating models.

At XO, we believe that a good design is something everyone can afford

WORLD CLASS SERVICE | COMPREHENSIVE WARRANTIES
OUR LASTING COMMITMENT TO YOU





FEATURES

FINISH

Stainless Steel, Black or White

FEATURES

- Two Level Halogen lights (x2)
- Two speed rocker switch blower control
- High Velocity Blower optimally removes Smoke, Grease and Odors
- ADA Compatible Alternative Wiring
- Top or Rear venting
- Dishwasher Safe Aluminum Mesh Filter

PERFORMANCE

SPEED	1	2
CFM	190	350
SONES	1.0	5.5

SPECIFICATIONS

ELECTRICAL 115VAC 60HZ 2.5 AMP

DIMENSIONS H 5-3/4"
W 30"
D 21"

MOUNTING HEIGHT

ABOVE COOKING 27" - 32"

DUCTING SIZES

Top - 6" round or 3 1/4" x 10"
Rear - 3 1/4" x 10"

OPTIONS

Recirculation Kit **XORFK10**
Aluminum Mesh Filter **XOEMESH30**

RECOMMENDED MOUNTING HEIGHT

All range hoods have a recommended range of installation height over the cooking surface. However cooking styles, types of cooking equipment and installation limitation can vary greatly. For installations outside the recommended range - consult XO.

THESE MODELS HAVE A 6" DIAMETER EXHAUST DUCT WHICH MAY BE CONFIGURED 3-1/4" x 10" RECTANGULAR DUCT. IT MAY ALSO BE CONVERTED FOR REAR VENTING.

RECIRCULATION

These XOE models may be installed with an optional recirculation kit when venting outside is not practical. The unit design includes vents in the top, front of the unit for easy installation.

Never discharge the exhaust into a confined space such as a soffit, attic, garage, crawl space or the voids between walls.

RE-WIRING FOR ADA APPLICATIONS

The Model XOE30 series Range Hood can be wired to comply with Sections 308 and 309 of ADA Guidelines when used with appropriately wall mounted controls situated 15" to 48" above the floor in a location that does not require reaching over a cooking appliance.

In order to achieve full functionality of both the two speed blower and two level lighting, instructions are written to employ two Master Flow Model BWS2 (or equal) type switches in a dedicated double gang box.

Installation of the remote switches must comply with the manufacturer's instructions.

Each switch is a rocker style and has a high, low and off position and is capable of handling an electrical load of 15 amps @120VAC. One switch will control the two level fan operation. The second switch will control the two level lighting. Each switch will connect to the Range hood using 14-3 AWG solid copper wire and must conform with all applicable electrical and building codes. All work must be completed by a licensed, qualified electrician familiar with this type of installation.

The re-wiring of the XOE range hood requires that the existing wiring be disconnected from the rocker switches that ship installed in the hood. Each lead to the high speed/low speed blower motor windings and high level/low level lighting circuits removed from the OEM rocker switch must then each be securely connected to the corresponding power supply line coming from the dedicated wall switches. Common wiring must be properly connected and all work must be properly grounded. Failure to correctly wire this unit shall void the warranty and may constitute a hazard.

