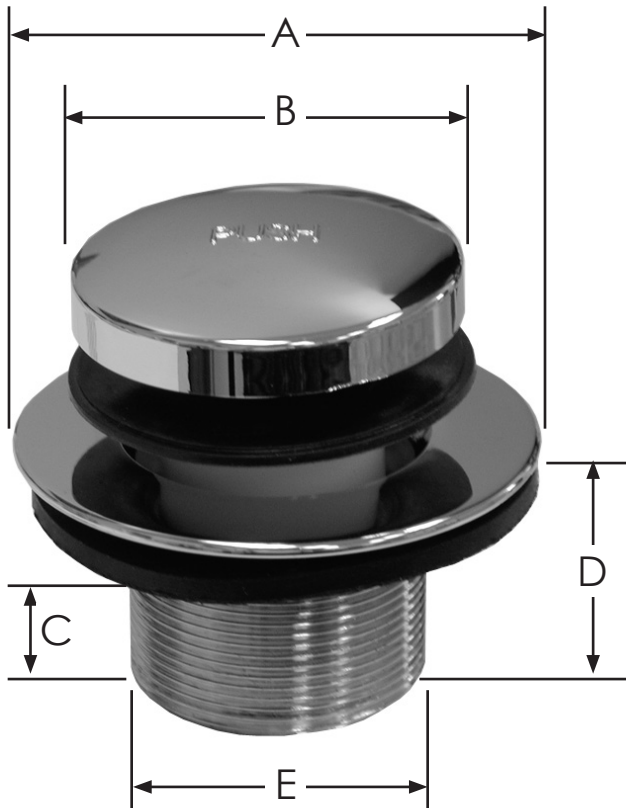


SPECIFICATION SUBMITTAL SHEET

JONES STEPHENS CORPORATION

TOE TOUCH BATH DRAIN



features and benefits:

- Chrome plated zinc

This product and others like it can be found in the Jones Stephens catalog. Call today to order your catalog or download it from our website: www.plumbest.com

PART NO.	SIZE	A	B	C	D	E
□ P35063	1-3/8" FIP	2-3/4"	2"	1-1/4"	1-3/8"	1-5/8"

Jones Stephens Corporation
3249 Moody Parkway • Moody, Alabama 35004
Toll Free Phone: 1-800-355-6637 • Toll Free Fax: 1-800-462-6991
www.plumbest.com