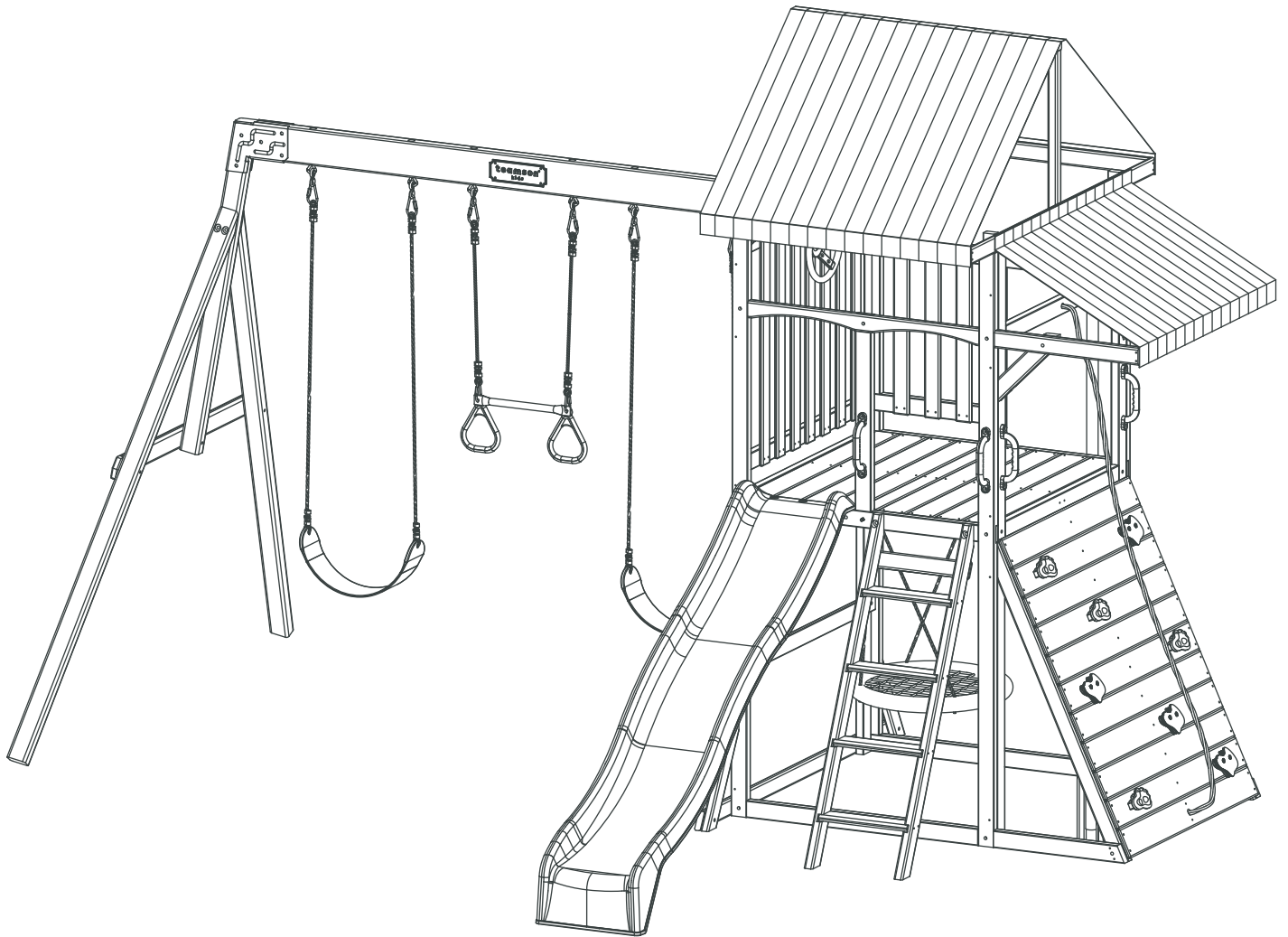


T-OD-0069-00G

Laguna Outdoor Wooden Swing Set

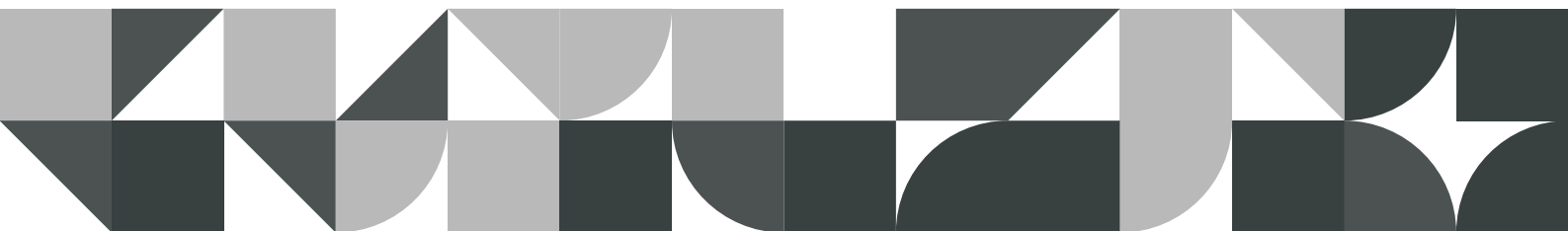
Aqua and Natural

E-1224



! WARNING

To reduce the risk of serious injury or death, please read and follow these instructions. Keep and refer to instructions as needed and pass along to any future owners of this item.



www.teamson.com

1280 Lakes Parkway Suite 200 Lawrenceville GA 30043 | (770) 246-4898

Please Read this Before Assembly

- **Review the Manual:** Read the entire manual, especially the safety instructions, before starting.
- **Prepare the Area:** Ensure the installation area is level and suggest providing a 6-foot safety zone on all sides.
- **Inventory All Parts:** Lay out and check all parts, including small pieces that may be hidden in packaging.
- **Warranty Notice:** This playset is for private residential use only. Public use, such as in daycares or parks, will void the warranty.
- **Assembly Process:** Work with another person and leave bolts loose until the frame is fully squared.
- **Keep Safety in Mind:** Always prioritize safety during assembly and use, following the manual's guidelines.
- **Save the Manual:** Retain for future reference and maintenance.



MISSING A PART ?
CONTACT US INSTEAD OF
RETURNING TO THE STORE

The store where you made your purchase does not stock parts for this item. If you have any questions or you are missing or have a damage part, please contact

✉ **support@teamson.com**
+1(770) 246-4898 | www.teamson.com



Please have the following information **model number** **batch number** **ID Plaque number** **part number** ready when you make your call:

T-OD-0069-00G

**Outdoor Explorer
Charles Plus Playset**

E-1224

model number

*Model Number located on the front of the assembly manual



batch number

123456789A

Wood Parts

number on the wood part name **part number**

0010 Main Frame Side-Left - 3290010
(x2) - 1 1/4" x 2 1/2" x 88"

quantity part size

Hardware

part number part name

S37 Pan Screw
(x20) - #7 x 5/8"

quantity part size



Swing Set
ID Plaque number

T1234567890



Playhouse
ID Plaque number

T1234567890

⚠ Warnings and Safe Play Instructions

Continuous Adult Supervision Required

This remains appropriately placed first as adult supervision is the foundation of playground safety. No further adjustments needed.

Your Child's Safety is Our Top Priority

This effectively reinforces the importance of reviewing safety rules, and the wording is clear and concise.

Choking Hazard/Sharp Edges & Points

Adult assembly required. This product contains small parts and parts with sharp edges and points. Keep parts away from children until fully assembled.

Serious Head Injury Hazard

The placement after safety concerns is logical, and it leads directly into installation risks. The wording emphasizes the critical nature of installing proper shock-absorbing materials.

Collision Hazard

This naturally follows the head injury risk by warning about environmental hazards. The current placement and phrasing are effective.

Choking Hazard/Sharp Edges

This naturally follows the head injury risk by warning about environmental hazards. The current placement and phrasing are effective.

Choking Hazard/Sharp Edges

Highlighting these risks during assembly is appropriate, as it reminds users to stay vigilant before the playset is fully constructed. The phrasing is clear.

Tip-Over Hazard

Anchors shall be placed level with or under the ground in order to reduce tipping hazards.

Warning Label Maintenance

This is correctly placed after the more immediate risks. Reminding users of their responsibility to maintain legible safety labels is key to ensuring long-term safety.

Regular Inspection and Maintenance

The recommendation to inspect regularly aligns well after the playset is in use. This ties into the general theme of ongoing vigilance for safety.

Anchoring and Stability

Anchoring is crucial for preventing tip-overs, so reiterating its importance after regular inspection strengthens the focus on structural stability. The flow here is smooth.

Weather Considerations

The weather-related risks are well-placed after anchoring and stability. Seasonal considerations make sense following the structural checks.

Surface and Clearance

Ending with this reinforces earlier safety points, particularly about head injuries. By revisiting the importance of ground clearance and protective surfacing, you ensure the reader is reminded of the foundational safety considerations.

Clothing and Footwear Safety

Children must wear secure shoes and avoid loose clothing, such as ponchos, scarves, or items with drawstrings. Sandals, flip-flops, and clogs are not allowed.

Strangulation Hazard

Children must not play with or attach ropes, clotheslines, pet leashes, cables, chains, or similar items to the playset. Use only equipment specifically designed for the playset to avoid strangulation risks.

Helmet Safety

Children must remove bike or sports helmets before using the playset to prevent potential safety hazards.

Never add extra length to chain or rope. The chains or ropes provided are the maximum length designed for the swinging element(s).

✓ DO

- Follow capacity limits as specified for the playset to avoid overloading and structural damage
- Ensure children wear closed-toe, well-fitting shoes for better protection while playing
- Teach children to sit in the center of swing seats and hold both sides of the chain to prevent falls
- Inspect the playset regularly for cracks, splinters, or loose hardware. Repair or replace as needed
- Ensure ropes, chains, and cables are securely fastened at both ends, preventing entanglement hazards
- Check plastic slides or surfaces for high temperatures on hot days and cool them if necessary to prevent burns
- Position slides to minimize sun exposure, reducing the risk of overheating

✗ DO NOT

- Do not allow children to wear open-toe or heel shoes such as sandals or flip-flops
- Do not allow children to walk in front of, behind, or near moving swings or rides
- Do not let children twist swing chains or ropes, as this weakens the materials and increases the risk of failure
- Do not allow children to get off swings while they are in motion
- Do not permit play on wet equipment as it increases the risk of slipping
- Do not allow rough play or unsafe actions like jumping from swings, climbing roofs, or misusing equipment
- Do not allow empty seats to swing freely, which can create hazards for others
- Do not allow children to go down slides headfirst or run up slides

Playground Surfacing Materials

THE FOLLOWING SAFETY GUIDELINES ARE BASED ON SECTION 4 OF THE CONSUMER PRODUCT SAFETY COMMISSION'S OUTDOOR HOME PLAYGROUND SAFETY HANDBOOK TO ENSURE COMPLIANCE AND REDUCE THE RISK OF SERIOUS INJURY.

Select Protective Surfacing

- One of the most critical steps in reducing the risk of serious head injuries is installing shock-absorbing surfacing under and around your playground equipment. The protective surface should meet **ASTM F1292** standards and be installed according to equipment height.
- **Do not** install playground equipment over concrete, asphalt, or other hard surfaces, as a fall can cause serious injury. Grass and dirt are not considered adequate protective surfaces because their shock absorption degrades over time.

Loose-Fill Materials

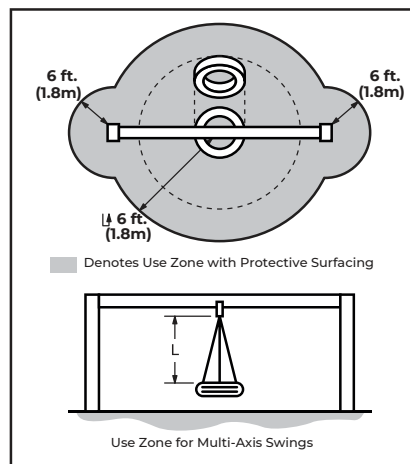
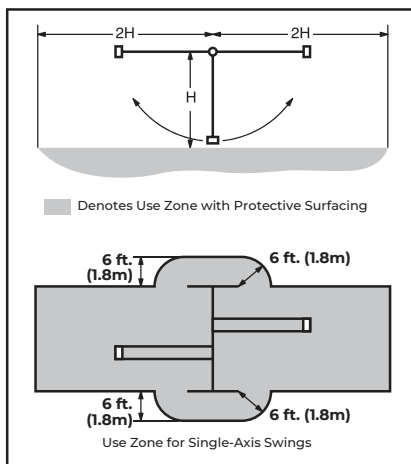
- Maintain at least **9 inches of wood mulch, engineered wood fiber (EWF), or shredded rubber** for equipment up to 8 feet high, or **9 inches of sand or pea gravel** for equipment up to 5 feet high. Begin with a fill level of 12 inches to allow for compression over time.
- For equipment less than 4 feet high, use a minimum of **6 inches of loose-fill** materials, but never less, as this can lead to compaction or displacement of the material.
- Containment methods like edging or digging out around the perimeter will help keep materials in place and manage water drainage. Regularly check and maintain the surface depth to ensure continuous safety.

Poured-In-Place Surfaces and Rubber Tiles

- For a professional-grade option, you may consider **poured-in-place rubber or rubber tiles**. These surfaces must be installed by professionals and must meet the **ASTM F1292** safety standard. Be sure to check the manufacturer's reports to verify the surface protects against falls from your equipment's height.
- Regularly inspect the surfacing for wear and tear to ensure ongoing protection.

Proper Placement

- Ensure that protective surfacing extends at least **6 feet in all directions** from the equipment.
- For swings, the surfacing should extend to a distance **twice the height of the swing's top bar**, both in front and behind the swings. For **tire swings**, the surfacing should form a circle with a radius equal to the swing's height, plus 6 feet, in all directions.



These safety guidelines are based on Section 4 of the Consumer Product Safety Commission's (CPSC) Outdoor Home Playground Safety Handbook. For more detailed information, please visit the CPSC website at www.cpsc.gov or contact their toll-free Consumer Hotline at 800-638-2772.

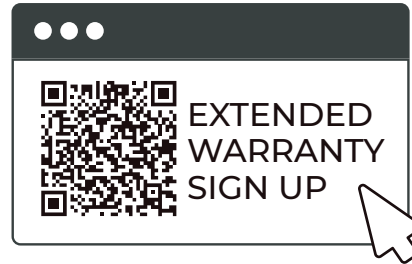
Limited Warranty

Thank you for choosing Teamson's product. To enjoy the benefits of our warranty, please complete your register on our website.

Visit Our Website

To register your purchase and activate your warranty, please visit:

teamson.com/pages/warranty-registration



Day count from date of purchase	Product Age	Customer Pays
Missing or damaged or defect parts	0~60 Days	\$0 for Part + Free Shipping
defects in material and workmanship	61 Days to 1 year	\$0 for Part + S&H fee
wood rot, decay, and insect damage	0 Days to 1 Year	\$0 for Part + S&H fee
	After 1 Year to 5 Year	pro-rated for Part + S&H fee
	Over 5 Years	100% for Part (if available) + S&H fee

THE MANUFACTURER RESERVES THE RIGHT TO MAKE SUBSTITUTIONS FOR WARRANTY CLAIMS IF PARTS ARE UNAVAILABLE OR DISCONTINUED.

This warranty is valid for the original owner and registrant only and cannot be transferred.

Regular maintenance is essential to preserve the product's integrity. Failure to perform maintenance as outlined in the product's requirements may result in the warranty becoming void.

Exclusions from this Limited Warranty:

- Natural characteristics of wood such as twisting, warping, checking, peeling, or any similar changes that do not impact the product's performance or integrity.
- Improper installation or failure to follow the Assembly Instructions, which will nullify the warranty.
- Labor costs for inspections or replacements of defective parts.
- Incidental or inconsequential damages.
- Cosmetic issues, including rusting, fading, minor cracks, or corrosion that do not affect functionality or structural integrity.
- Vandalism, misuse, or overloading beyond the stated capacities in the Assembly Manual.
- Damage caused by acts of nature, such as wind, storms, hail, floods, or excessive water exposure.
- Installation on unsuitable surfaces, including uneven, unlevel, or soft ground.

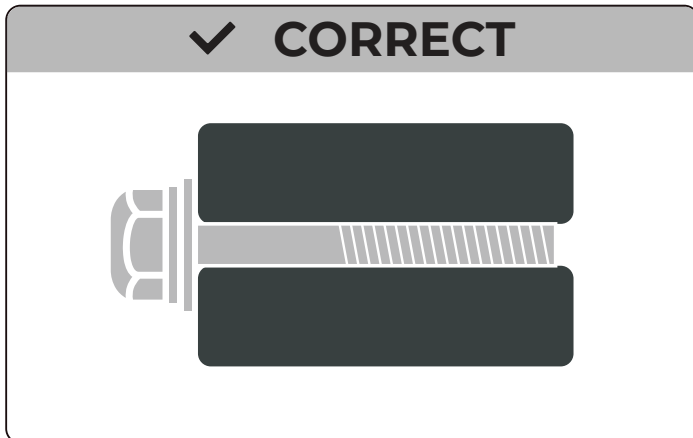
Attention:

- This product is warranted solely for residential use. Use in public settings, such as schools, churches, playgrounds, parks, or daycares, is strictly prohibited. Public use will void the warranty and may result in product failure and potential injury.
- Teamson products are engineered for safety and quality. Alterations to the original product may compromise its structural integrity, increasing the risk of failure and injury. Any modifications will void all warranties, and Teamson assumes no liability for modified products or resulting damages. Teamson disclaims any other representations or implied warranties.
- For the safety and longevity of your product, follow all provided guidelines and instructions carefully.
- Please retain these instructions and your receipt for future reference. Keep them in a safe place where they can be easily accessed as needed. To ensure the most efficient service, it is required to provide the part numbers when ordering replacement parts.

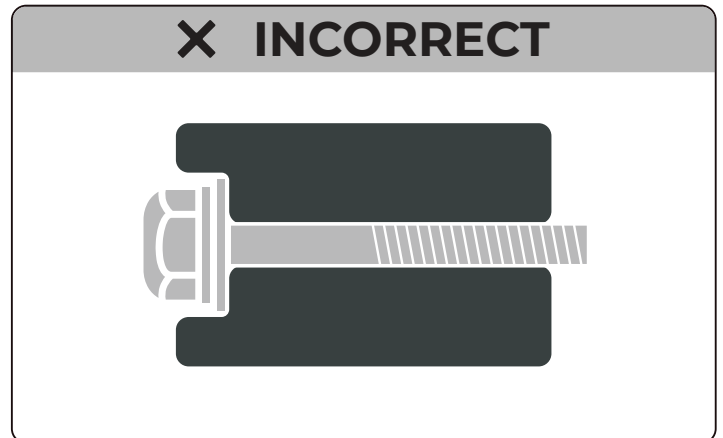
Assembly Tips

⚠ Protrusion Hazard

Ensure bolts do not protrude beyond the T-Nut as this can create a hazard. Refer to the image for proper assembly:



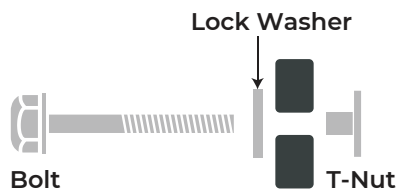
Bolt is flush with the T-Nut.



Bolt extends beyond the T-Nut, causing a potential hazard.

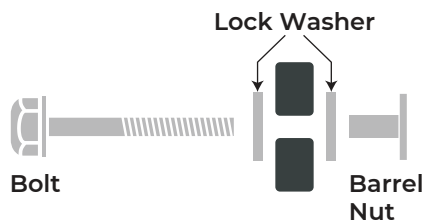
HARDWARE ASSEMBLY GUIDE

Bolt with T-Nut Assembly



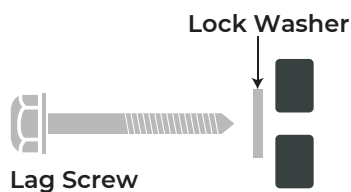
1. Insert the T-Nut into the designated hole.
2. Place a lock washer on the bolt, then insert the bolt into the hole opposite the T-Nut.
3. Turn the bolt clockwise to engage with the T-Nut. **Do not fully tighten the bolt yet;** complete tightening will be done later.

Bolt with Barrel Nut Assembly



1. Insert the barrel nut with a lock washer through the provided hole.
2. Place a second lock washer on the bolt, and insert it into the opposite side of the hole, threading it into the barrel nut.
3. Turn the bolt clockwise to secure it to the barrel nut. **Do not fully tighten the bolt yet;** final tightening will be done in later steps.

Lag Screw Assembly



1. If a pilot hole is provided, align the lag screw with it. If no pilot hole exists:
 - Position the two pieces of wood as they will be joined.
 - Use the factory-drilled hole as a guide to drill a new pilot hole into the adjoining wood.
2. Place a lock washer on the lag screw and insert it into the pilot hole.
3. Tighten the lag screw to secure the pieces, ensuring the wood does not split. **Note: Only a lock washer is required when using lag screws.**

Recommended Maintenance and Care Instructions

At the beginning of each play season:

1. Tighten all hardware.
2. Lubricate all metallic moving parts as instructed by the manufacturer.
3. Inspect and replace any loose, cracked, or missing protective coverings on bolts, pipes, edges, and corners.
4. Check swing seats, ropes, cables, and chains for wear, rust, or damage. Replace as needed.
5. Sand and repaint rusty metal parts with non-lead-based paint (16 CFR 1303 compliant).
6. Inspect wood for deterioration or splinters. Sand splinters and replace damaged wood.
7. Reinstall any plastic parts removed during the cold season.
8. Rake and check loose-fill protective surfacing for proper depth. Replenish if needed.

Twice a month during play season:

1. Tighten all hardware.
2. Inspect protective coverings on bolts, pipes, edges, and corners. Replace if loose, cracked, or missing.
3. Rake and check the depth of loose-fill protective surfacing to prevent compaction and maintain proper depth. Replenish if necessary.

Once a month during play season:

1. Lubricate all metallic moving parts according to the manufacturer's instructions.
2. Inspect all moving parts, including swing seats, ropes, cables, and chains, for wear, rust, or deterioration. Replace as needed.

At the end of each play season or when the temperature drops below 32°F/0°C:

1. Remove plastic swing seats and other specified items. Store them indoors or discontinue use.
2. Rake and check the depth of loose-fill protective surfacing to prevent compaction and maintain proper depth. Replenish if necessary.

Disposal Instructions

- **Safe Disassembly:** When the playground equipment is no longer safe for use, carefully disassemble it, removing all fasteners and sharp or protruding parts to prevent hazards.
- **Check Local Regulations:** Many areas have specific guidelines for disposing of large structures. Contact your local waste management authority for disposal or recycling options.
- **Environmentally Friendly Disposal:** Recycle metal and plastic components whenever possible. Wood parts may be recycled or repurposed if untreated, but follow local guidelines for safe disposal if they contain chemicals.
- **Hazard Prevention:** Ensure that dismantled parts are disposed of in a way that does not pose hazards to others, particularly sharp metal, splintered wood, or small parts that could be choking hazards.

Third-Party Assembly

- **Choosing a Third Party:** If you opt to hire a third party for assembly or repair, ensure they are reputable and follow the manufacturer's guidelines.
- **Responsibility Disclaimer:** The manufacturer is not responsible for any damage, injury, or loss caused by improper assembly or modifications made by a third party. Refer to the warranty for specific coverage details.
- **Installation of Ropes and Nets:** For safety, follow specific instructions regarding rope or net installation. This includes adhering to the minimum length, proper attachment points, and secure positioning.
- **Guidelines for Modifications:** If any modifications are needed, they should be done according to the manufacturer's specifications to maintain safety and compliance with warranty terms.

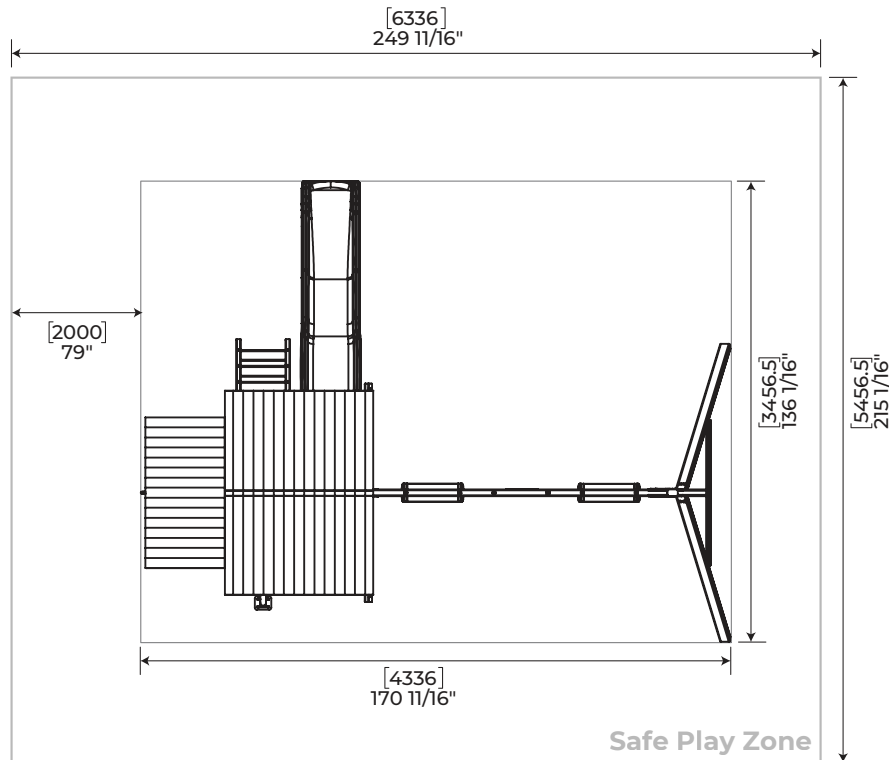
Safe Play Area and Usage Guidelines

Ground Dimension

170 11/16" [4336 mm] x 136 1/16" [3456.5 mm]

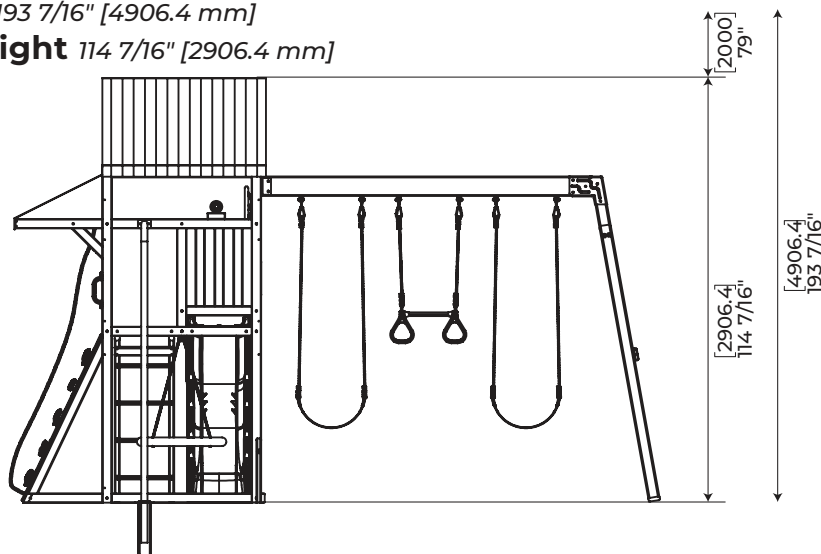
Safe Play Area

249 11/16" [6336 mm] x 215 1/16" [5456.5 mm] x 193 7/16" [4906.4 mm]



Safe Play Height 193 7/16" [4906.4 mm]

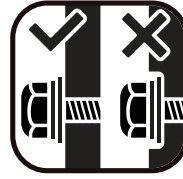
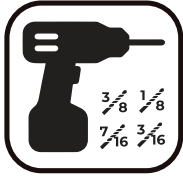
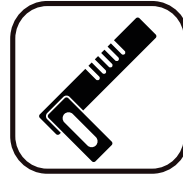
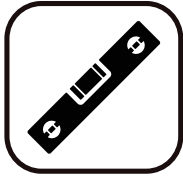
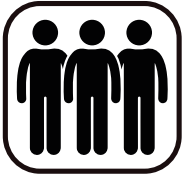
Maximum Fall Height 114 7/16" [2906.4 mm]



General Information:

- **Intended Use:** This playset is designed exclusively for children's residential use. It is not suitable for commercial or public playgrounds.
- **Weight Limits:**
 - Individual Play Activities: Maximum weight per child: 150 lbs (68 kg).
 - Group Play Activities: Maximum weight per child: 120 lbs (54 kg).
- **Capacity:** This playset is designed to accommodate up to 9 children simultaneously.
- **Safety Guidelines:**
 - **Supervision:** Always supervise children during play to ensure safe use of the equipment.
 - **Age Recommendations:** This playset is suitable for children aged 3 to 10 years.
 - **Installation Surface:** Install the playset on level ground with appropriate safety surfacing, such as mulch or rubber mats, to cushion falls.
 - **Regular Maintenance:** Conduct routine inspections to check for wear, damage, or loose components. Replace or repair parts as necessary to maintain safety standards.
 - **Proper Use:** Ensure children use the equipment as intended. For example, slides should be used feet-first, and swings should not be twisted or swung empty.
 - **Clothing:** Children should wear appropriate clothing—avoid loose garments, hoodies with drawstrings, or accessories that could get caught in the equipment.
 - **Weather Conditions:** Do not use the playset during adverse weather conditions, such as rain, snow, or high winds, to prevent accidents.

Required Tools



Assembly Helper Required

Some steps will require two or three people for safe and proper assembly. Ensure you have a helper available.



Ensure the Structure is Level

Use a level tool to verify that the structure is even and balanced before moving to the next step.



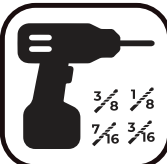
Check for Proper Alignment

Ensure your assembly is square and properly aligned before tightening the bolts.



Use an Open-End Wrench

This icon means you will need a 1/2" open-end wrench to tighten or adjust bolts.



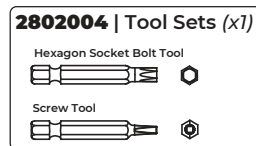
Pick the Right Drill Bit

This icon shows the size of the twist drill bit you need to pre-drill holes. Always match the drill bit size to the specific requirement of the assembly step to ensure proper fit and avoid damaging the materials.



Grab Your Electric Drill

This icon indicates the need for an electric drill to use with the drill bits in attached tool set.



Use the Right Socket

This icon means you will need a 1/2" socket to tighten or adjust bolts.



Do Not Over-Tighten Bolts

This icon warns against over-tightening bolts, as it can cause structural damage or split the wood.

Wood Parts (Not actual size)

0010 Main Frame Side- Left - 3290010

(x2) - 1 1/4" x 2 1/2" x 88"



0011 Fence Joint Bottom Side - 3290011

(x1) - 1 1/4" x 2 1/2" x 42"



0012 Swing Beam Joint - 3290012

(x1) - 1 1/4" x 5 1/4" x 42"



0013 Main Frame Front-Left - 3290013

(x2) - 1 1/4" x 2 1/2" x 88"



0014 Front Access Upright - 3290014

(x1) - 1 1/4" x 2 1/2" x 31 1/2"



0015 Fence Joint Bottom Back - 3290015

(x1) - 1 1/4" x 2 1/2" x 22 1/4"



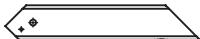
0016 Main-Roof Frame Joint - 3290016

(x4) - 1 1/4" x 1 7/8" x 6 1/4"



0017 Awning Oblique Support - 3290017

(x2) - 1 1/4" x 2 1/2" x 14 3/16"



0018 Platform Frame Front-Back - 3290018

(x2) - 1 1/4" x 2 1/2" x 42"



0019 Main Frame Front-Right - 3290019

(x1) - 1 1/4" x 2 1/2" x 88"



0020 Main Frame Back-Right - 3290020

(x1) - 1 1/4" x 2 1/2" x 88"



0021 Main Frame Back-Bottom - 3290021

(x1) - 1 1/4" x 2 1/2" x 63"



0022 Main Frame Side-Right - 3290022

(x2) - 1 1/4" x 2 1/2" x 88"



Wood Parts (Not actual size)

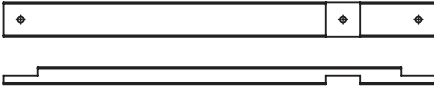
0023 Main Frame Front-Bottom - 3290023

(x1) - 1 1/4" x 2 1/2" x 63"



0024 Platform Access Back Upright - 3290024

(x1) - 1 1/4" x 2 1/2" x 31 1/2"



0025 Side Top - 3290025

(x1) - 1 1/4" x 2 1/2" x 42"



0026 Climb Board A - 3290026

(x5) - 5/8" x 4 1/2" x 41 15/16"



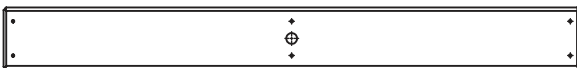
0027 Climb Board C - 3290027

(x2) - 5/8" x 4 1/2" x 41 15/16"



0028 Rope Board - 3290028

(x1) - 5/8" x 4 1/2" x 41 15/16"



0029 Floor Board B - 3290029

(x1) - 5/8" x 3" x 41 15/16"



0030 Platform Frame Side - 3290030

(x2) - 1 1/4" x 2 1/2" x 42"



0031 Roof Frame Side - 3290031

(x2) - 5/8" x 2 1/2" x 60"



0032 Main Frame Front-Top - 3290032

(x1) - 1 1/4" x 2 1/2" x 65 1/8"



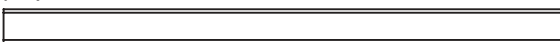
0033 Main Frame Back-Top - 3290033

(x1) - 1 1/4" x 2 1/2" x 65 1/8"



0034 Roof Frame Front-Back - 3290034

(x2) - 15/16" x 2 1/2" x 40 3/4"



Wood Parts (Not actual size)

0035 Ladder Baffle - 3290035

(x1) - 5/8" x 2 1/2" x 15 3/4"



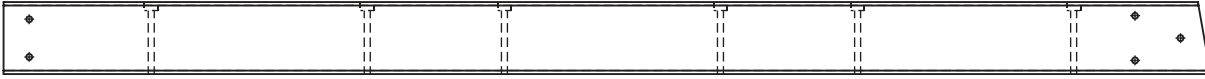
0036 Main Frame Left-Bottom - 3290036

(x1) - 15/16" x 2 1/2" x 64 9/16"



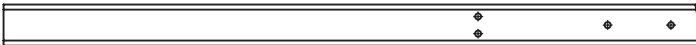
0037 SW Beam - 3290037

(x1) - 2" x 5 1/4" x 88"



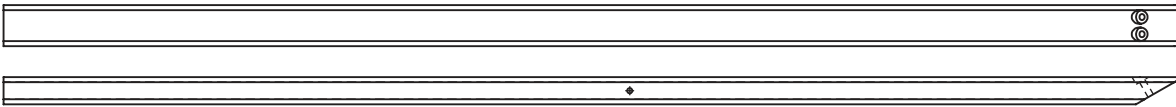
0038 SW Support Cross - 3290038

(x1) - 2" x 3" x 50 15/16"



0039 SW Support - 3290039

(x2) - 2" x 3" x 86"



0040 SW Support Joint - 3290040

(x1) - 1" x 3 1/4" x 42 15/16"



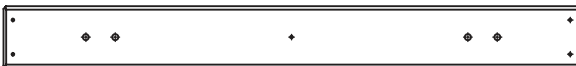
0041 Climb Side - 3290041

(x2) - 1 3/8" x 2 1/2" x 49 5/8"



0042 Climb Board B - 3290042

(x3) - 5/8" x 4 1/2" x 41 15/16"



0043 Floor Joist - 3290043

(x1) - 1 1/4" x 3" x 39 3/8"



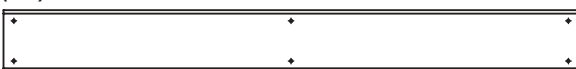
0044 Side Joist - 3290044

(x2) - 1 1/2" x 1 1/2" x 39 3/8"



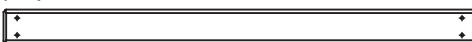
0045 Side Joist - 3290045

(x8) - 5/8" x 4 1/2" x 41 15/16"



0046 Fence Panel Side A - 3300046

(x6) - 5/8" x 2 1/2" x 34 7/16"



Wood Parts (Not actual size)

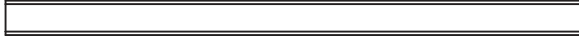
0047 Fence Panel Back - 3300047

(x3) - 5/8" x 2 1/2" x 26"



0048 Awning Cross - 3290048

(x1) - 15/16" x 2 1/2" x 42"



0049 Roof Support Upright - 3290049

(x2) - 1 1/2" x 1 1/2" x 25"



0050 Ladder Right - 3290050

(x1) - 1 3/8" x 2 1/2" x 52 13/16"



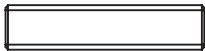
0051 Ladder Left - 3290051

(x1) - 1 3/8" x 2 1/2" x 52 13/16"



0052 Tread - 3290052

(x4) - 15/16" x 3 1/4" x 14 1/2"



0053 Roof Support Across - 3290053

(x1) - 1 1/2" x 1 1/2" x 40 3/4"



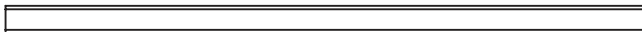
0054 Main Frame Oblique Support - 3290054

(x1) - 1 1/2" x 1 1/2" x 40 3/4"



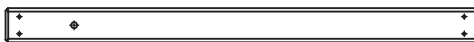
0055 Diagonal Braces - 3290055

(x1) - 1" x 2" x 46 5/8"



0056 Fence Panel Side - 3300056

(x1) - 5/8" x 2 1/2" x 34 7/16"



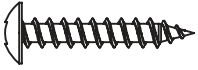
0057 Main Frame Baffle - 3290057

(x1) - 5/8" x 2 1/2" x 42"



Hardware (Actual Size)

S0 Truss Head Screw
(x8) - #8 x 7/8"



S2 Wood Screw
(x11) - #8 x 1 1/2"



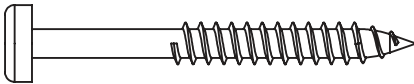
S3 Wood Screw
(x18) - #8 x 2-1/2"



S4 Wood Screw
(x4) - #8 x 3"



S7 Pan Screw
(x47) - #12 x 2"



S11 Wood Screw
(x56) - #8 x 2"



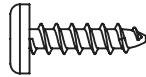
S15 Wood Screw
(x2) - #8 x 1-3/4"



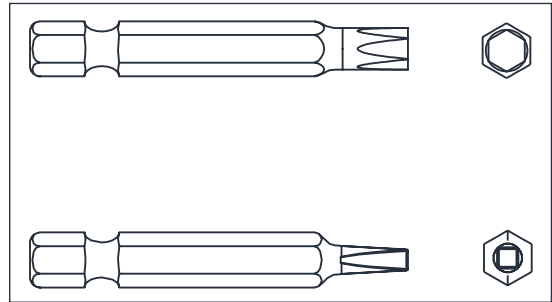
S20 Wood Screw
(x98) - #8 x 1-3/8"



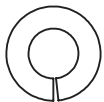
S37 Pan Screw
(x20) - #7 x 5/8"



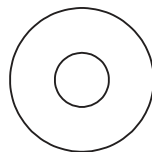
2802004
Tool Sets(x1)



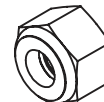
LW1 Washer Lock
(x24) - 1/4"



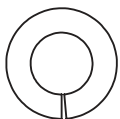
FW1 Washer Flat
(x26) - 1/4"



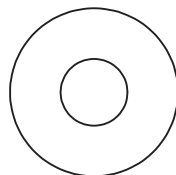
LN1 Lock-Nut
(x1) - 1/4"



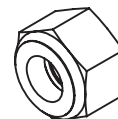
LW2 Washer Lock
(x39) - 5/16"



FW2 Washer Flat
(x110) - 5/16"



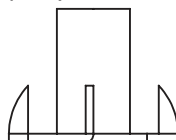
LN2 Lock-Nut
(x31) - 5/16"



TN1 Tee-Nut
(x16) - 1/4"



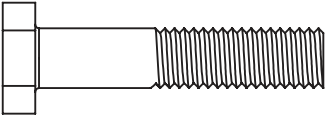
TN2 Tee-Nut
(x42) - 5/16"



Hardware (Actual Size)

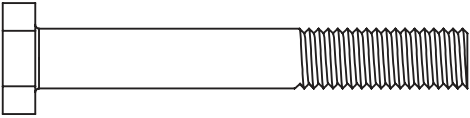
G1 Hex Bolt

(x2) - 5/16" x 1-1/2"



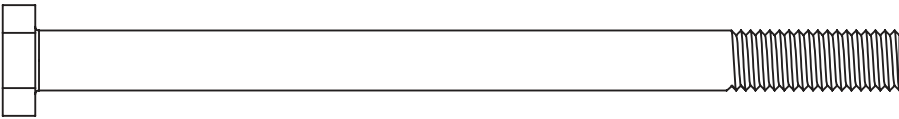
G3 Hex Bolt

(x2) - 5/16" x 2-1/4"



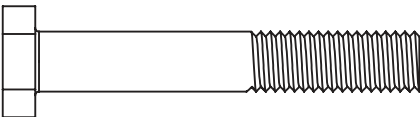
G5 Hex Bolt

(x3) - 5/16" x 4-1/2"



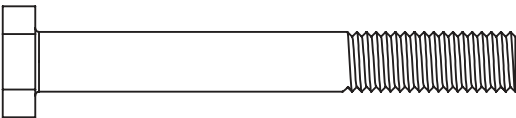
G8 Hex Bolt

(x2) - 5/16" x 2"



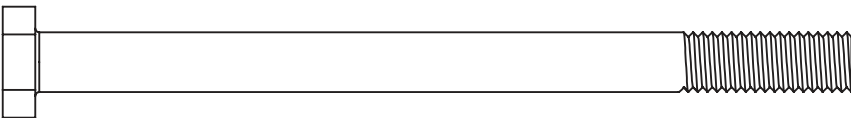
G9 Hex Bolt

(x6) - 5/16" x 2-1/2"



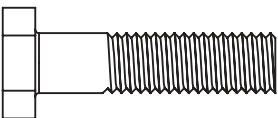
G12 Hex Bolt

(x2) - 5/16" x 4-1/4"



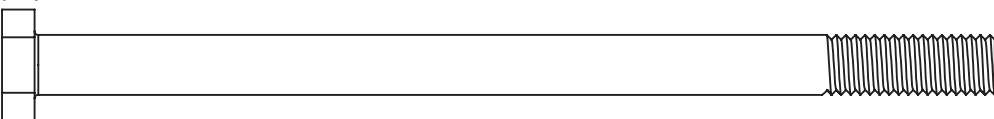
G14 Hex Bolt

(x28) - 5/16" x 1-1/4"



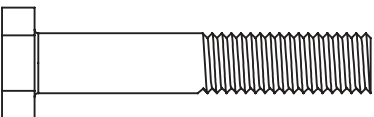
G22 Hex Bolt

(x2) - 5/16" x 5"



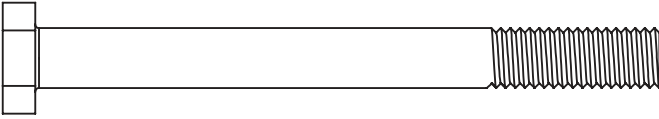
G27 Hex Bolt

(x5) - 5/16" x 1-3/4"

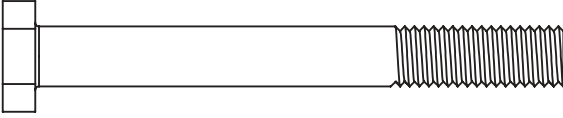


Hardware (Actual Size)

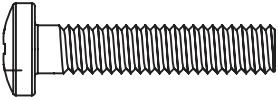
G35 Hex Bolt
(x8) - 5/16" x 3-1/4"



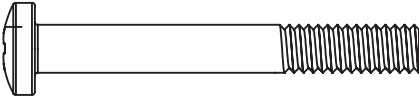
G36 Hex Bolt
(x13) - 5/16" x 2-3/4"



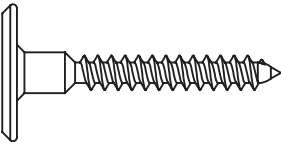
PB2 Pan Bolt
(x16) - 1/4" x 1-1/4"



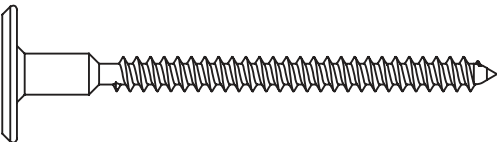
PB5 Pan Bolt
(x1) - 1/4" x 2"



WL3 Wafer Head Lag Screw
(x8) - 1/4" x 1-3/8"



WL5 Wafer Head Lag Screw
(x26) - 1/4" x 2-1/2"



Accessory Parts (Not actual size)

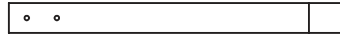
2000002

Teamson Playset Plaque (x1)



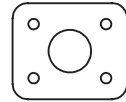
2004016

Wooden Grounding Pile (x6)



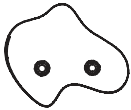
2030026

Poles Flat Bracket (x1)



2130022

Rock A (x4)



2110023

Rock B (x4)



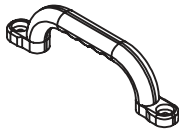
2030018

Firemans Top Weilding Pole (x1)



2110012

Hand Grip (x4)



2002021

Quick-Link (x8)



2030005

L-Beam Bracket (x2)



2001006

Sheeps eye Swing Hanger (x6)



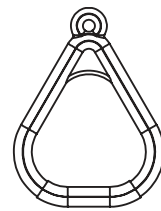
2000003

Playset ID Plaque (x1)



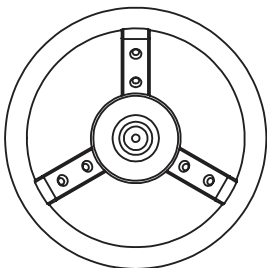
2110027

Plastic Handle (x2)



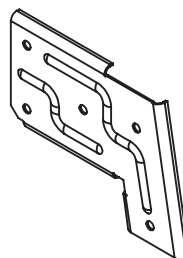
2110014

Steering Wheel (x1)



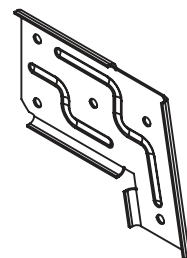
2030028

Beam Bracket L (x1)



2030029

Beam Bracket R (x1)



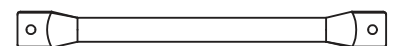
2160025

Acro Rope (x2)



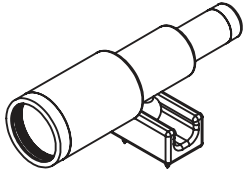
2010020

MK Bar (x1)

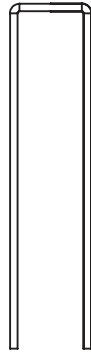


Accessory Parts (Not actual size)

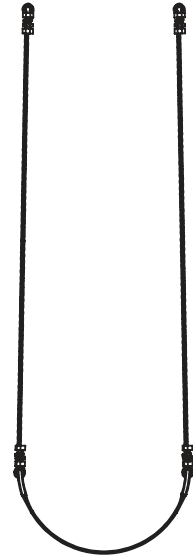
2106015
Telescope Parasolid (x1)



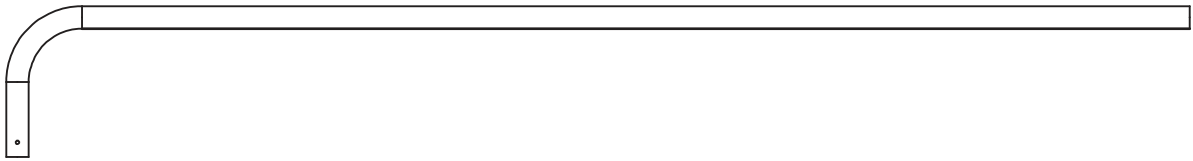
2002019
Firemans Pole Ground Stake (x2)



2130016
Swing-Rope 49 5/8" (x2)



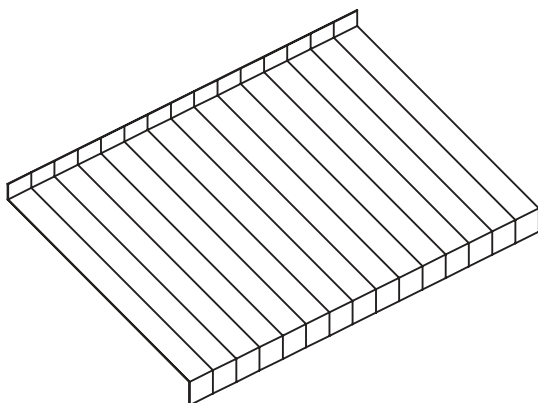
2030017
Frieamans Main (x1)



2160028
Rope-Crimp(x1)



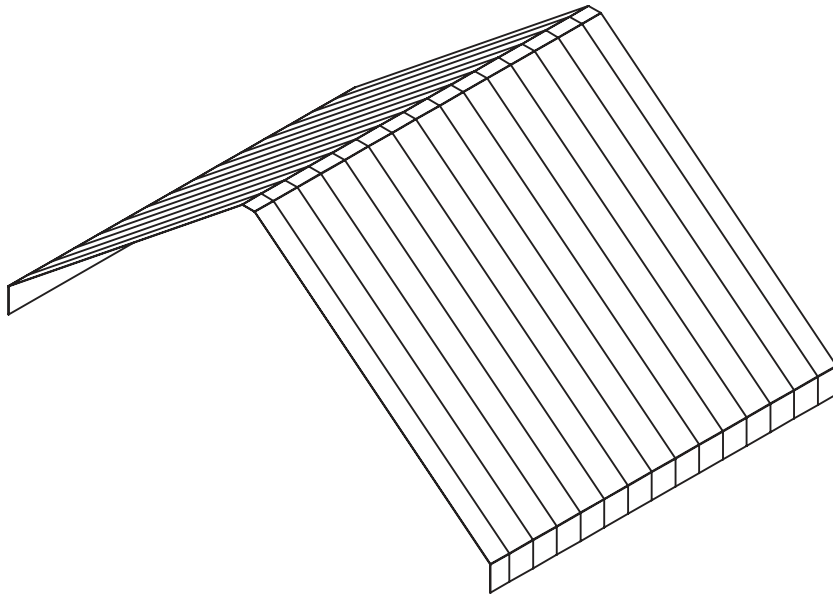
2230002
Fabric Roof B (x1)



Accessory Parts (Not actual size)

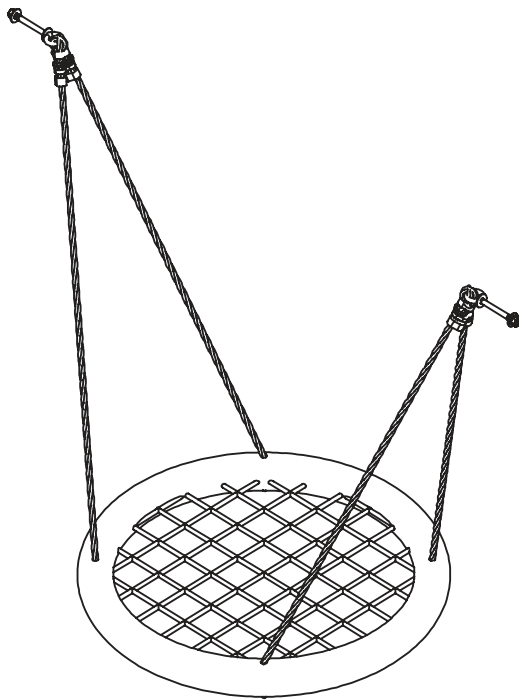
2230001

Fabric Roof A (x1)



2130024

Mesh Swing (x1)



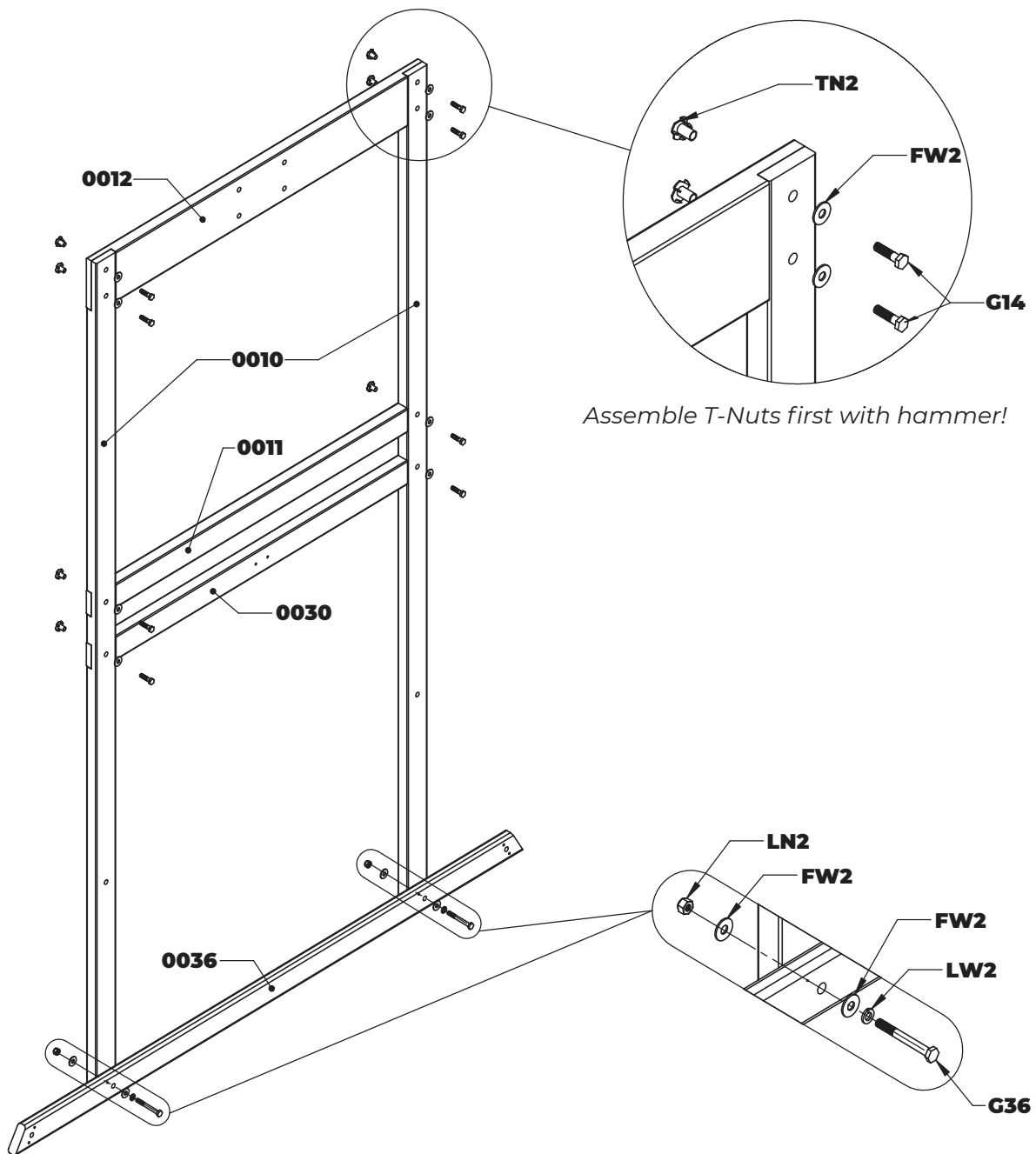
2130021

48in High Rail Slide (x1)



Step 1

Wood Parts	Hardware	
0010 Main Frame Side- Left (x2) - 1 1/4" x 2 1/2" x 88"	G14 Hex Bolt (x8) - 5/16" x 1-1/4"	TN2 Tee-Nut (x8) - 5/16"
0011 Fence Joint Bottom Side (x1) - 1 1/4" x 2 1/2" x 42"	G36 Hex Bolt (x2) - 5/16" x 2-3/4"	
0012 Swing Beam Joint (x1) - 1 1/4" x 5 1/4" x 42"	FW2 Washer Flat (x12) - 5/16"	
0030 Platform Frame Side (x1) - 1 1/4" x 2 1/2" x 42"	LW2 Washer Lock (x2) - 5/16"	
0036 Main Frame Left-Bottom (x1) - 15/16" x 2 1/2" x 64 9/16"	LN2 Lock-Nut (x2) - 5/16"	



Step 2

Wood Parts

0013 Main Frame Front-Left
(x1) - 1 1/4" x 2 1/2" x 88"

0015 Fence Joint Bottom Back
(x1) - 1 1/4" x 2 1/2" x 22 1/4"

0018 Platform Frame Front-Back
(x1) - 1 1/4" x 2 1/2" x 42"

0020 Main Frame Back-Right
(x1) - 1 1/4" x 2 1/2" x 88"

0021 Main Frame Back-Bottom
(x1) - 1 1/4" x 2 1/2" x 63"

0024 Platform Access Back Upright
(x1) - 1 1/4" x 2 1/2" x 31 1/2"

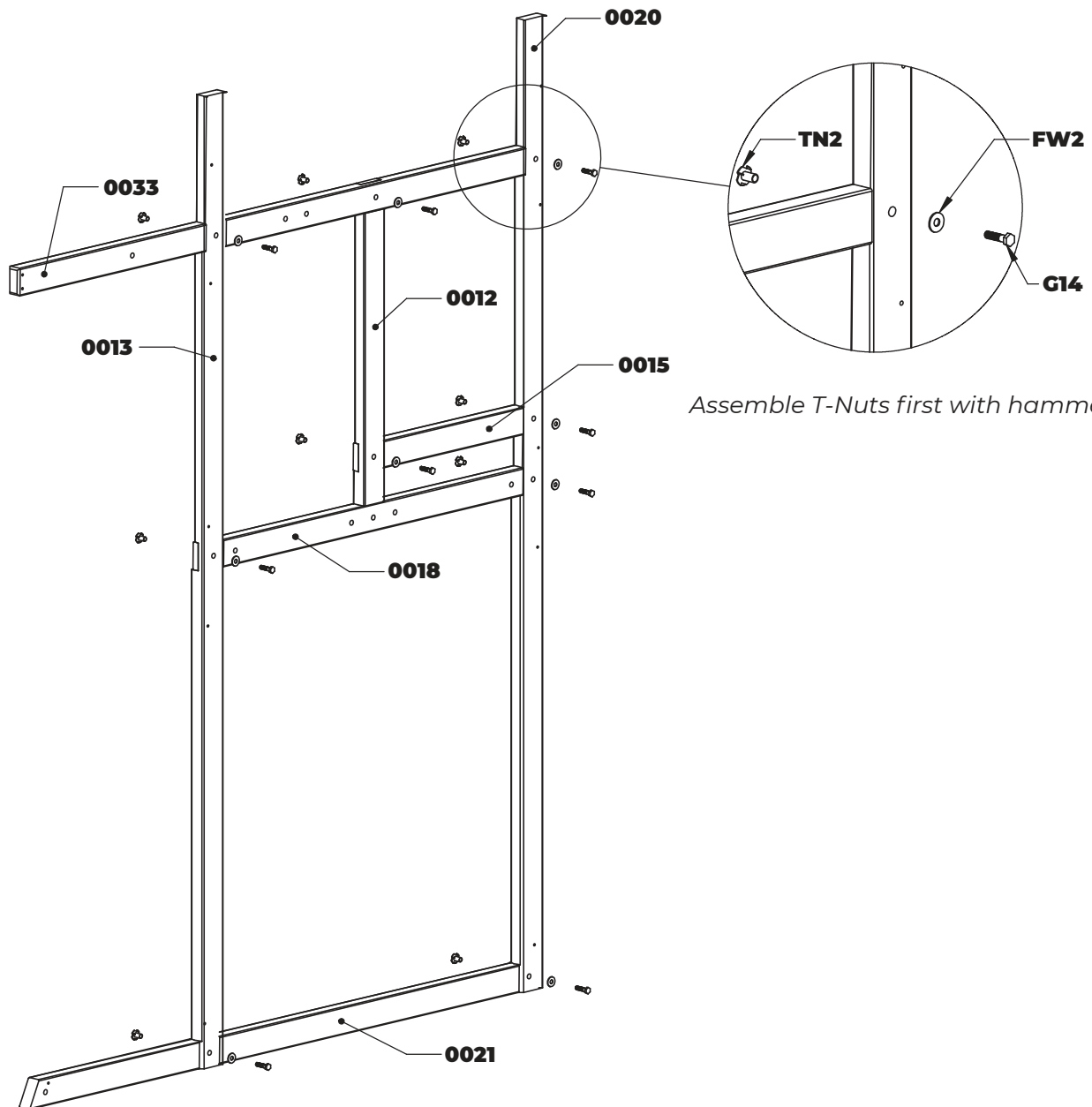
0033 Main Frame Back-Top
(x1) - 1 1/4" x 2 1/2" x 65 1/8"

Hardware

G14 Hex Bolt
(x9) - 5/16" x 1-1/4"

FW2 Washer Flat
(x9) - 5/16"

TN2 Tee-Nut
(x9) - 5/16"



Assemble T-Nuts first with hammer!

Step 3

Wood Parts

0013 Main Frame Front-Left
(x1) - 1 1/4" x 2 1/2" x 88"

0014 Front Access Upright
(x1) - 1 1/4" x 2 1/2" x 31 1/2"

0018 Platform Frame Front-Back
(x1) - 1 1/4" x 2 1/2" x 42"

0019 Main Frame Front-Right
(x1) - 1 1/4" x 2 1/2" x 88"

0023 Main Frame Front-Bottom
(x1) - 1 1/4" x 2 1/2" x 63"

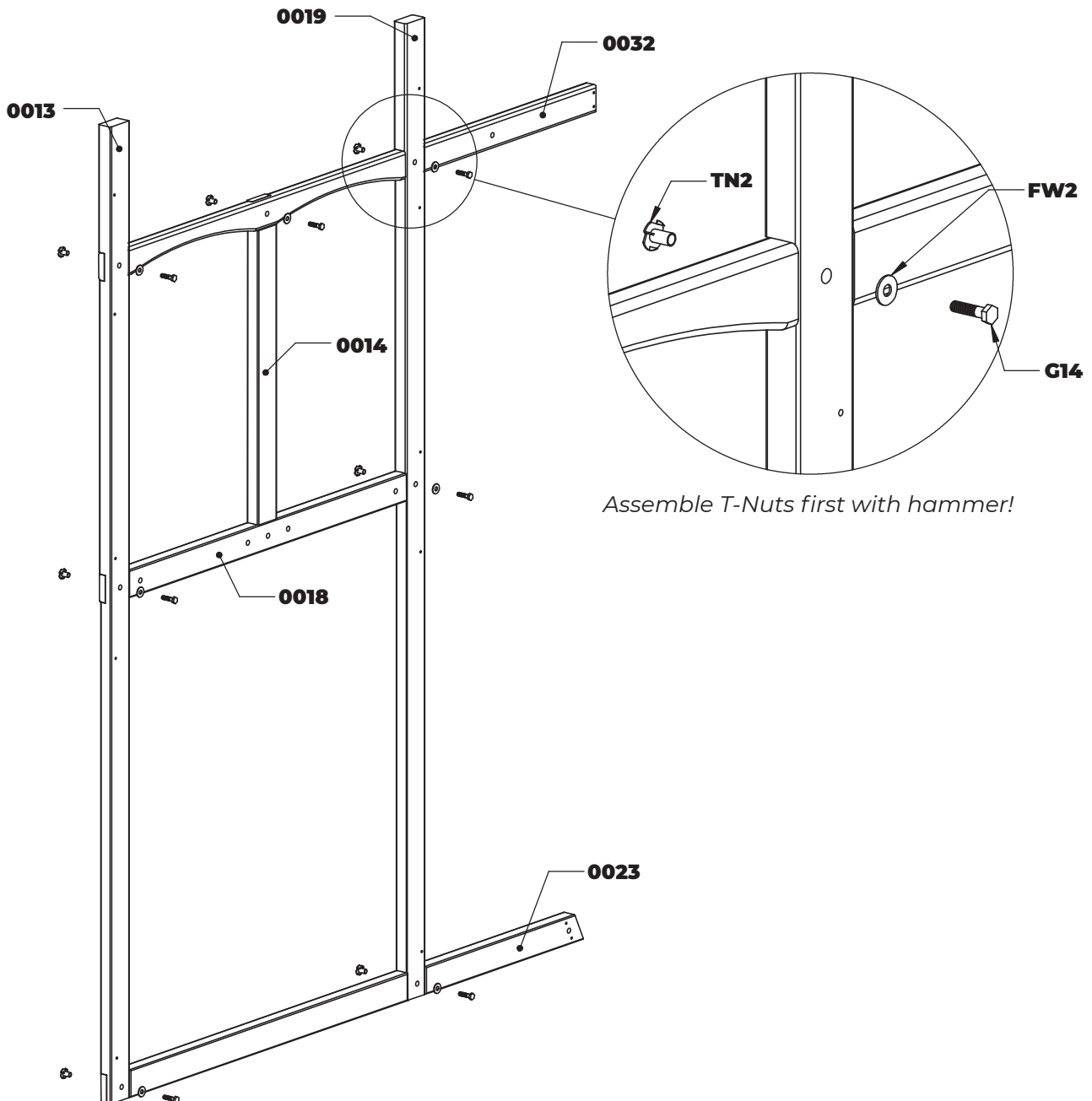
0032 Main Frame Front-Top
(x1) - 1 1/4" x 2 1/2" x 65 1/8"

Hardware

G14 Hex Bolt
(x7) - 5/16" x 1-1/4"

FW2 Washer Flat
(x7) - 5/16"

TN2 Tee-Nut
(x7) - 5/16"



Step 4

Wood Parts

0022 Main Frame Side-Right
(x2) - 1 1/4" x 2 1/2" x 88"

0025 Side Top
(x1) - 1 1/4" x 2 1/2" x 42"

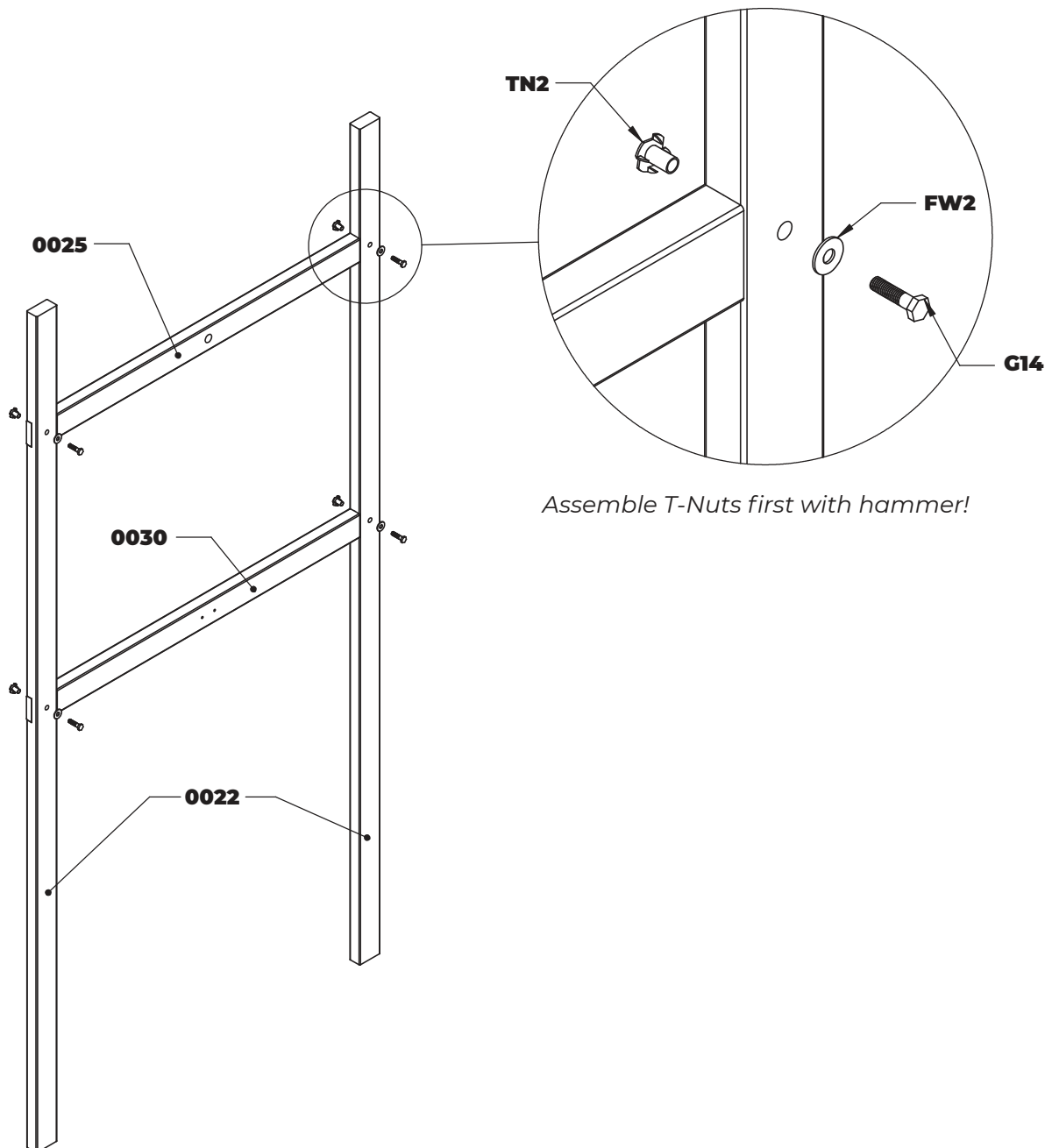
0030 Platform Frame Side
(x1) - 1 1/4" x 2 1/2" x 42"

Hardware

G14 Hex Bolt
(x4) - 5/16" x 1-1/4"

FW2 Washer Flat
(x4) - 5/16"

TN2 Tee-Nut
(x4) - 5/16"



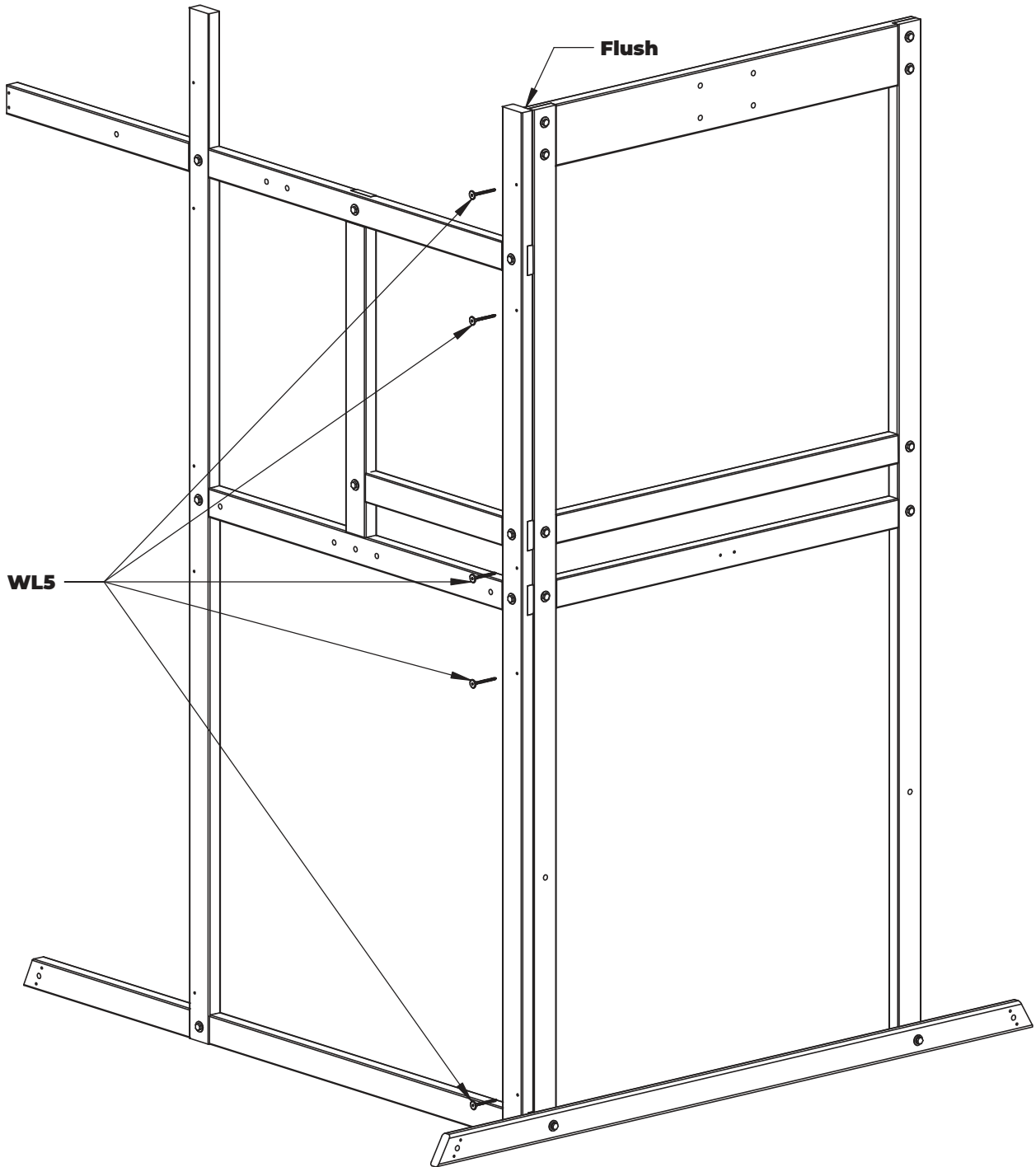
Step 5

Hardware

WL5 Wafer Head Lag Screw
(x5) - 1/4" x 2-1/2"



Pre-drill each hole using a 3/16" drill bit.



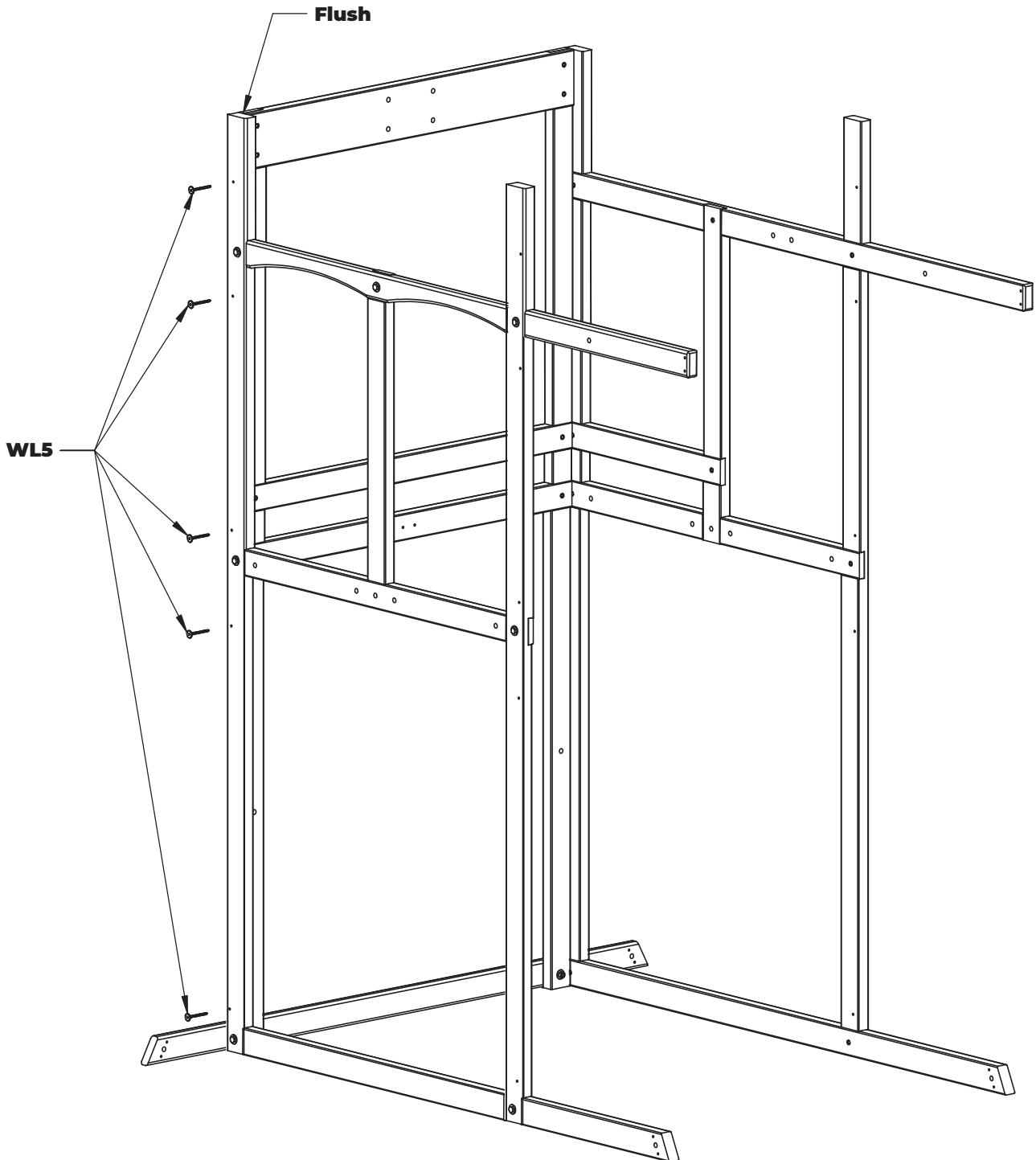
Step 6

Hardware

WL5 Wafer Head Lag Screw
(x5) - 1/4" x 2-1/2"



Pre-drill each hole using a 3/16" drill bit.



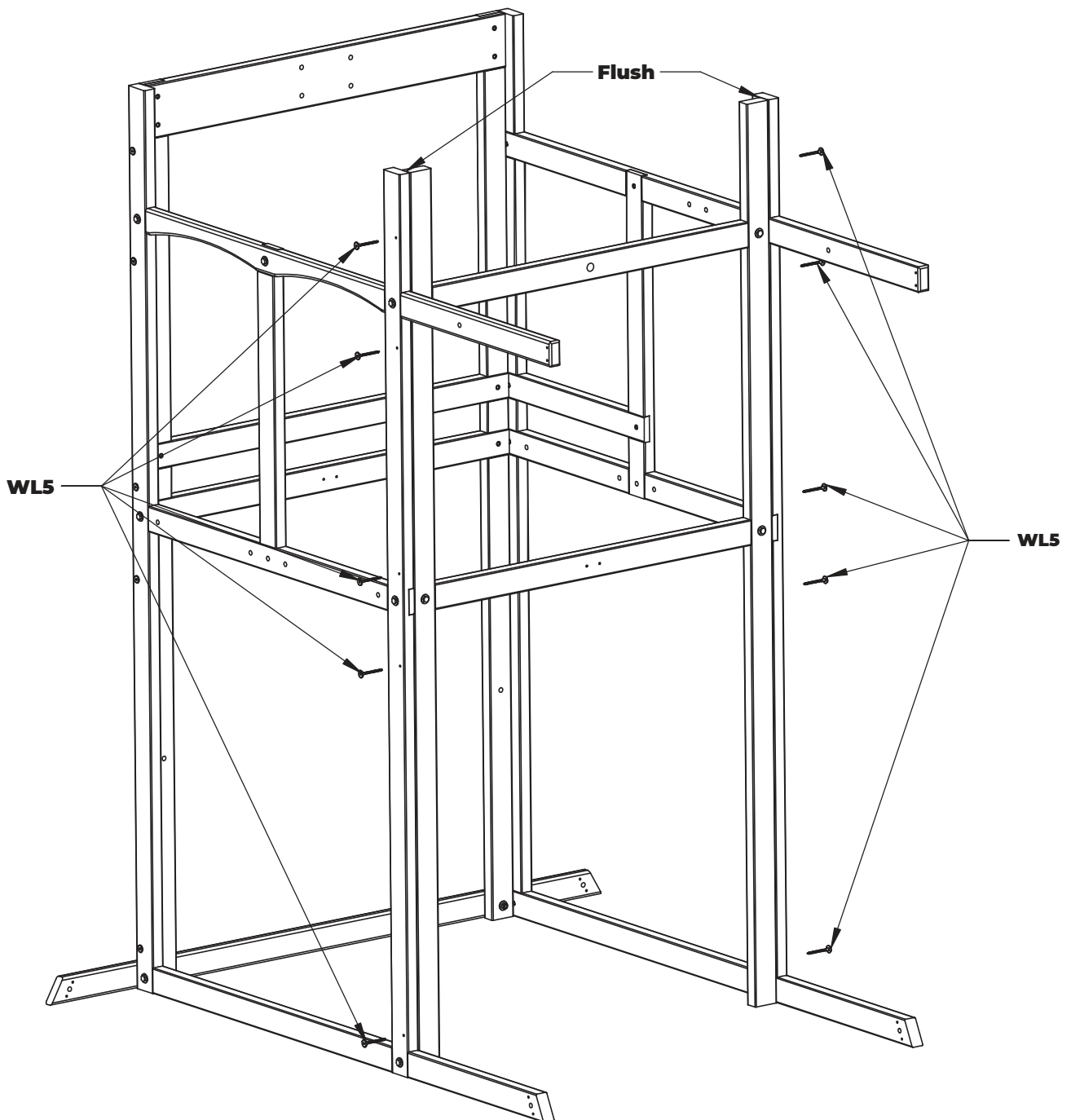
Step 7

Hardware

WL5 Wafer Head Lag Screw
(x10) - 1/4" x 2-1/2"

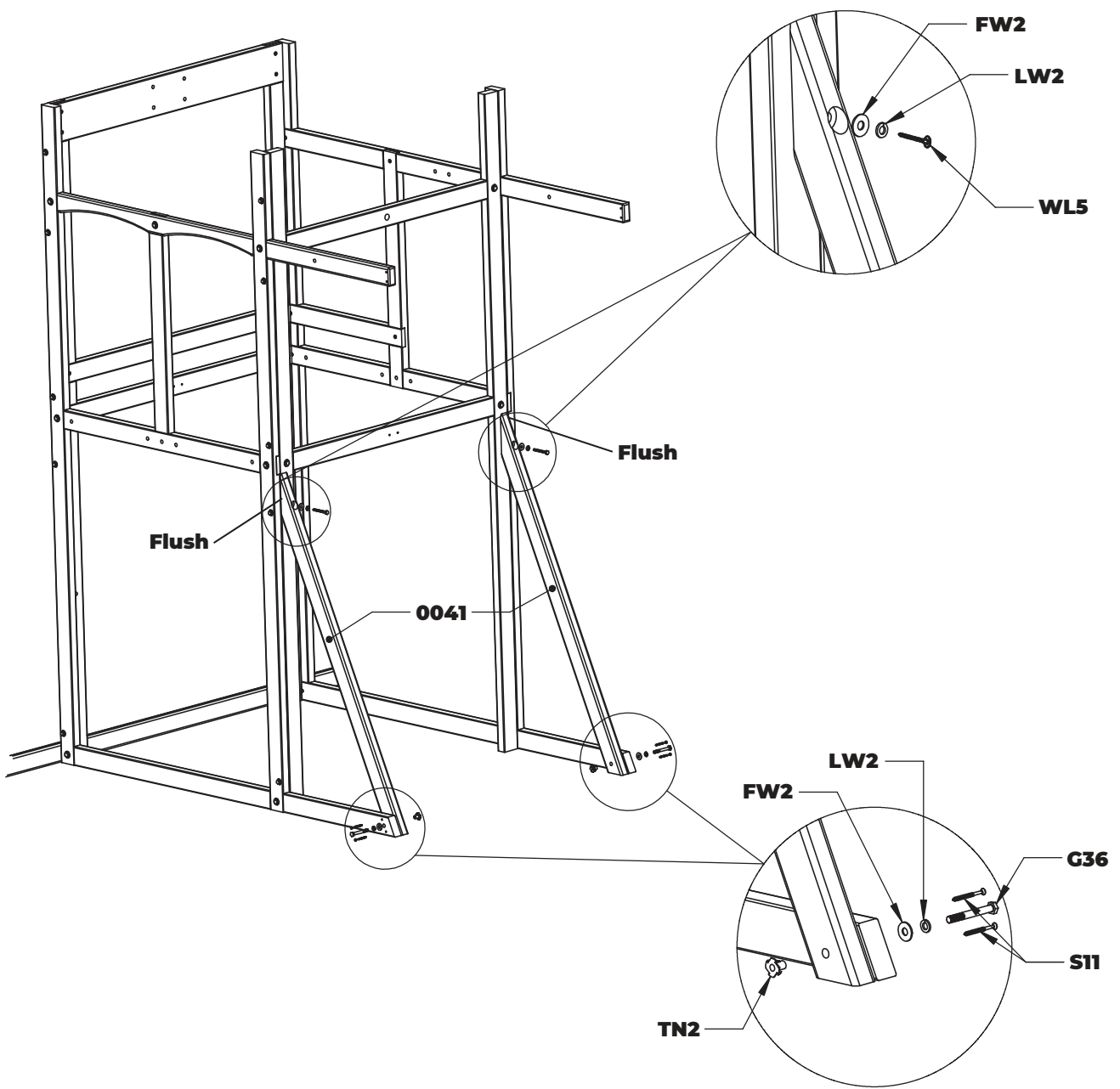


Pre-drill each hole using a 3/16" drill bit.



Step 8

Wood Parts	Hardware	
0041 Climb SideV (x2) - 1 3/8" x 2 1/2" x 49 5/8"	S11 Wood Screw (x4) - #8 x 2"	FW2 Washer Flat (x4) - 5/16"
	G36 Hex Bolt (x2) - 5/16" x 2-3/4"	LW2 Washer Lock (x4) - 5/16"
	WL5 Wafer Head Lag Screw (x2) - 1/4" x 2-1/2"	TN2 Tee-Nut (x2) - 5/16"



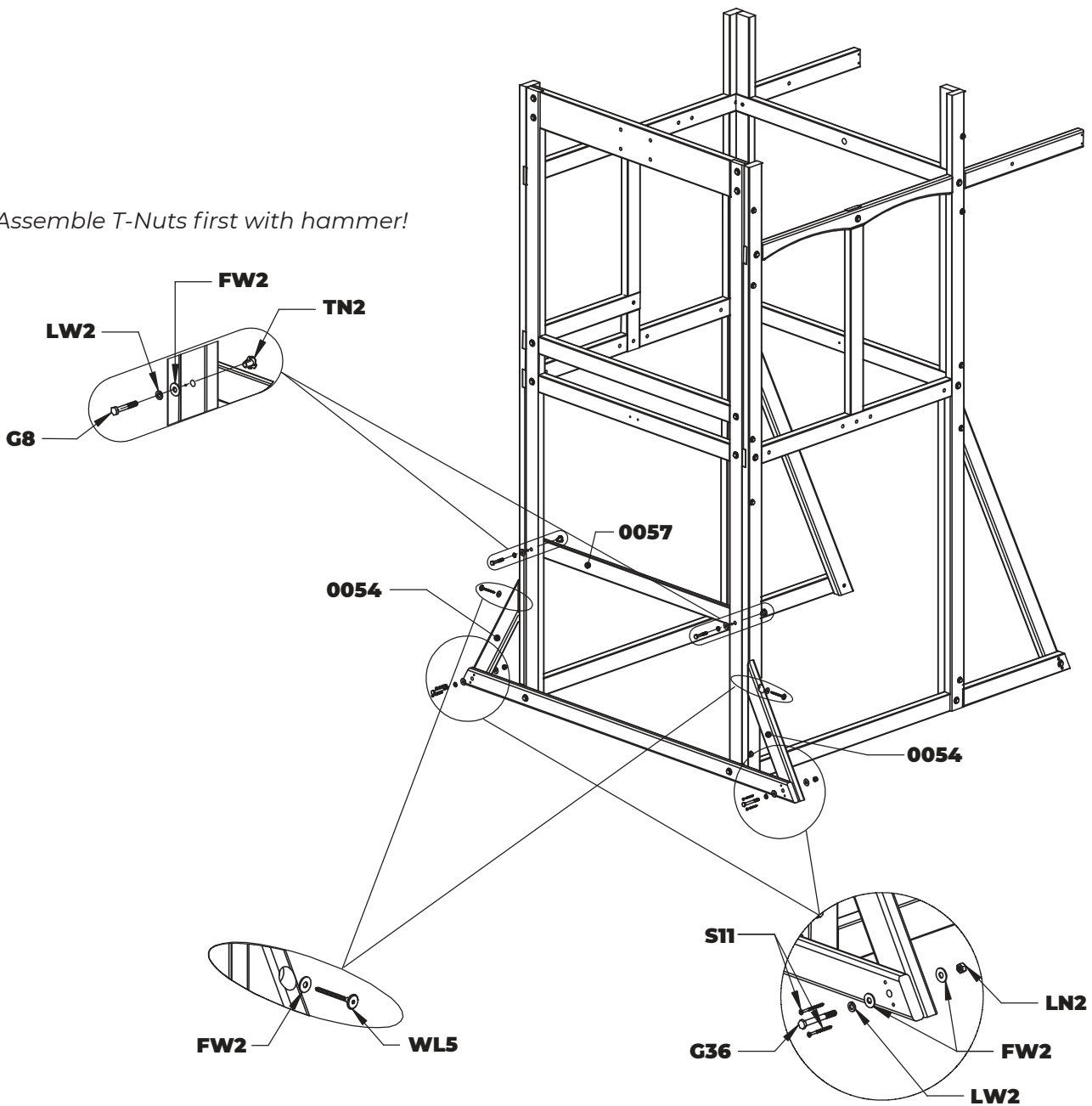
Assemble T-Nuts first with hammer!

Step 9

Wood Parts	Hardware	
0054 Main Frame Oblique Support (x2) - 11/2" x 11/2" x 40 3/4"	S11 Wood Screw (x4) - #8 x 2"	FW2 Washer Flat (x8) - 5/16"
0057 Main Frame Baffle (x1) - 5/8" x 2 1/2" x 42"	WL5 Wafer Head Lag Screw (x2) - 1/4" x 2-1/2"	LW2 Washer Lock (x4) - 5/16"
	G8 Hex Bolt (x2) - 5/16" x 2"	LN2 Lock-Nut (x2) - 5/16"
	G36 Hex Bolt (x2) - 5/16" x 2-3/4"	TN2 Tee-Nut (x2) - 5/16"



Assemble T-Nuts first with hammer!



Step 10

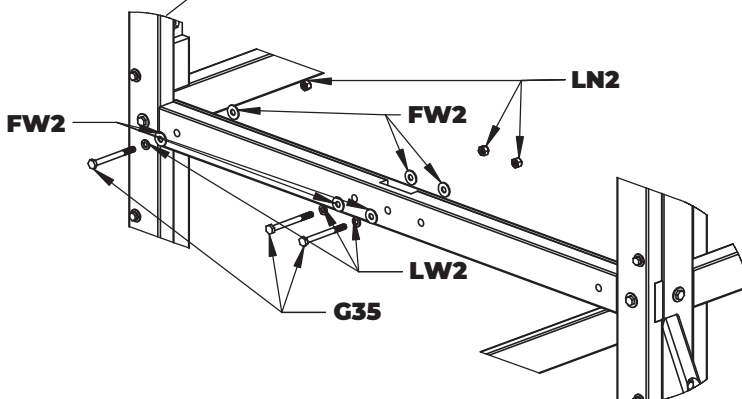
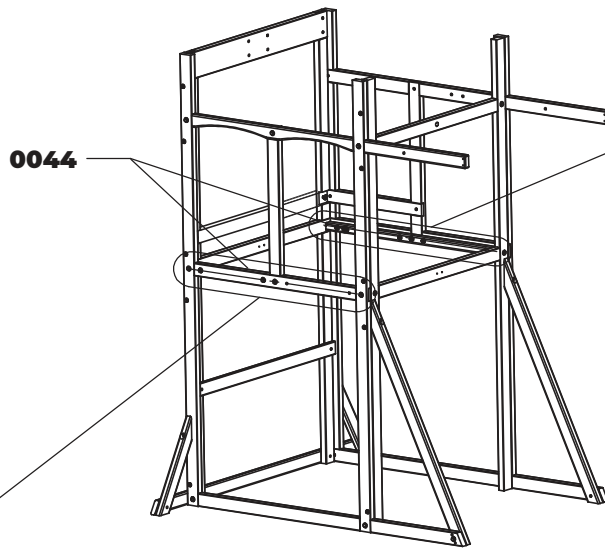
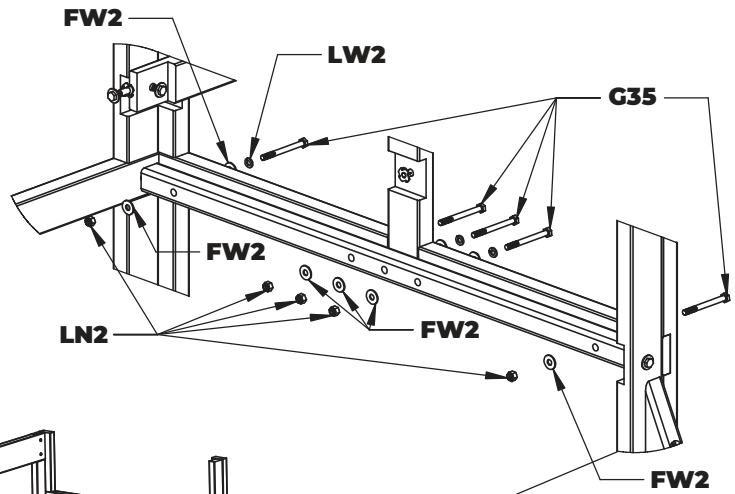
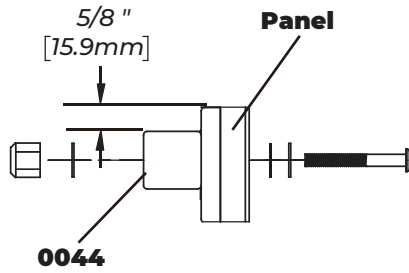
Wood Parts

0044 Side Joist
(x2) - 11/2" x 11/2" x 39 3/8"

Hardware

G35 Hex Bolt
(x8) - 5/16" x 3-1/4"
FW2 Washer Flat
(x16) - 5/16"

LW2 Washer Lock
(x8) - 5/16"
LN2 Lock-Nut
(x8) - 5/16"



Step 11

Wood Parts

0035 Ladder Baffle
(x1) - 5/8" x 2 1/2" x 15 3/4"

0050 Ladder Right
(x1) - 1 3/8" x 2 1/2" x 52 13/16"

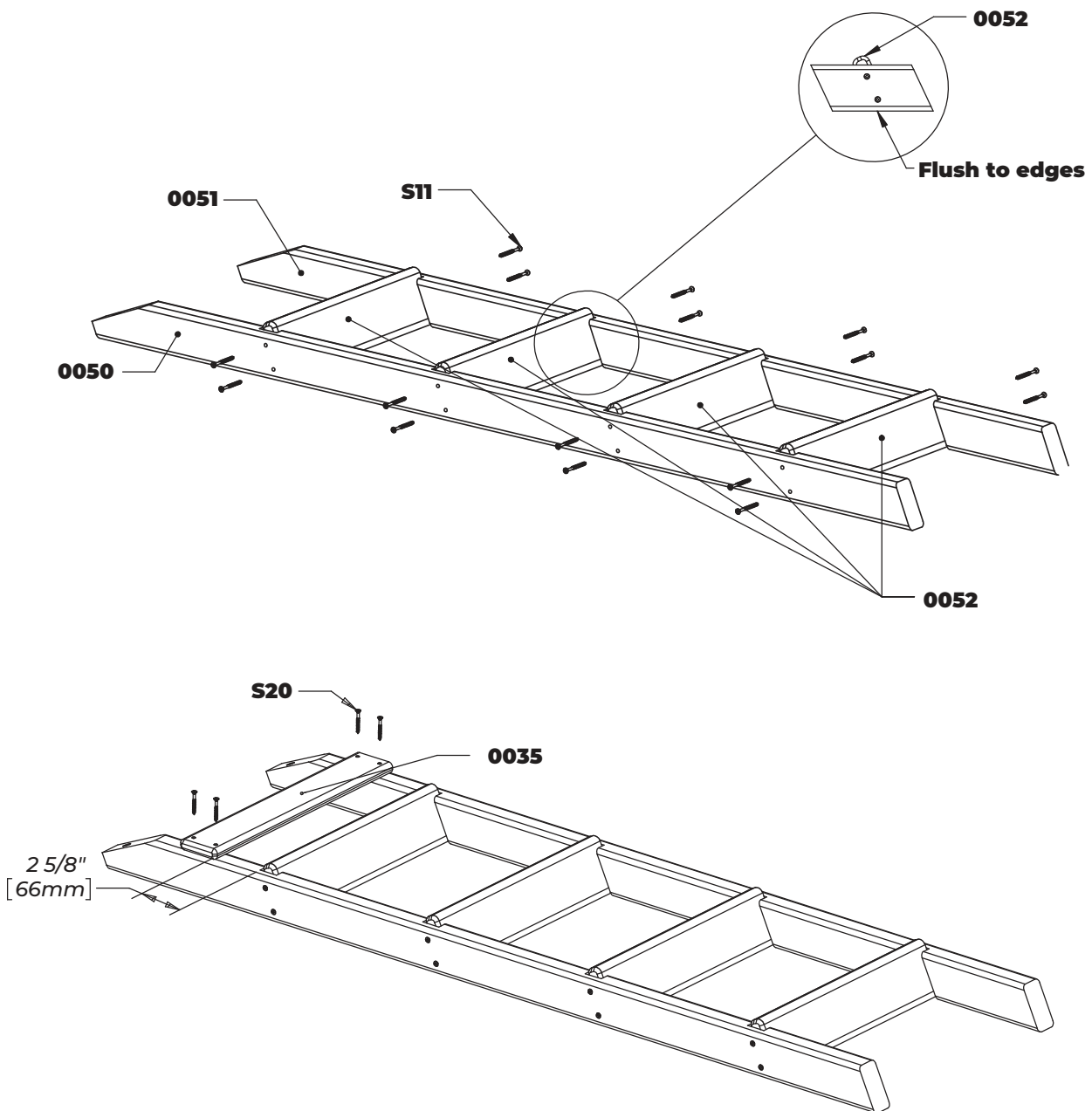
0051 Ladder Left
(x1) - 1 3/8" x 2 1/2" x 52 13/16"

0052 Tread
(x4) - 15/16" x 3 1/4" x 14 1/2"

Hardware

S11 Wood Screw
(x16) - #8 x 2"

S20 Wood Screw
(x4) - #8 x 1-3/8"



Step 12

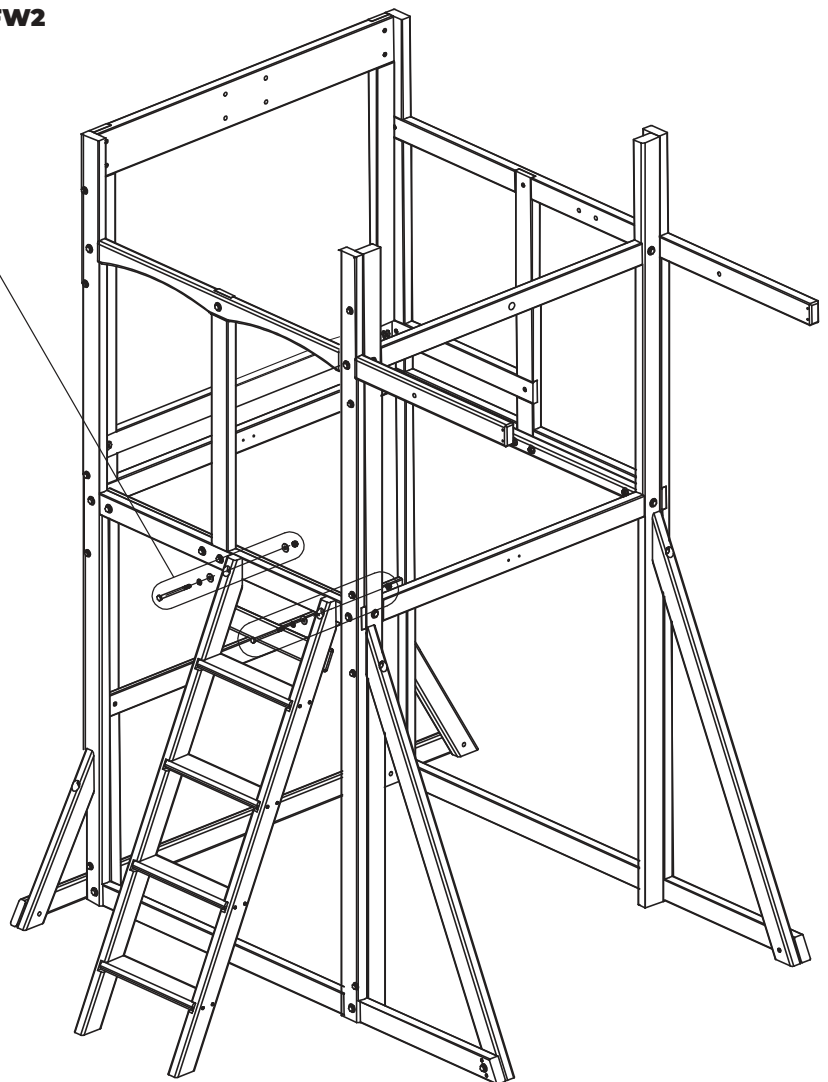
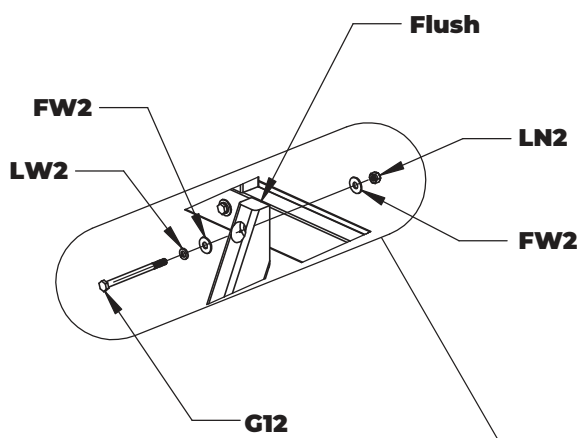
Hardware

G12 Hex Bolt
(x2) - 5/16" x 4-1/4"

FW2 Washer Flat
(x4) - 5/16"

LW2 Washer Lock
(x2) - 5/16"

LN2 Lock-Nut
(x2) - 5/16"

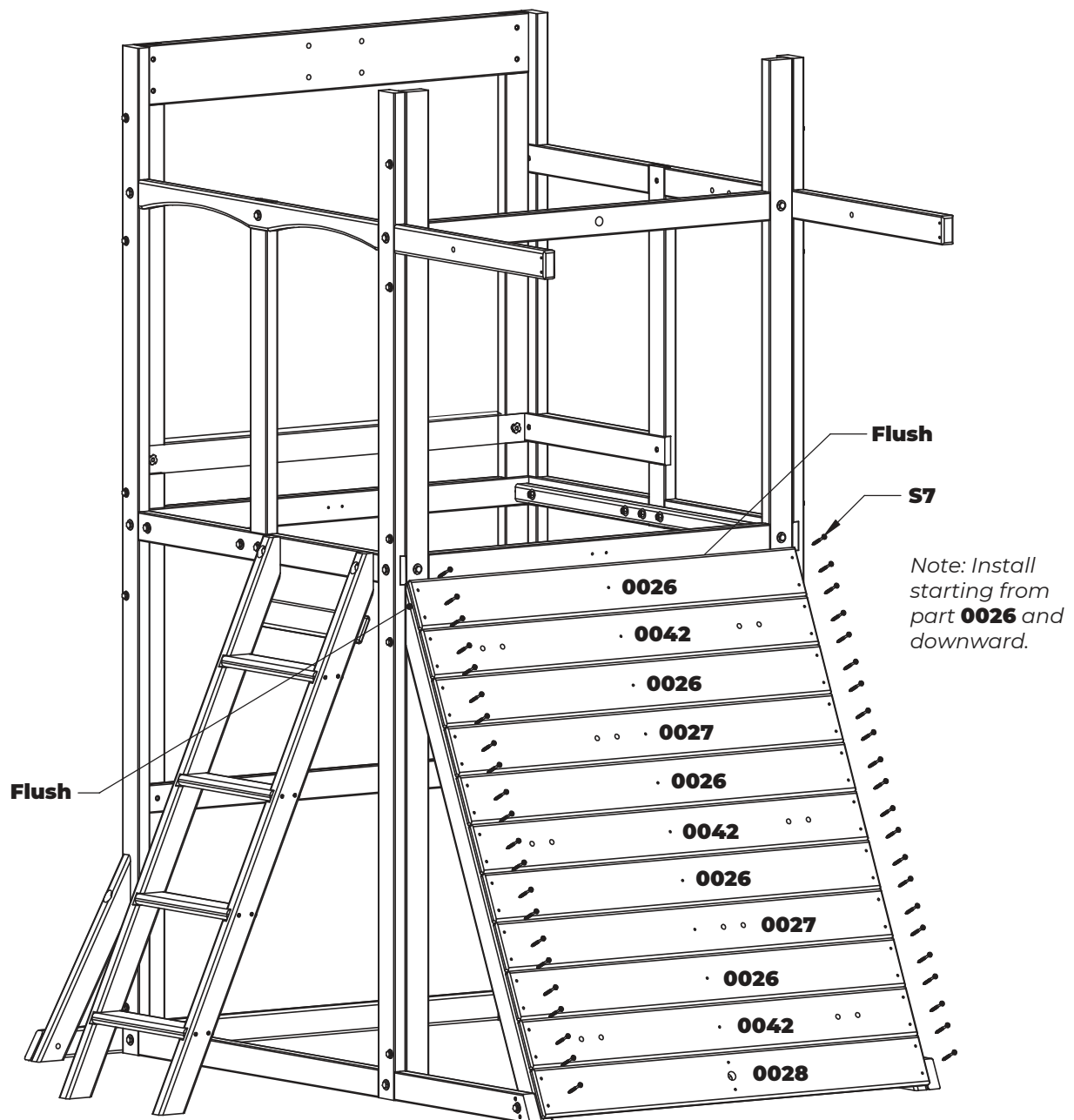


Step 13

Wood Parts		Hardware
0026 Climb Board A (x5) - 5/8" x 4 1/2" x 41 15/16"	0028 Rope Board (x1) - 5/8" x 4 1/2" x 41 15/16"	S7 Pan Screw (x44) - #12 x 2"
0027 Climb Board C (x2) - 5/8" x 4 1/2" x 41 15/16"	0042 Climb Board B (x3) - 5/8" x 4 1/2" x 41 15/16"	



Pre-drill each hole using a 1/8" drill bit.



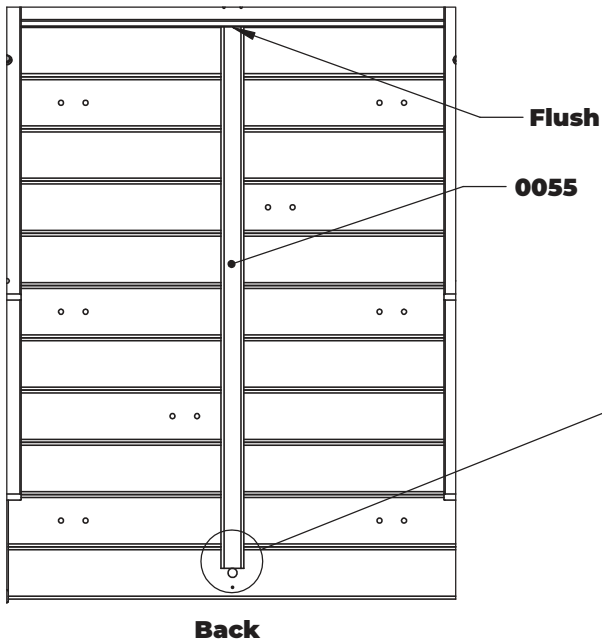
Step 14

Wood Parts

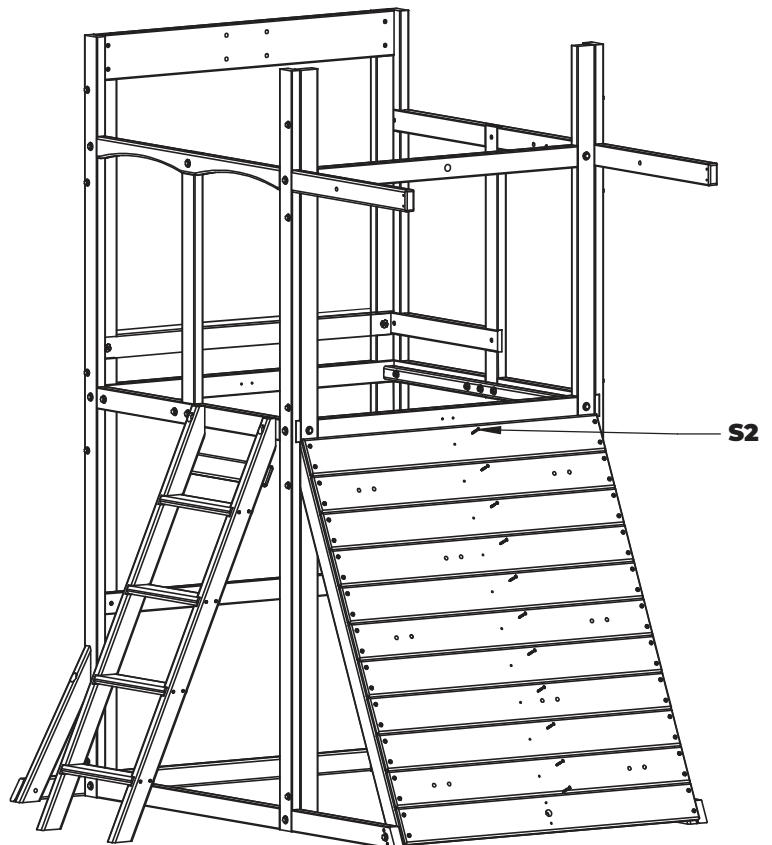
0055 Diagonal Braces
(x1) - 1" x 2" x 46 5/8"

Hardware

S2 Wood Screw
(x11) - #8 x 1 1/2"



Part **0055** should be in the centered position, with the bottom of the wood aligned with the edge of the hole.



Step 15

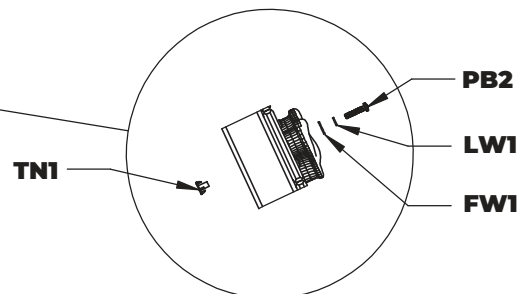
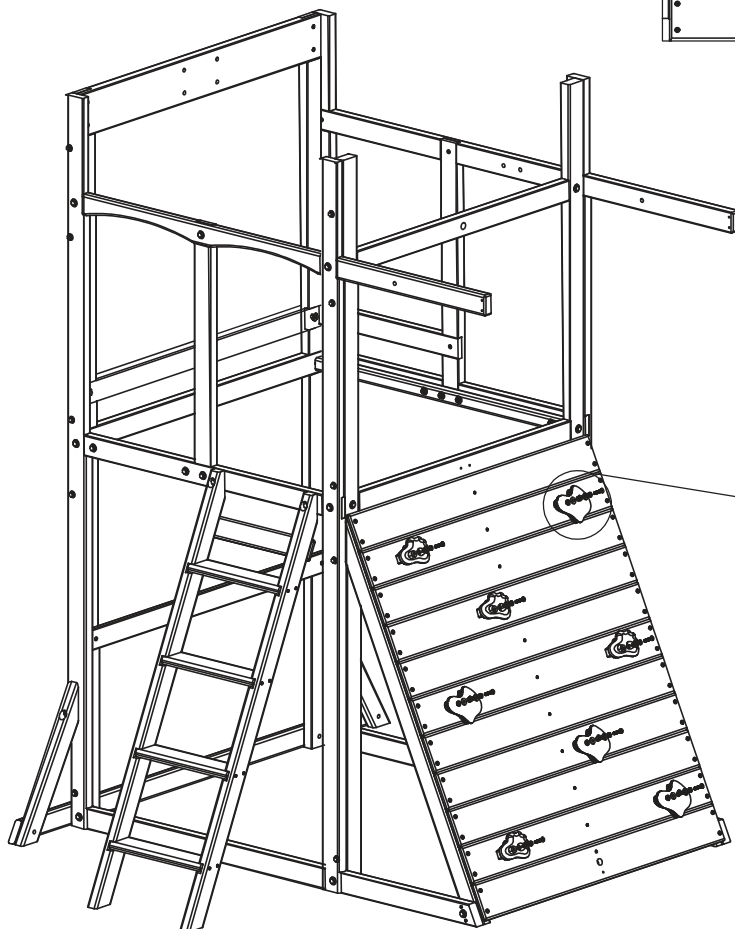
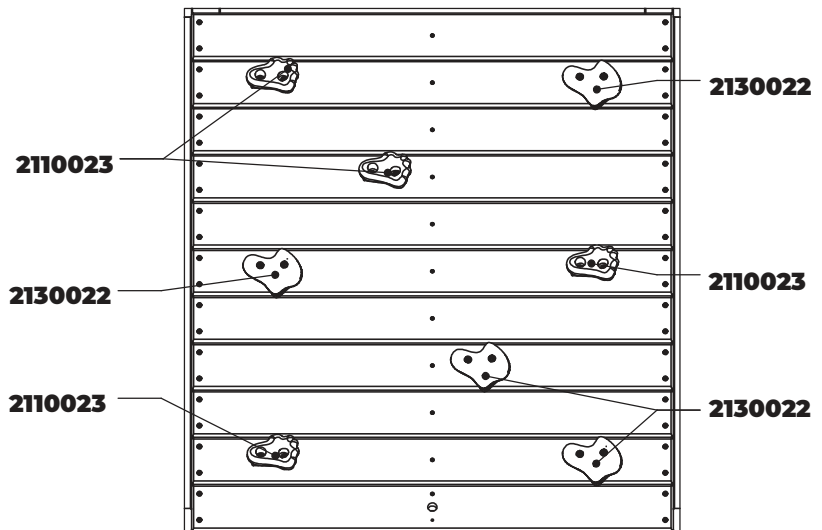
Hardware

PB2 Pan Bolt
(x16) - 1/4" x 1-1/4"
FW1 Washer Flat
(x16) - 1/4"

LW1 Washer Lock
(x16) - 1/4"
TN1 Tee-Nut
(x16) - 1/4"

Accessory

2130022
Rock A (x4)
2110023
Rock B (x4)



Assemble T-Nuts first with hammer!

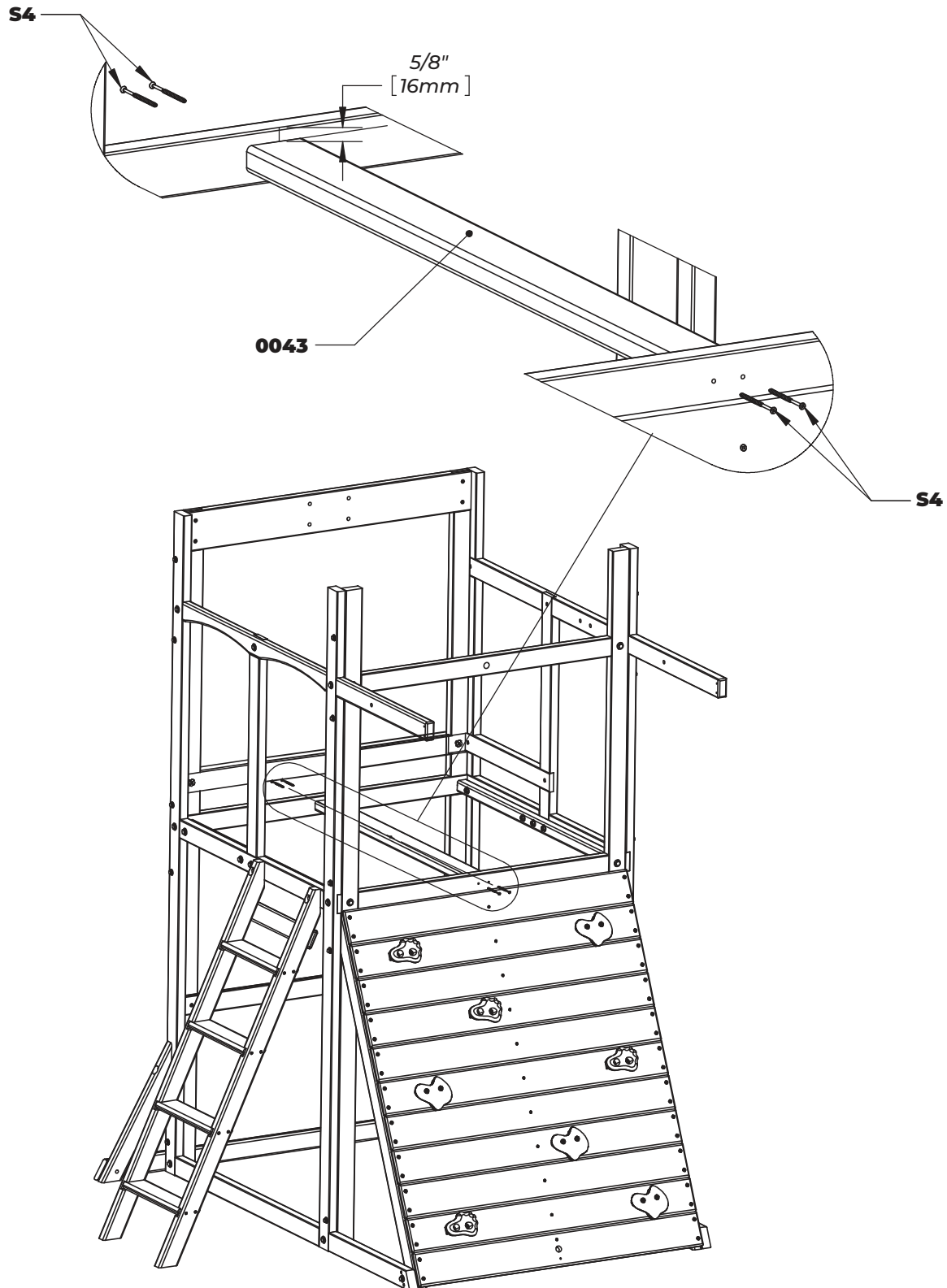
Step 16

Wood Parts

0043 Floor Joist
(x1) - 1 1/4" x 3" x 39 3/8"

Hardware

S4 Wood Screw
(x4) - #8 x 3"



Step 17

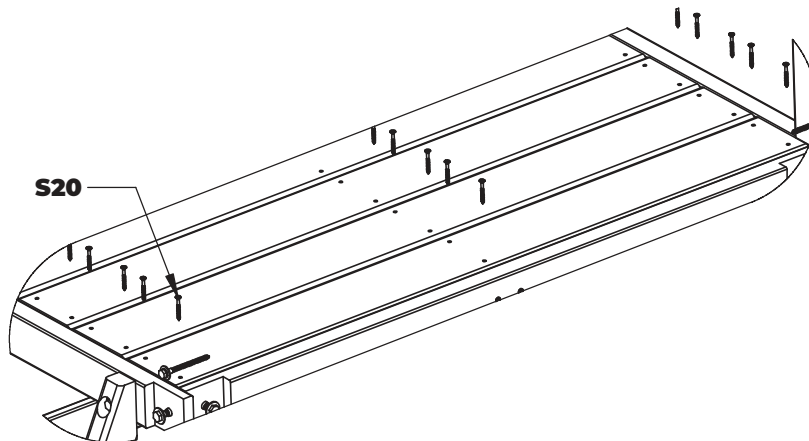
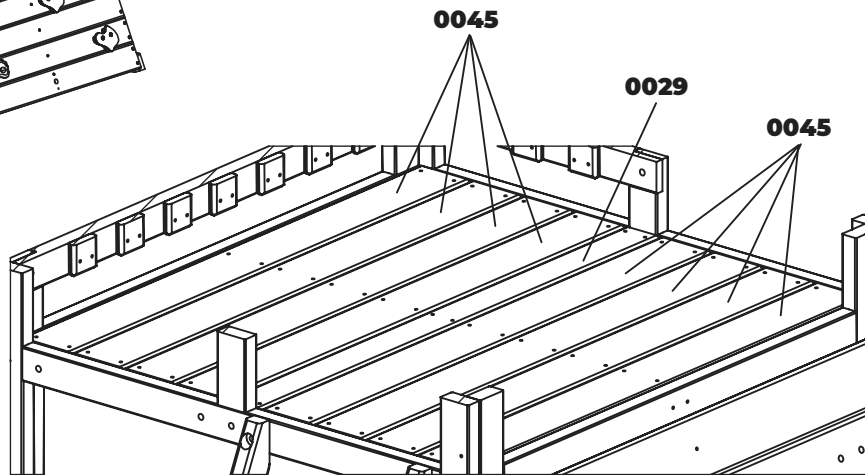
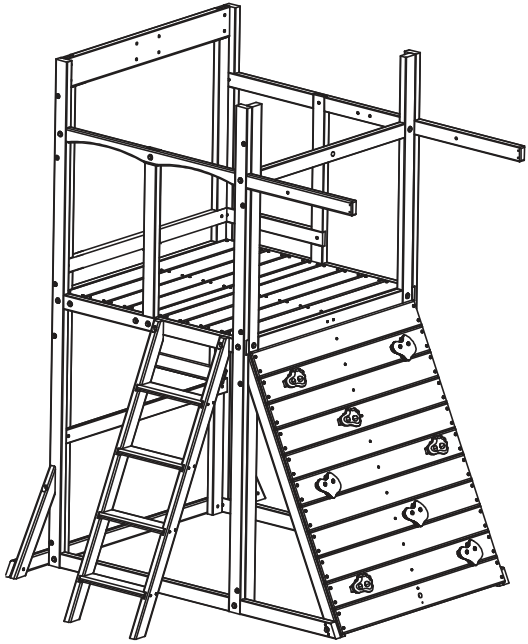
Wood Parts

0029 Floor Board B
(x1) - 5/8" x 3" x 41 15/16"

0045 Side Joist
(x8) - 5/8" x 4 1/2" x 41 15/16"

Hardware

S20 Wood Screw
(x54) - #8 x 1-3/8"



Step 18

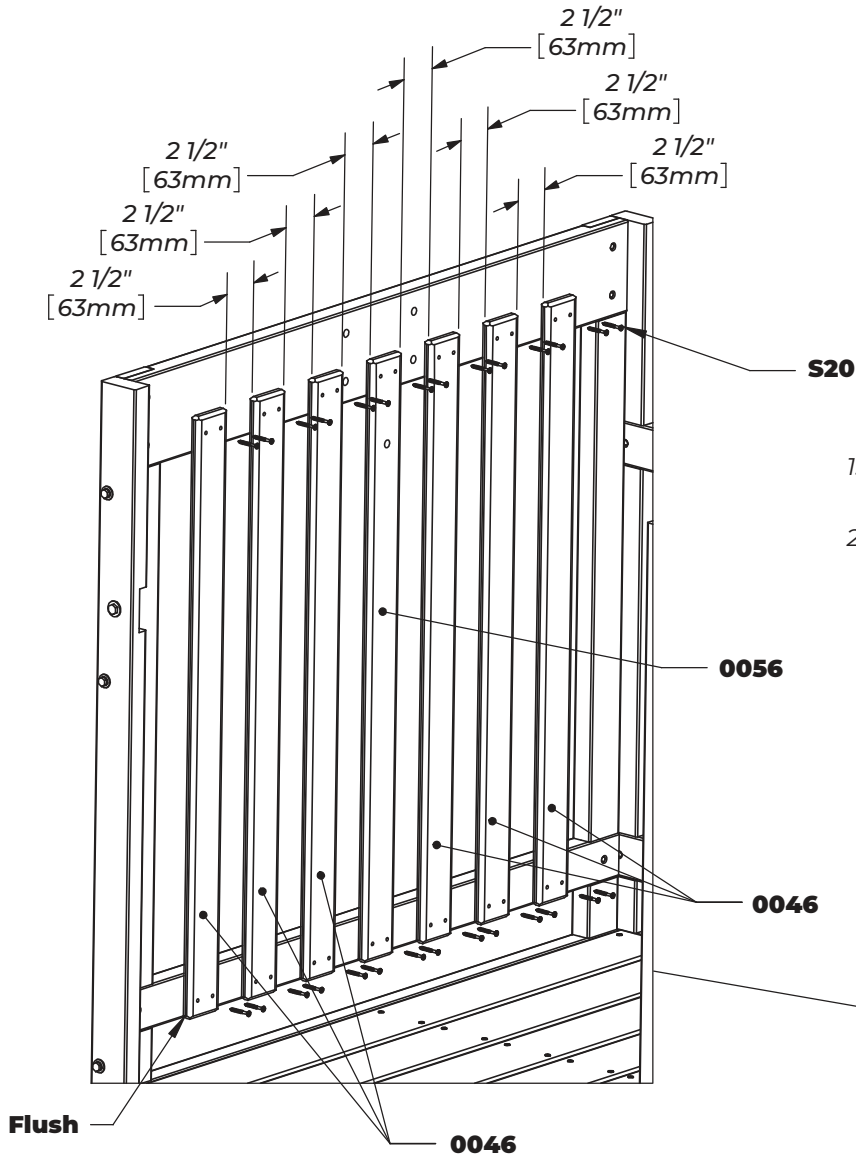
Wood Parts

Hardware

0046 Fence Panel Side A
(x6) - 5/8" x 2 1/2" x 34 7/16"

0056 Fence Panel Side
(x1) - 5/8" x 2 1/2" x 34 7/16"

S20 Wood Screw
(x28) - #8 x 1-3/8"



1. Center part **0056** on the swing wall, ensuring the bottom is flush.
2. Install part **0046** on both sides of part **0056**, maintaining a 2-1/2 inch spacing and ensuring the bottom is flush.



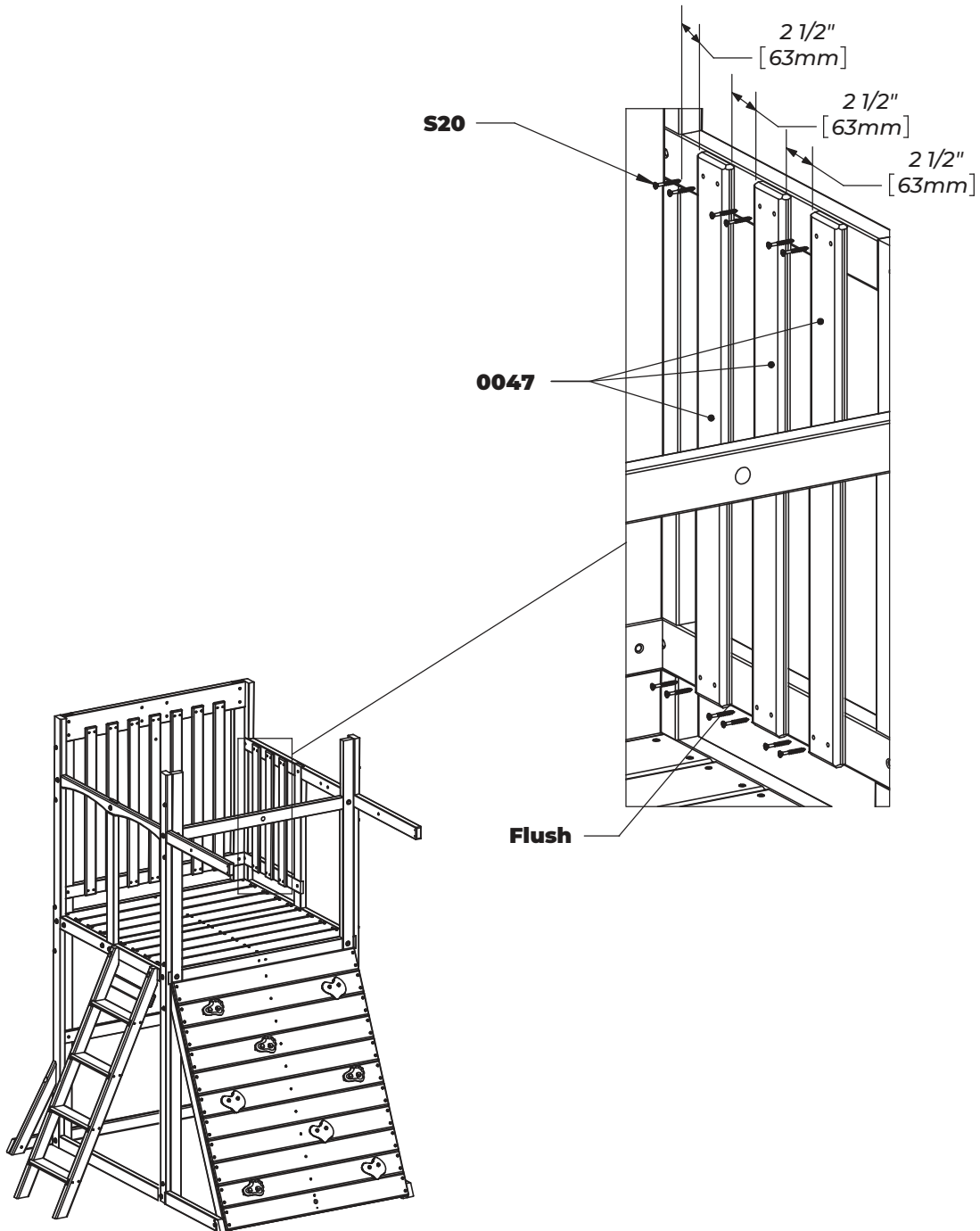
Step 19

Wood Parts

0047 Fence Panel Back
(x3) - 5/8" x 2 1/2" x 26"

Hardware

S20 Wood Screw
(x12) - #8 x 1-3/8"



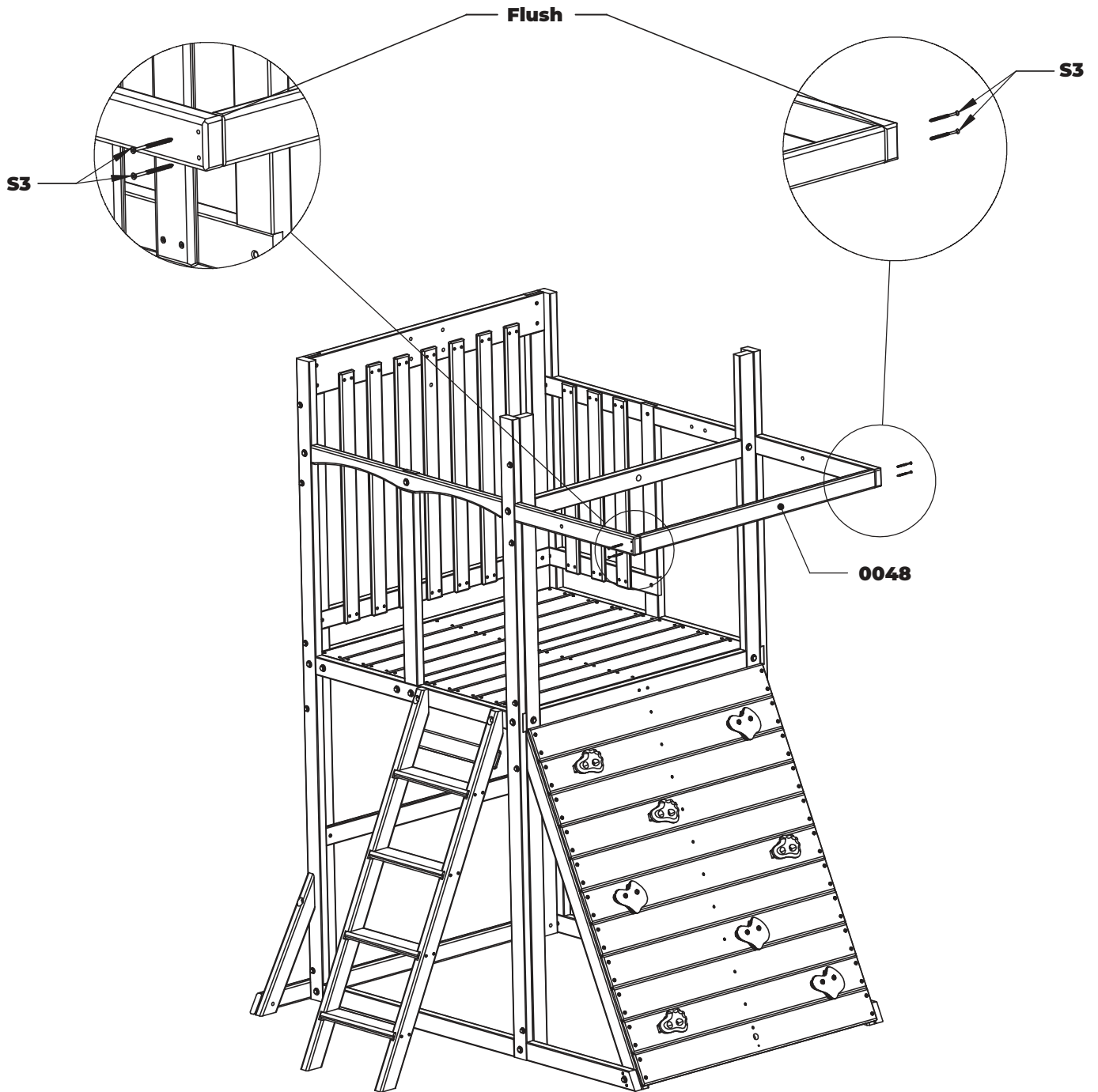
Step 20

Wood Parts

0048 Awning Cross
(x1) - 15/16" x 2 1/2" x 42"

Hardware

S3 Wood Screw
(x4) - #8 x 2-1/2"



Step 21

Wood Parts

0017 Awning Oblique Support
(x2) - 1 1/4" x 2 1/2" x 14 3/16"

Hardware

S11 Wood Screw
(x2) - #8 x 2"

WL5 Wafer Head Lag Screw
(x2) - 1/4" x 2-1/2"

G9 Hex Bolt
(x2) - 5/16" x 2-1/2"

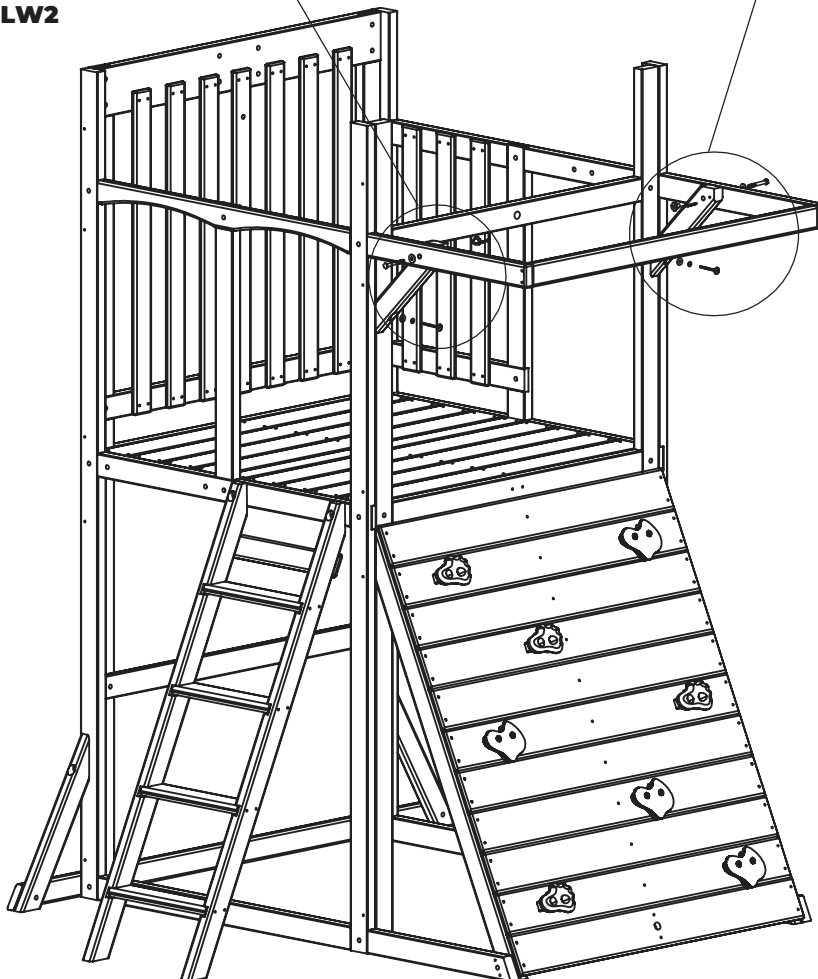
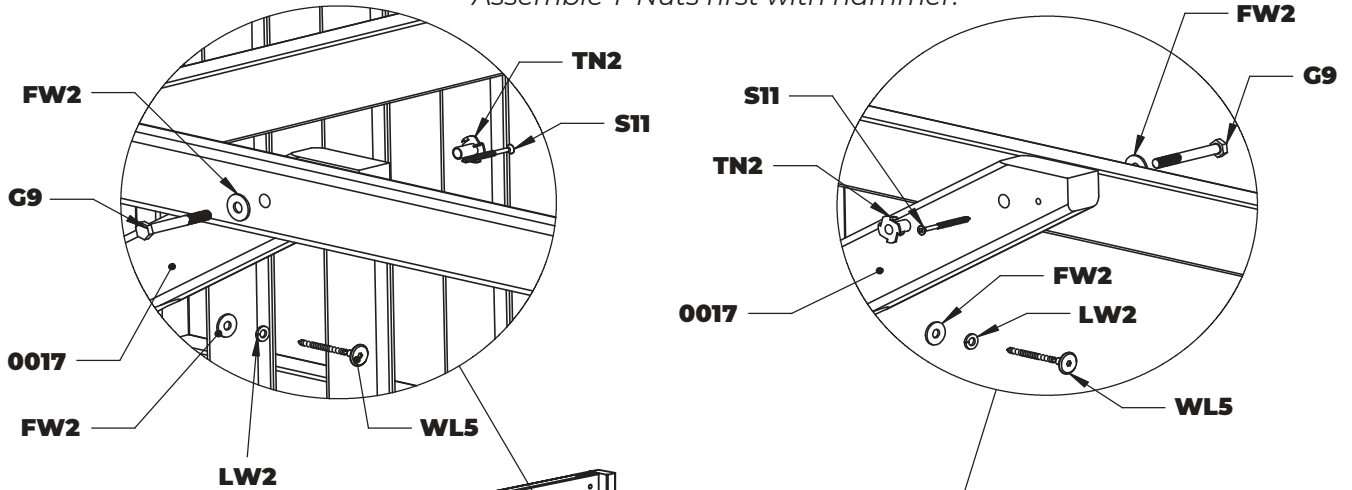
FW2 Washer Flat
(x4) - 5/16"

LW2 Washer Lock
(x2) - 5/16"

TN2 Tee-Nut
(x2) - 5/16"

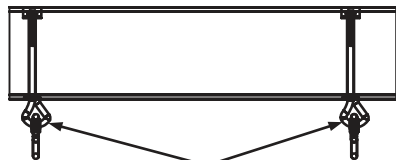
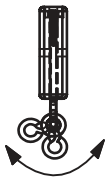
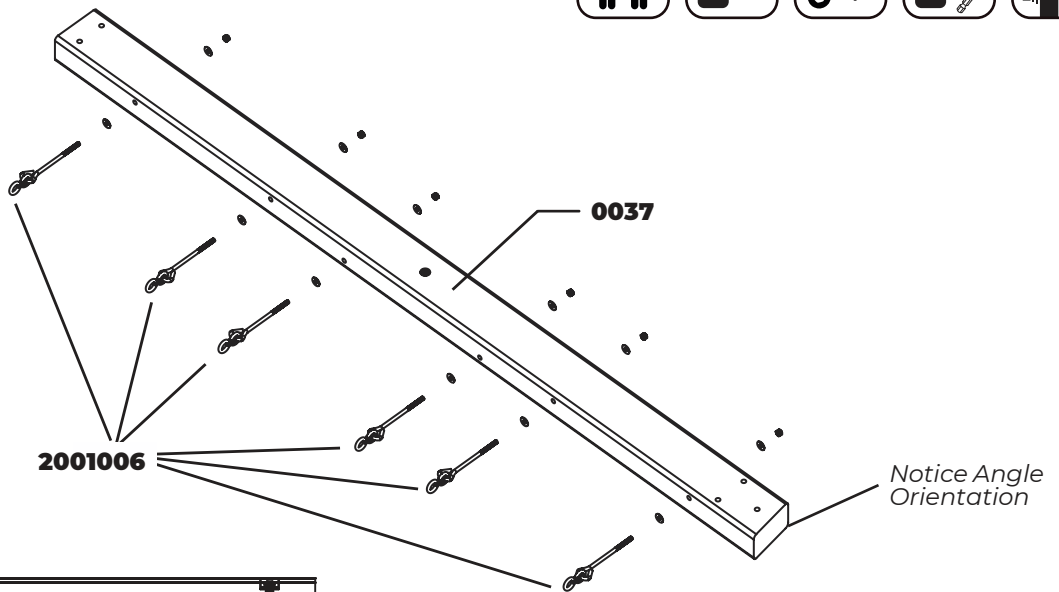


Assemble T-Nuts first with hammer!



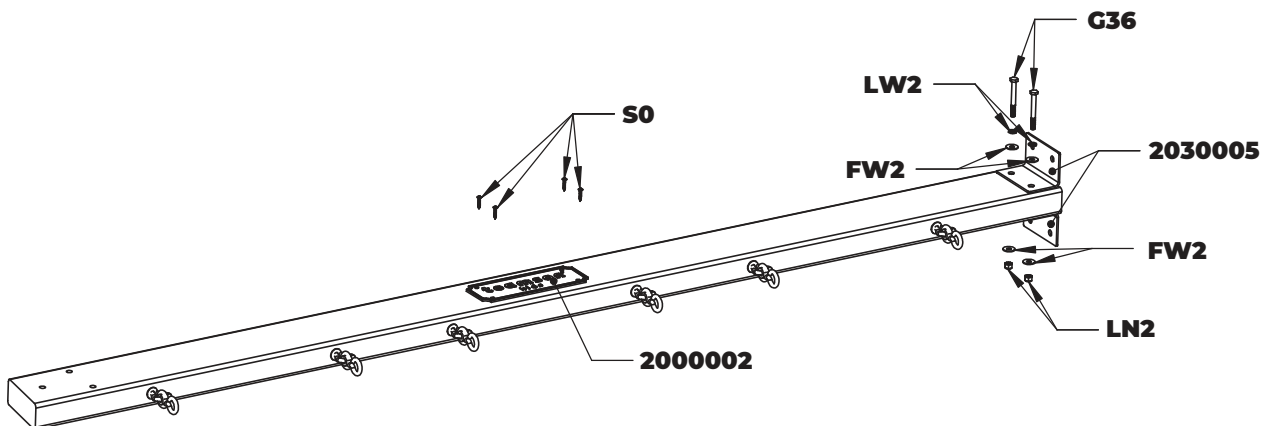
Step 22

Wood Parts	Hardware	Accessory
0037 SW Beam (x1) - 2" x 5 1/4" x 88"	S0 Truss Head Screw (x4) - #8 x 7/8" G36 Hex Bolt (x2) - 5/16" x 2-3/4" FW2 Washer Flat (x4) - 5/16" LW2 Washer Lock (x2) - 5/16" LN2 Lock-Nut (x2) - 5/16"	2000002 Teamson Playset Plaque (x1) 2030005 L-Beam Bracket(x2) 2001006 Sheeps eye Swing Hanger (x6)



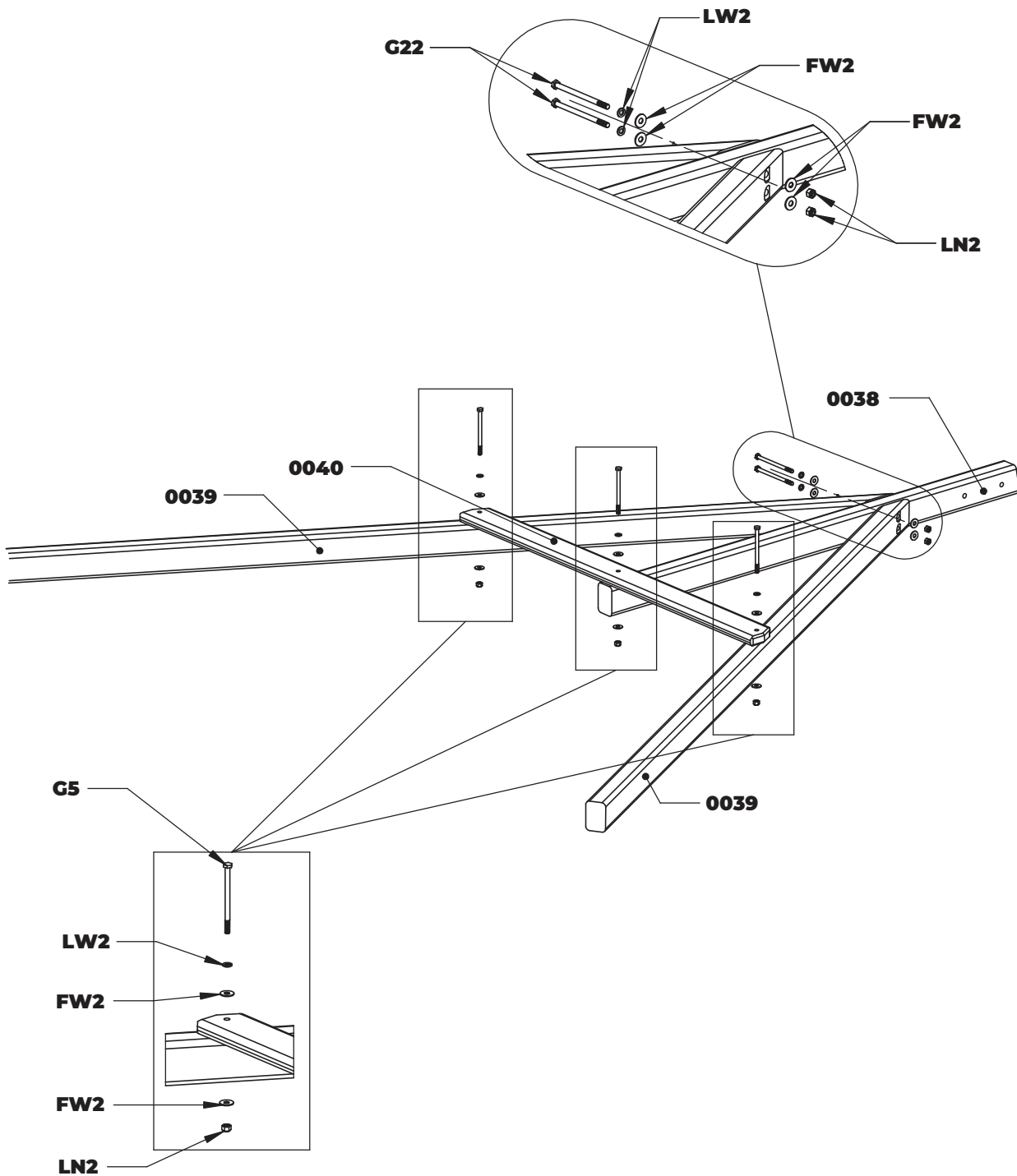
For each swing position, ensure the open sides of the hooks face AWAY from each other.

For your child's safety, orientate the swing hangers as shown to ensure your swing will have proper swing motion when installed. Failure to do so could result in premature failure of the swing hanger or swing chain.



Step 23

Wood Parts	Hardware	
0038 SW Support Cross (x1) - 2" x 3" x 50 15/16"	G5 Hex Bolt (x3) - 5/16" x 4-1/2"	LW2 Washer Lock (x5) - 5/16"
0039 SW Support (x2) - 2" x 3" x 86"	G22 Hex Bolt (x2) - 5/16" x 5"	LN2 Lock-Nut (x5) - 5/16"
0040 SW Support Joint (x1) - 1" x 3 1/4" x 42 15/16"	FW2 Washer Flat (x10) - 5/16"	



Step 24

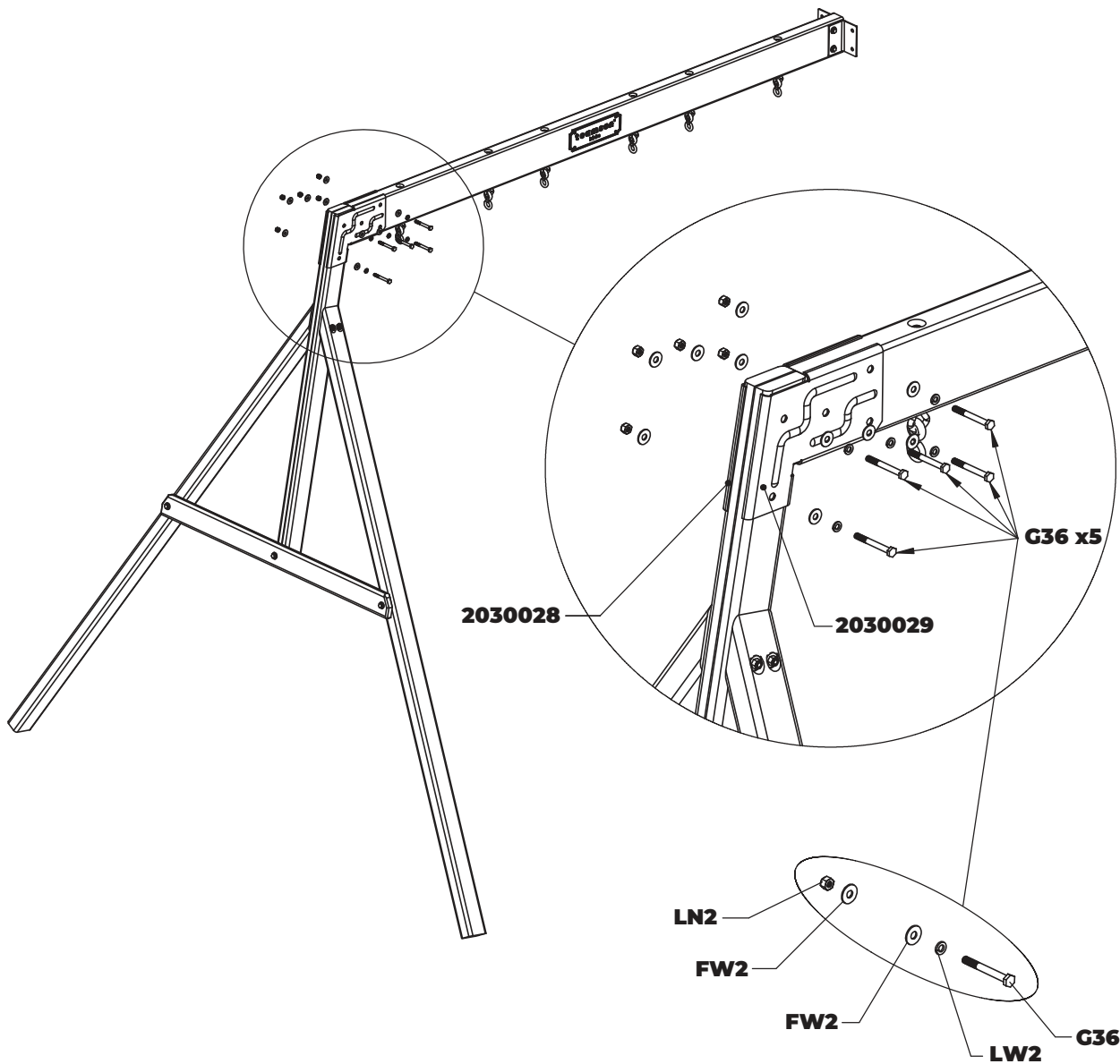
Hardware

G36 Hex Bolt
(x5) - 5/16" x 2-3/4"
FW2 Washer Flat
(x10) - 5/16"

LW2 Washer Lock
(x5) - 5/16"
LN2 Lock-Nut
(x5) - 5/16"

Accessory

2030028
Beam Bracket L(x1)
2030029
Beam Bracket R(x1)



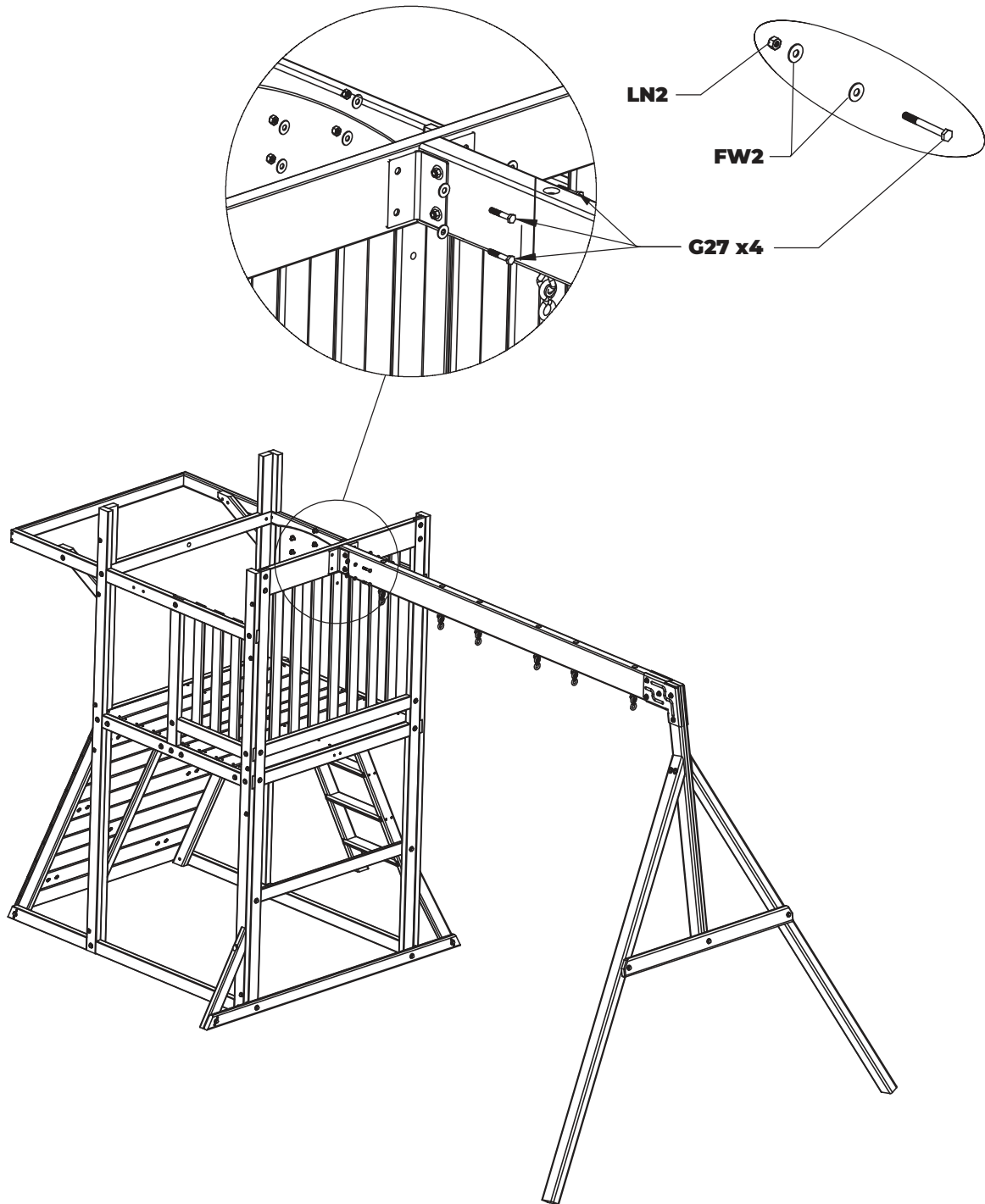
Step 25

Hardware

G27 Hex Bolt
(x4) - 5/16" x 1-3/4"

FW2 Washer Flat
(x8) - 5/16"

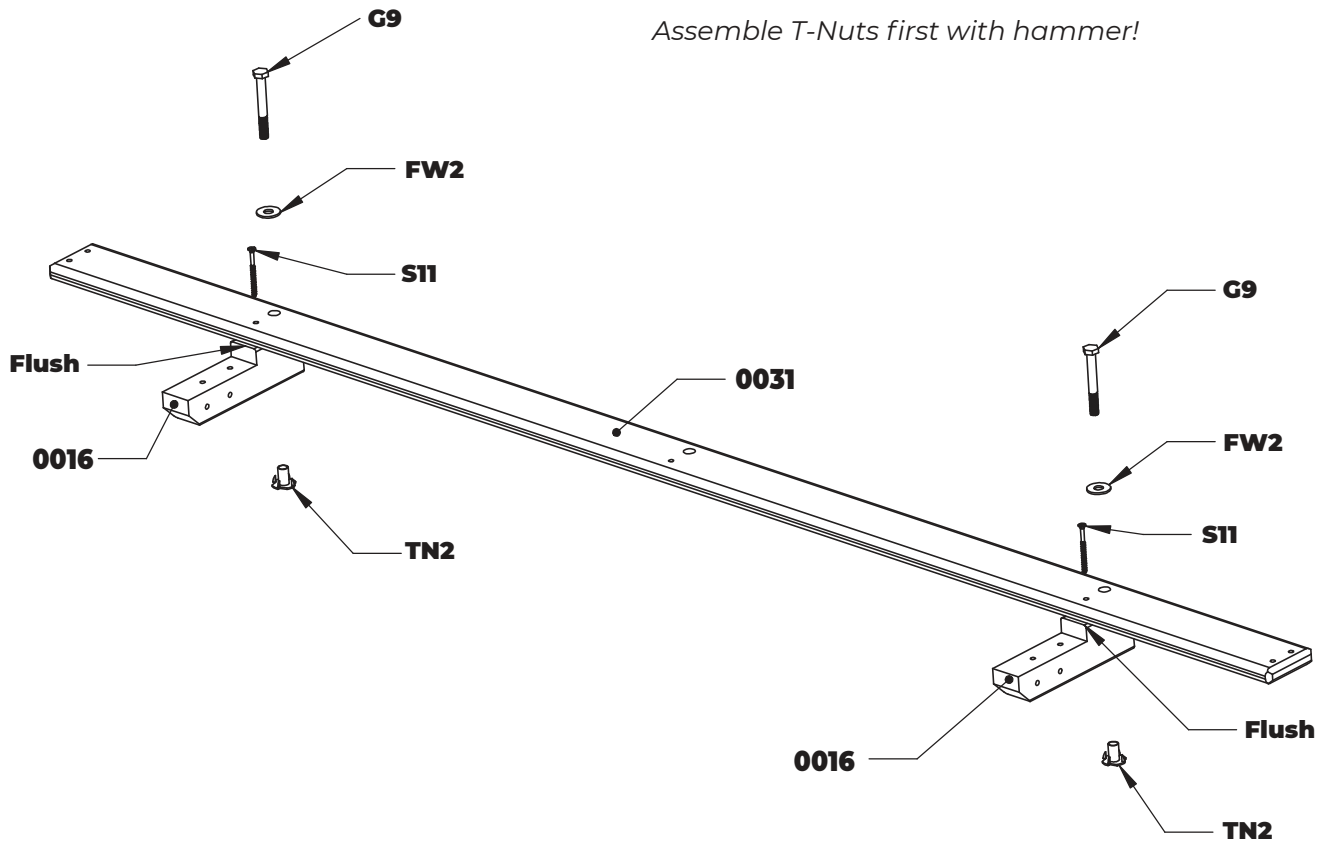
LN2 Lock-Nut
(x4) - 5/16"



Step 26

Wood Parts	Hardware	
0016 Main-Roof Frame Joint (x4) - 1 1/4" x 1 7/8" x 6 1/4"	S11 Wood Screw (x4) - #8 x 2"	FW2 Washer Flat (x4) - 5/16"
0031 Roof Frame Side (x2) - 5/8" x 2 1/2" x 60"	G9 Hex Bolt (x4) - 5/16" x 2-1/2"	TN2 Tee-Nut (x4) - 5/16"

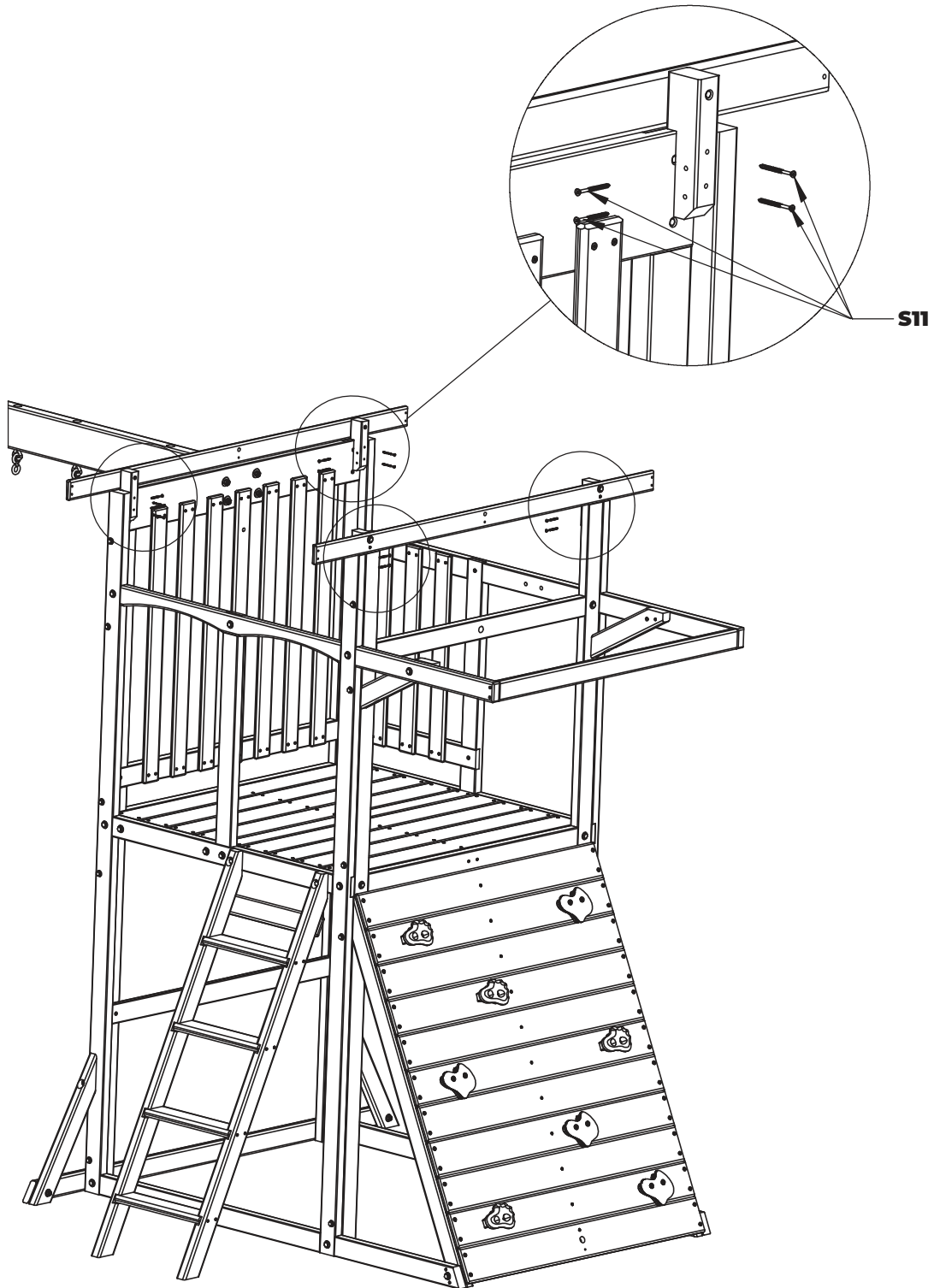
Repeat this step two times



Step 27

Hardware

S11 Wood Screw
(x16) - #8 x 2"



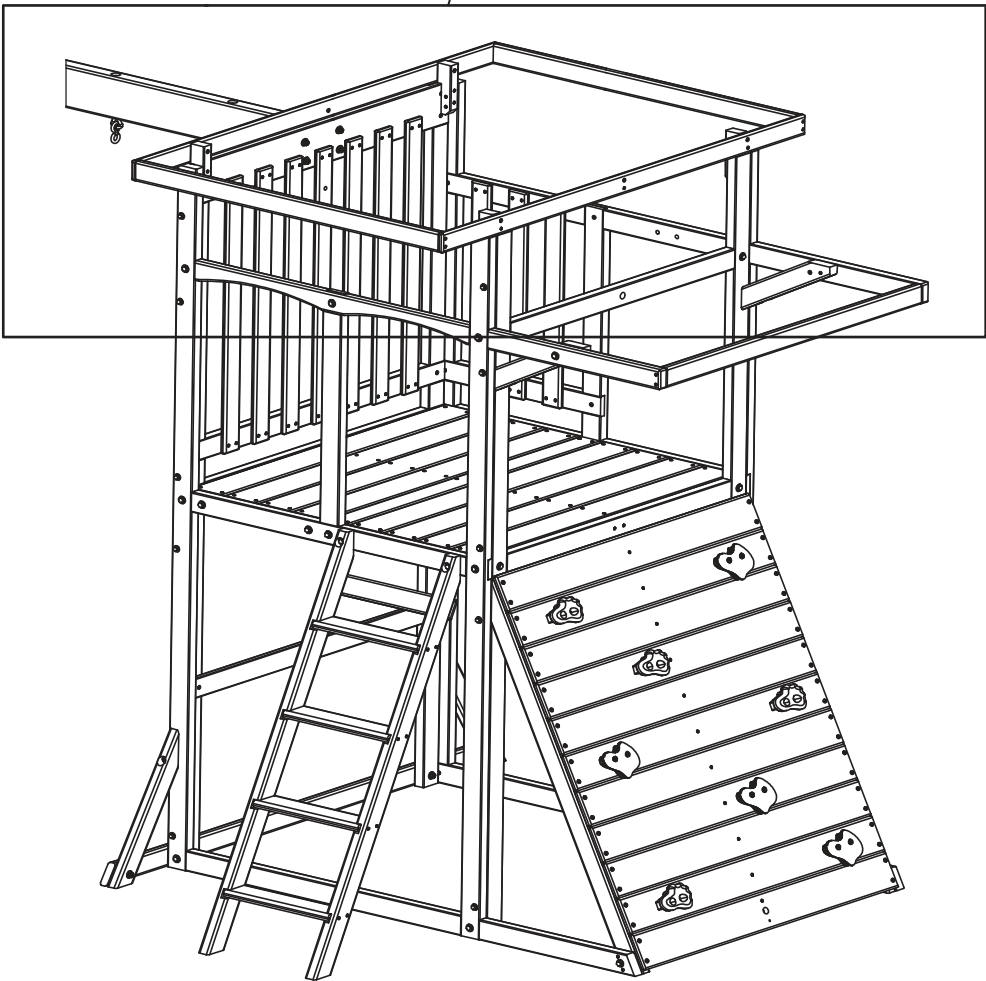
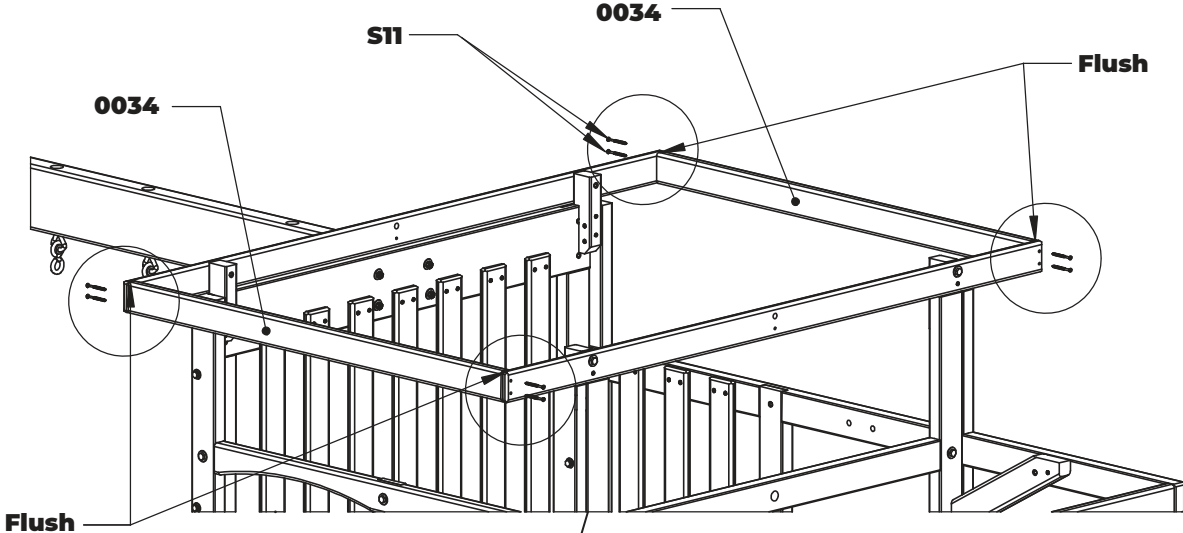
Step 28

Wood Parts

0034 Roof Frame Front-Back
(x2) - 15/16" x 2 1/2" x 40 3/4"

Hardware

S11 Wood Screw
(x8) - #8 x 2"



Step 29

Wood Parts

0049 Roof Support Upright
(x2) - 1 1/2" x 1 1/2" x 25"

Hardware

S11 Wood Screw
(x2) - #8 x 2"

G3 Hex Bolt
(x2) - 5/16" x 2-1/4"

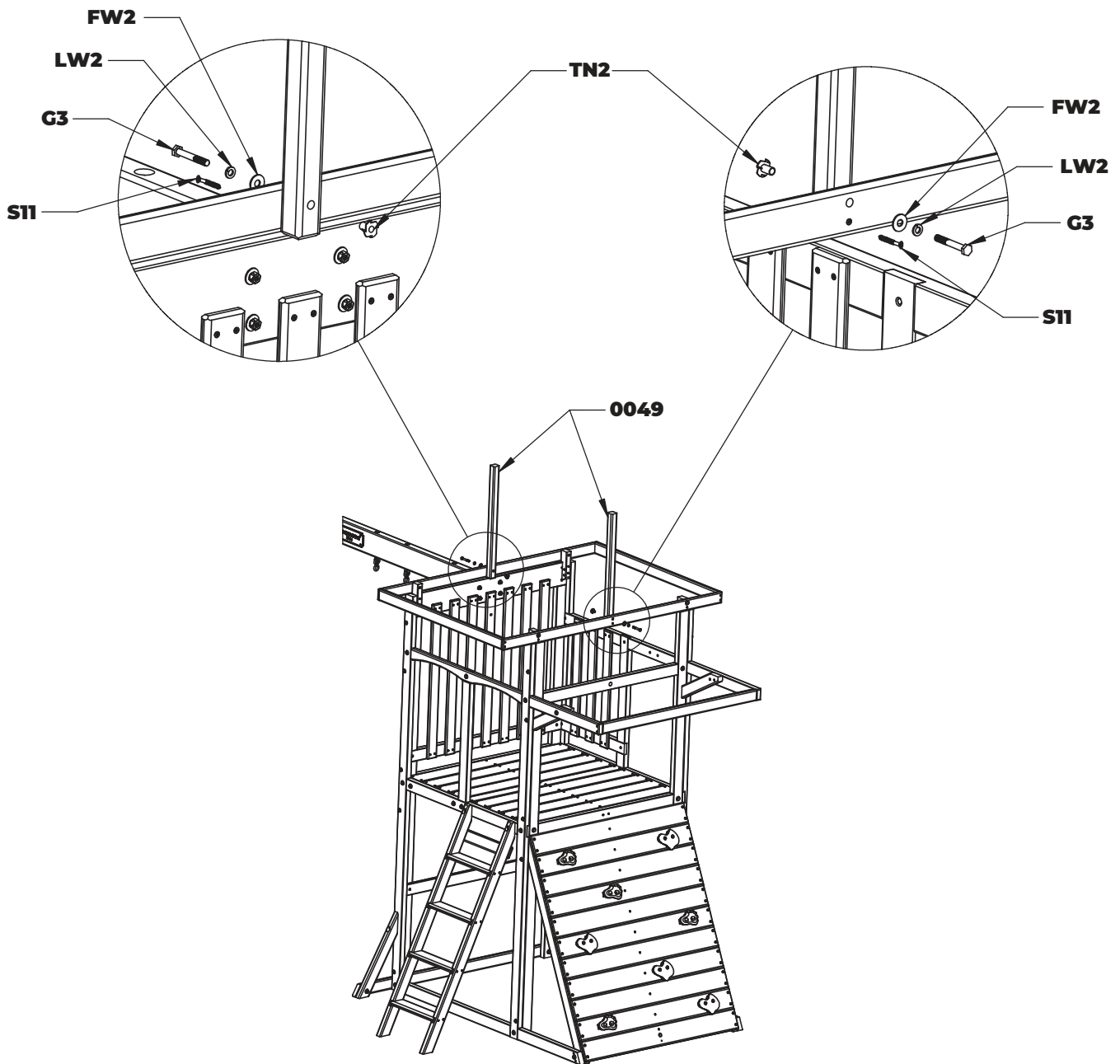
FW2 Washer Flat
(x2) - 5/16"

LW2 Washer Lock
(x2) - 5/16"

TN2 Tee-Nut
(x2) - 5/16"



Assemble T-Nuts first with hammer!
Pre-drill each hole using a 1/8" drill bit.



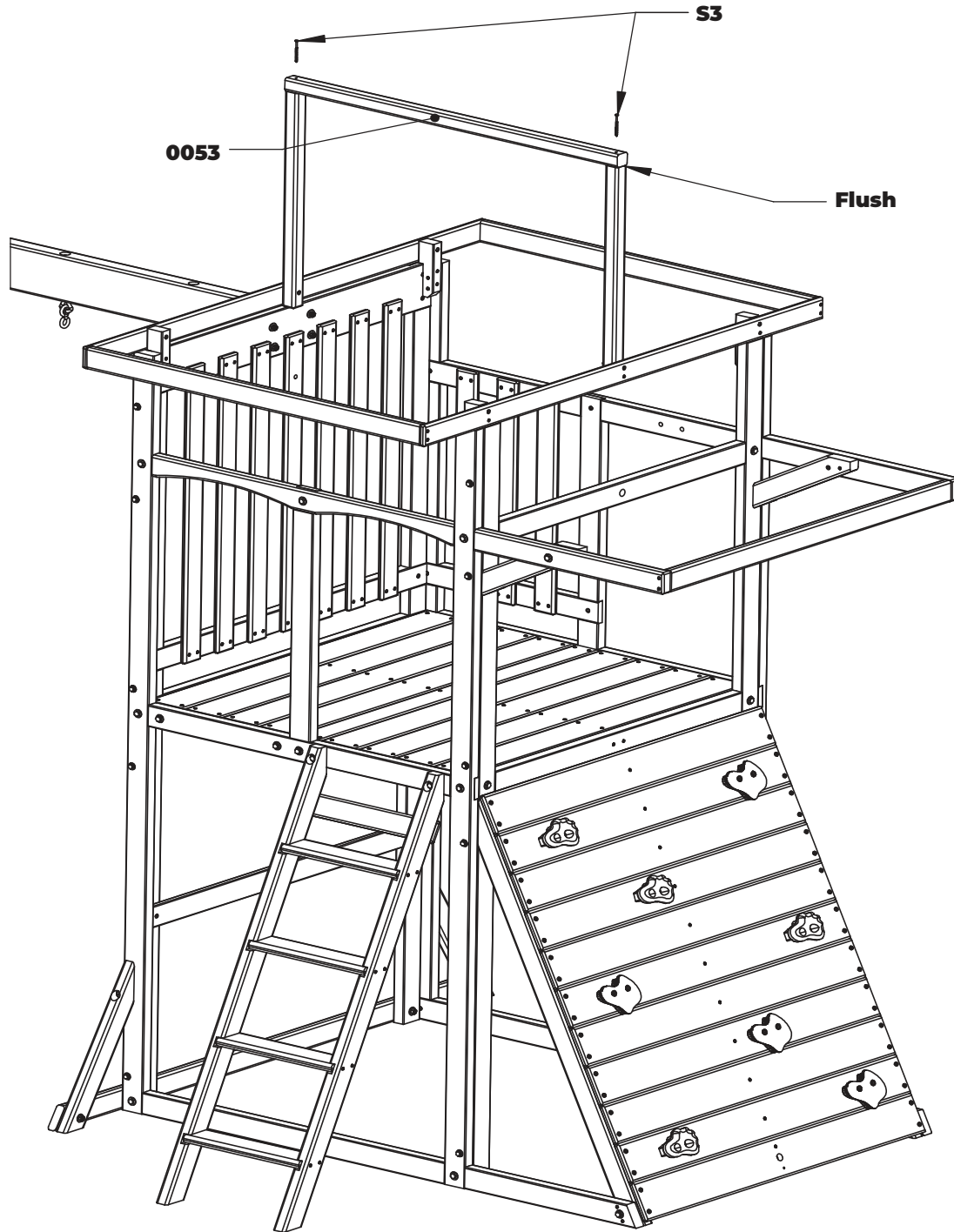
Step 30

Wood Parts

0053 Roof Support Across
(x1) - 1 1/2" x 1 1/2" x 40 3/4"

Hardware

S3 Wood Screw
(x2) - #8 x 2-1/2"



Step 31

Hardware

S37 Pan Screw
(x12) - #7 x 5/8"

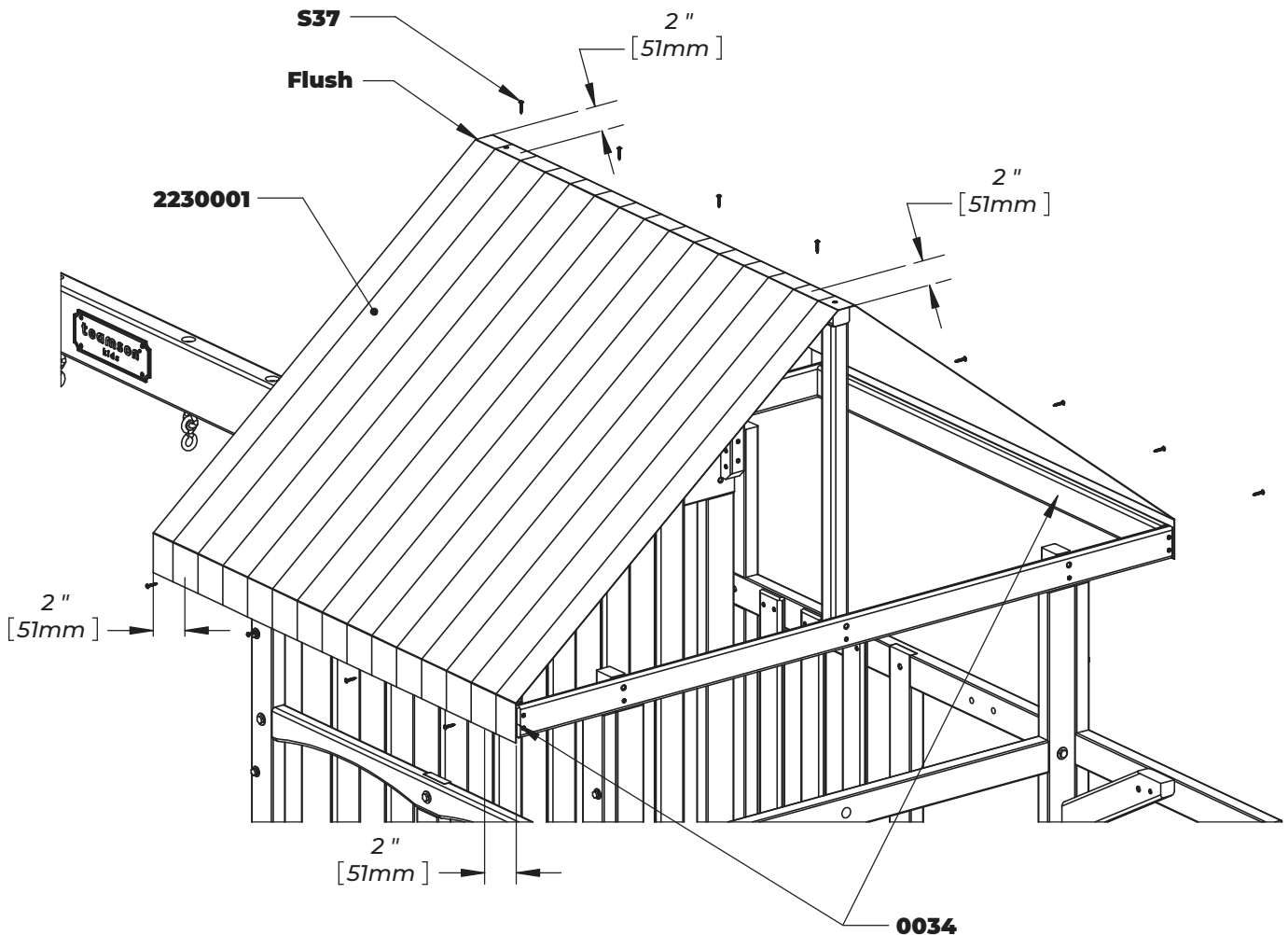
Accessory

2230001
Fabric Roof A (x1)



1. Fold the canopy in half, align the centerline with the top center, and secure it using **S37** screws. The **S37** screws on both sides should be 2 inches from the edges, with the middle screws evenly distributed.
2. Tighten the canopy onto part **0034** and secure it using **S37** screws. The **S37** screws on both sides should be 2 inches from the edges, with the middle screws evenly distributed.

Note: Ensure the roof is flat.



Step 32

Hardware

S37 Pan Screw
(x8) - #7 x 5/8"

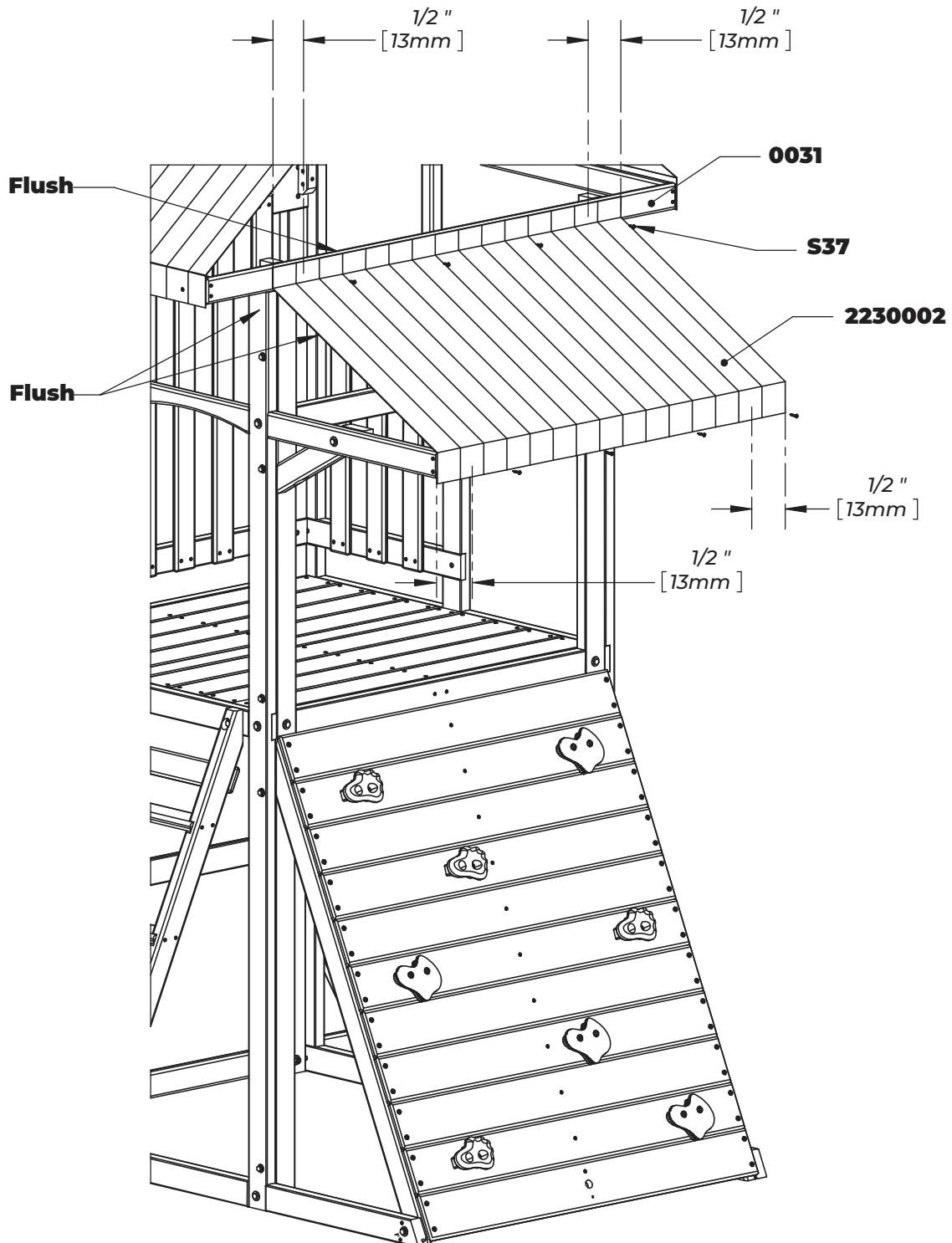
Accessory

2230002
Fabric Roof B (x1)

The roof should be installed from top to bottom, with the edges of the canopy aligned to the posts and the top aligned with the top of part **0031**.

Secure the canopy using **S37** screws, placing them 1/2" from the canopy's edge on both sides, with the remaining screws evenly distributed.

Please ensure the canopy remains flat.



Step 33

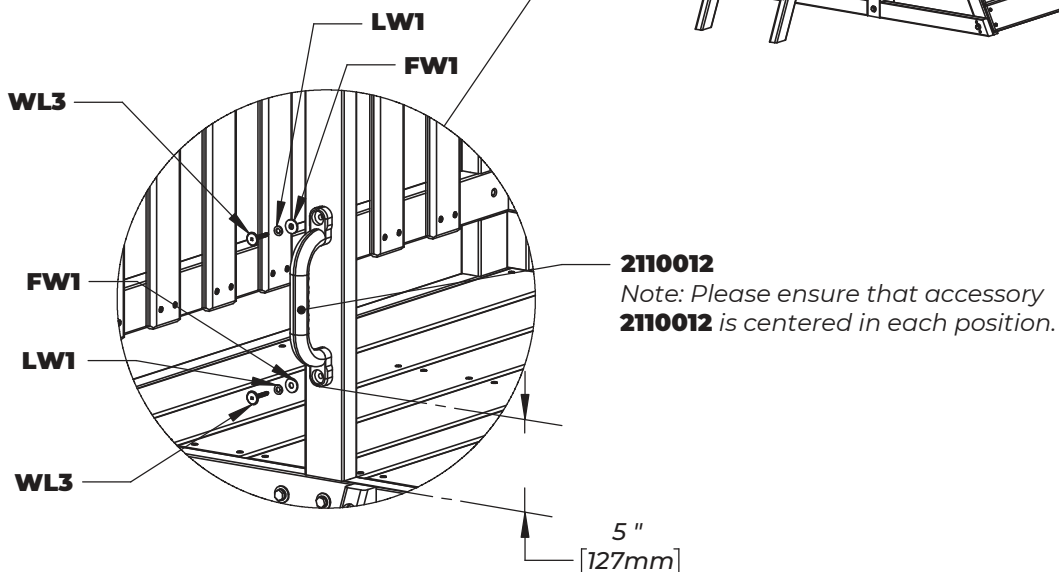
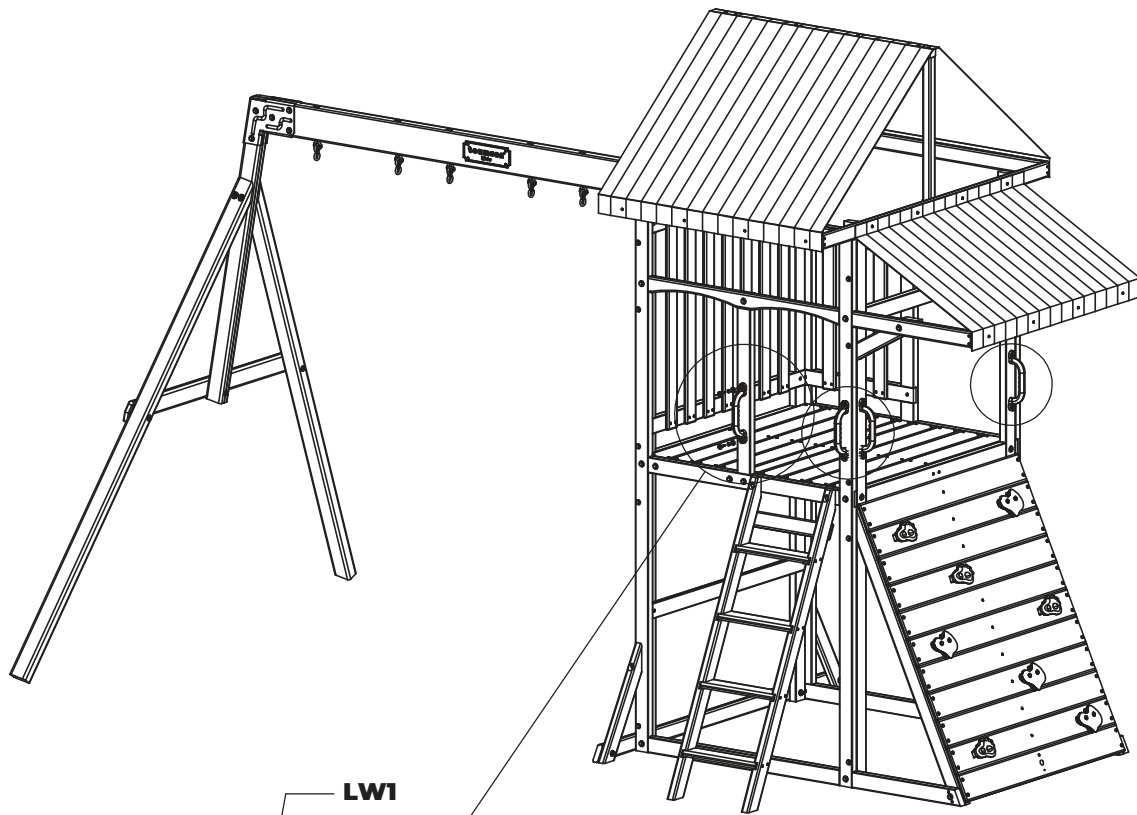
Hardware

WL3 Wafer Head Lag Screw
(x8) - 1/4" x 1-3/8"
FW1 Washer Flat
(x8) - 1/4"

LW1 Washer Lock
(x8) - 1/4"

Accessory

2110012
Hand Grip (x4)



Pre-drill each hole using a 3/16" drill bit.

Step 34

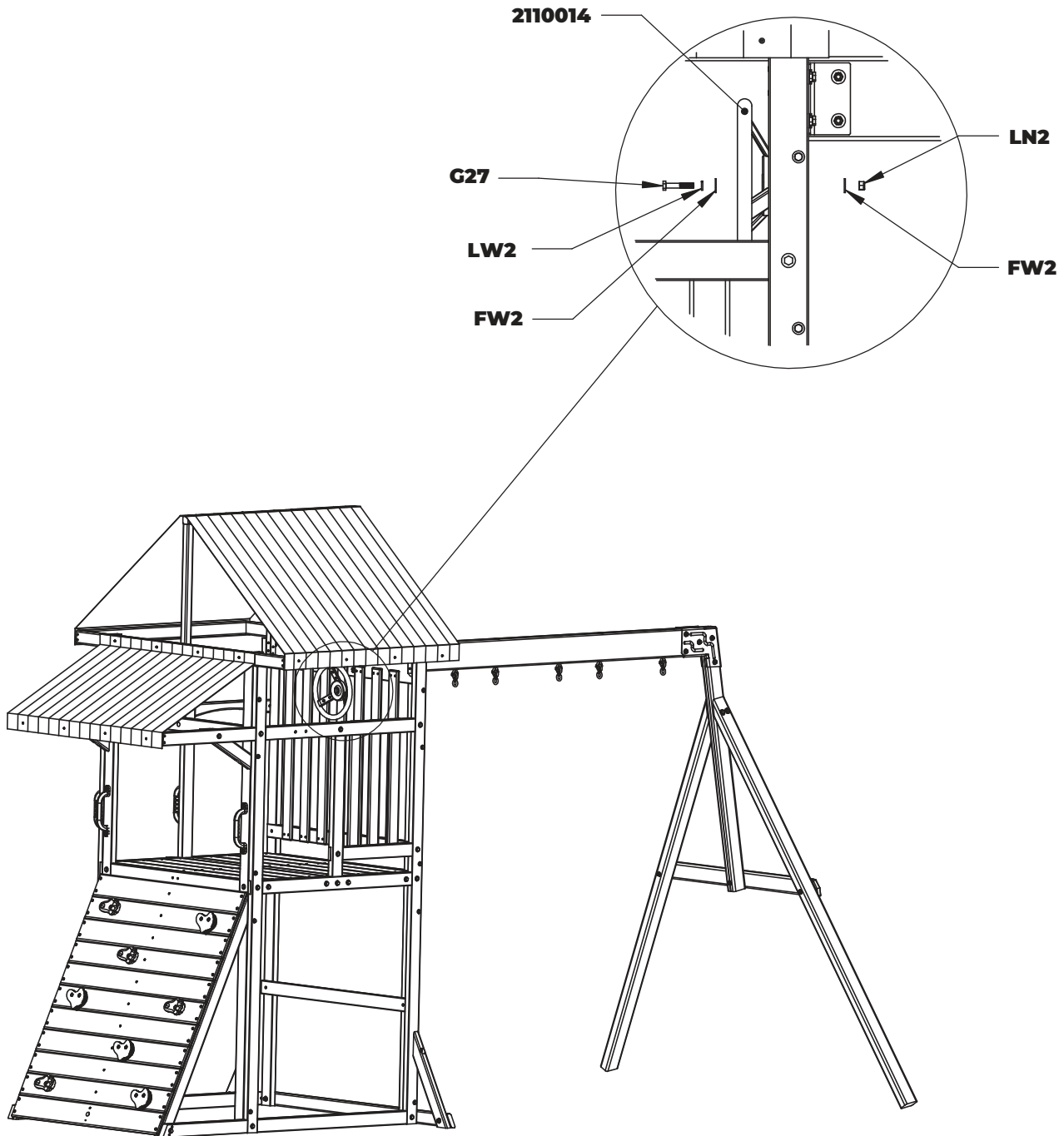
Hardware

G27 Hex Bolt
(x1) - 5/16" x 1-3/4"
FW2 Washer Flat
(x2) - 5/16"

LW2 Washer Lock
(x1) - 5/16"
LN2 Lock-Nut
(x1) - 5/16"

Accessory

2110014
Steering Wheel (x1)



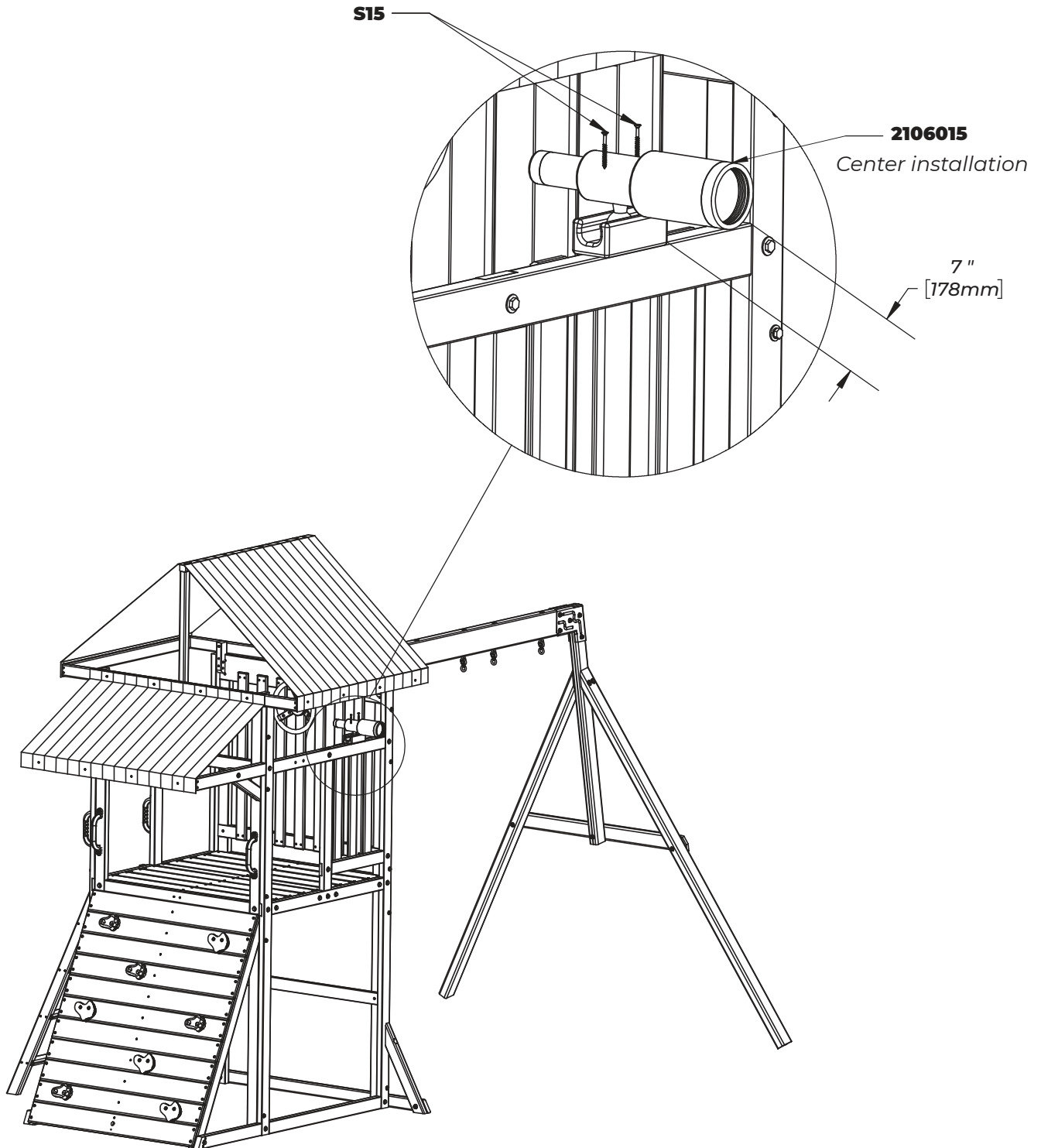
Step 35

Hardware

S15 Wood Screw
(x2) - #8 x 1-3/4"

Accessory

2106015
Telescope Parasolid (x1)



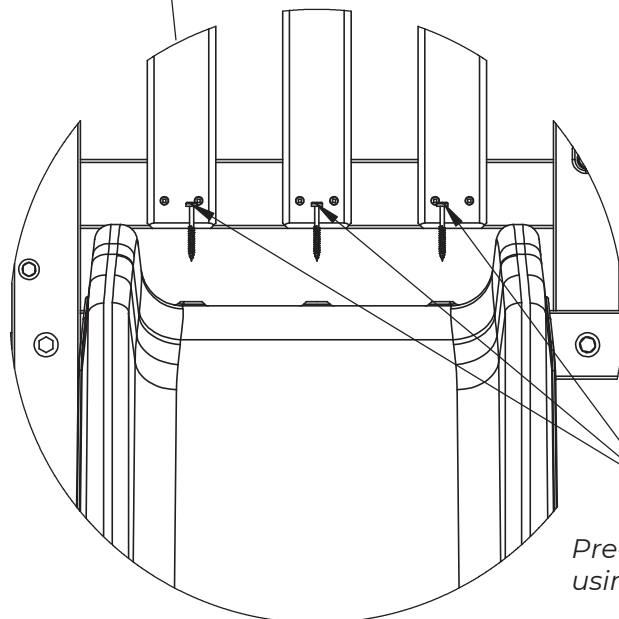
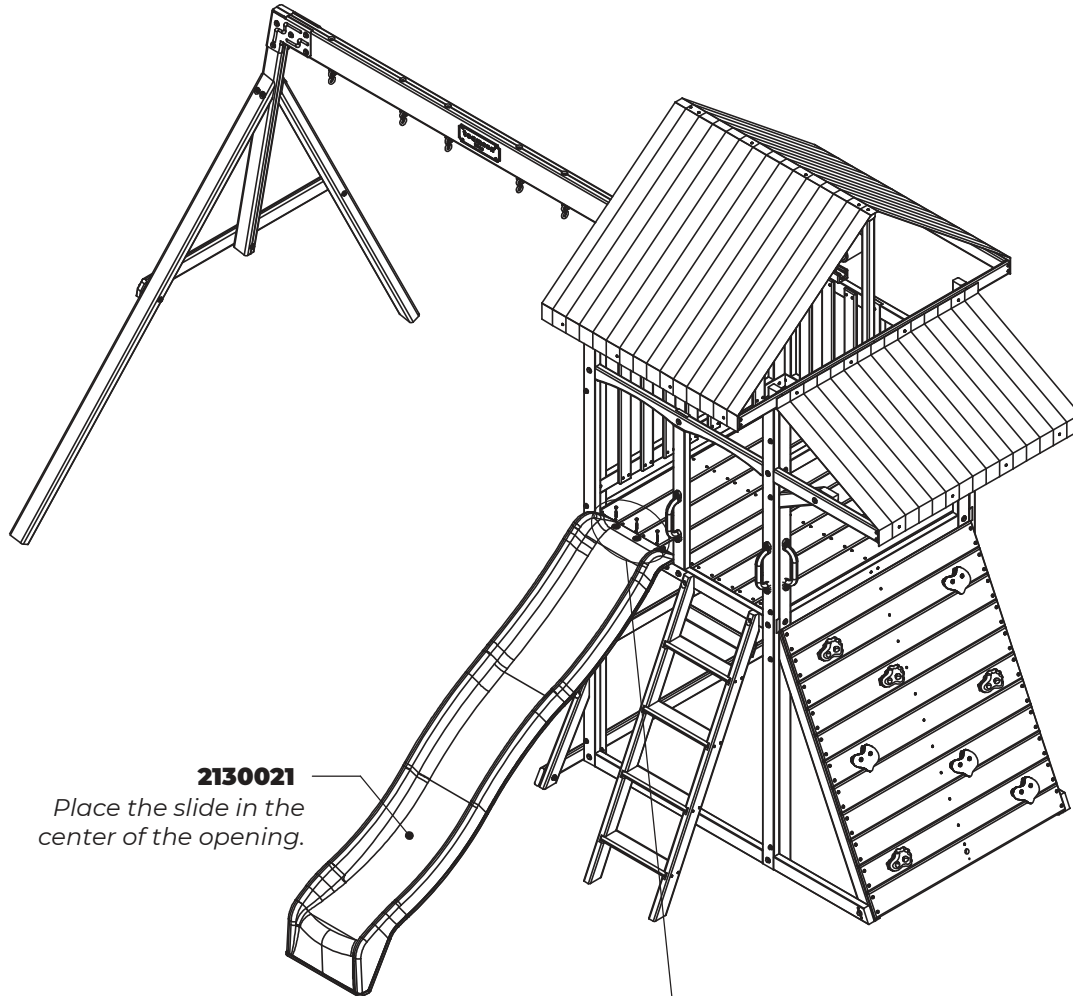
Step 36

Hardware

S7 Pan Screw
(x47) - #12 x 2"

Accessory

2130021
48in High Rail Slide (x1)

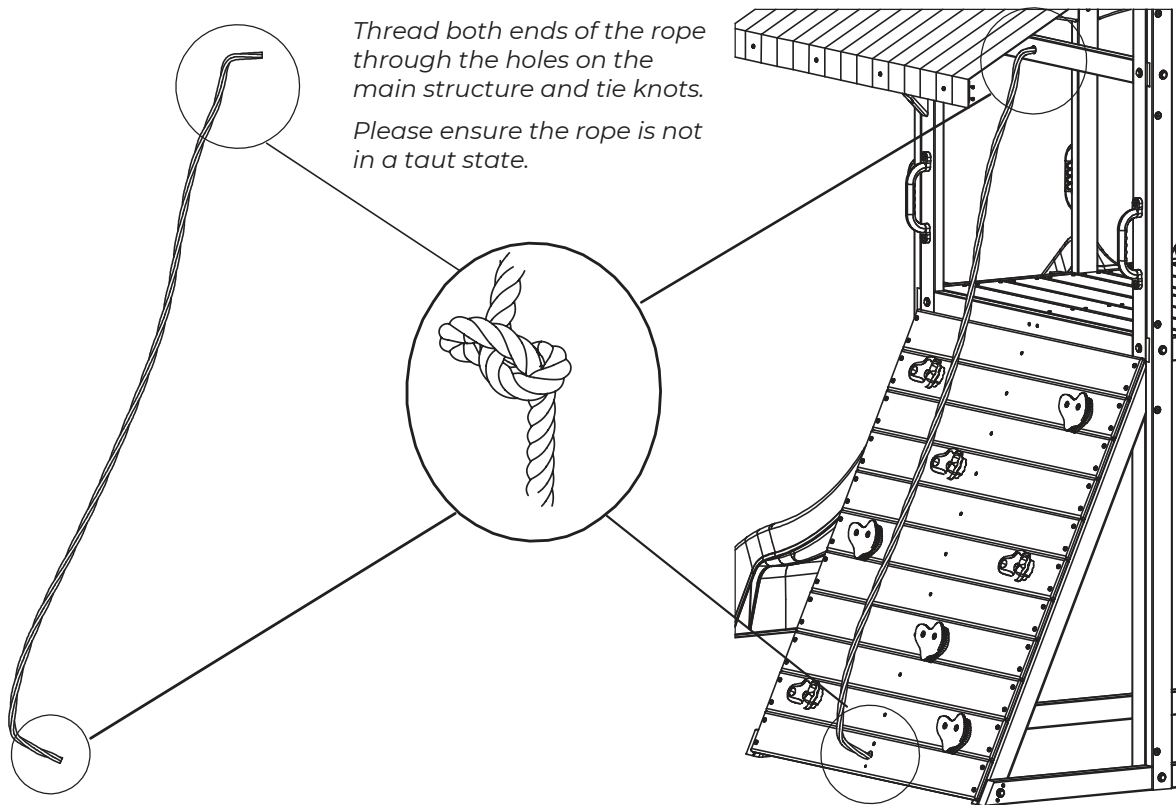
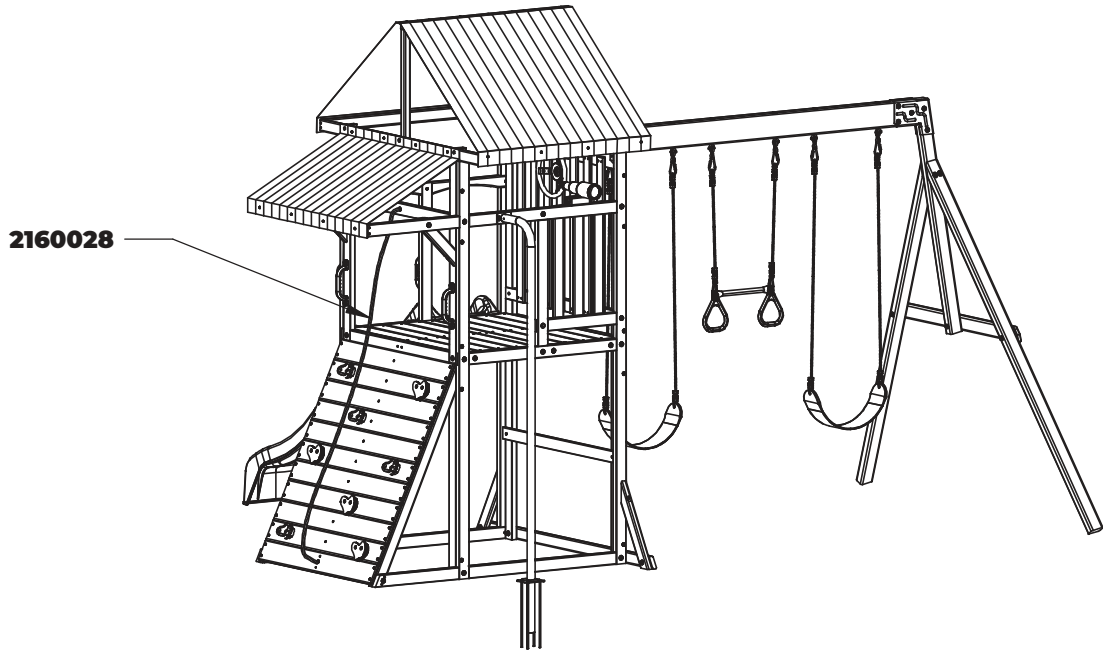


Step 37

Accessory

2160028

Rope-Crimp (x1)



Step 38

Hardware

G1 Hex Bolt
(x2) - 5/16" x 1-1/2"
FW2 Washer Flat
(x2) - 5/16"

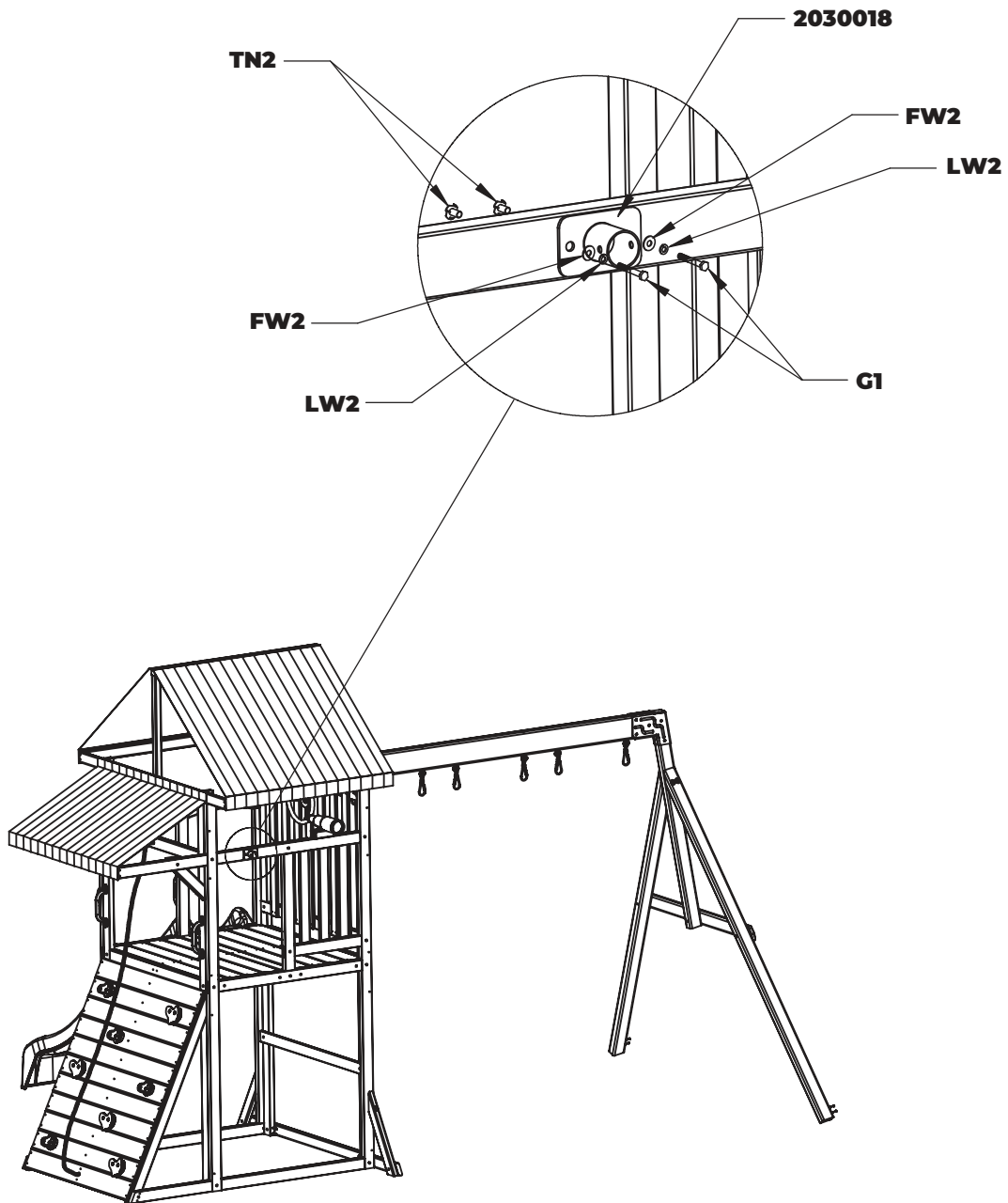
LW2 Washer Lock
(x2) - 5/16"
TN2 Tee-Nut
(x2) - 5/16"

Accessory

2030018
Firemans Top Weilding Pole (x1)



Assemble T-Nuts first with hammer!



Step 39

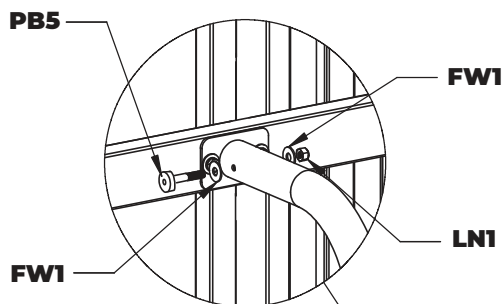
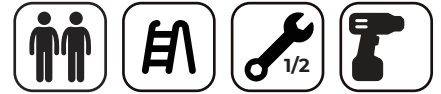
Hardware

PB5 Pan Bolt
(x1) - 1/4" x 2"
FW1 Washer Flat
(x2) - 1/4"

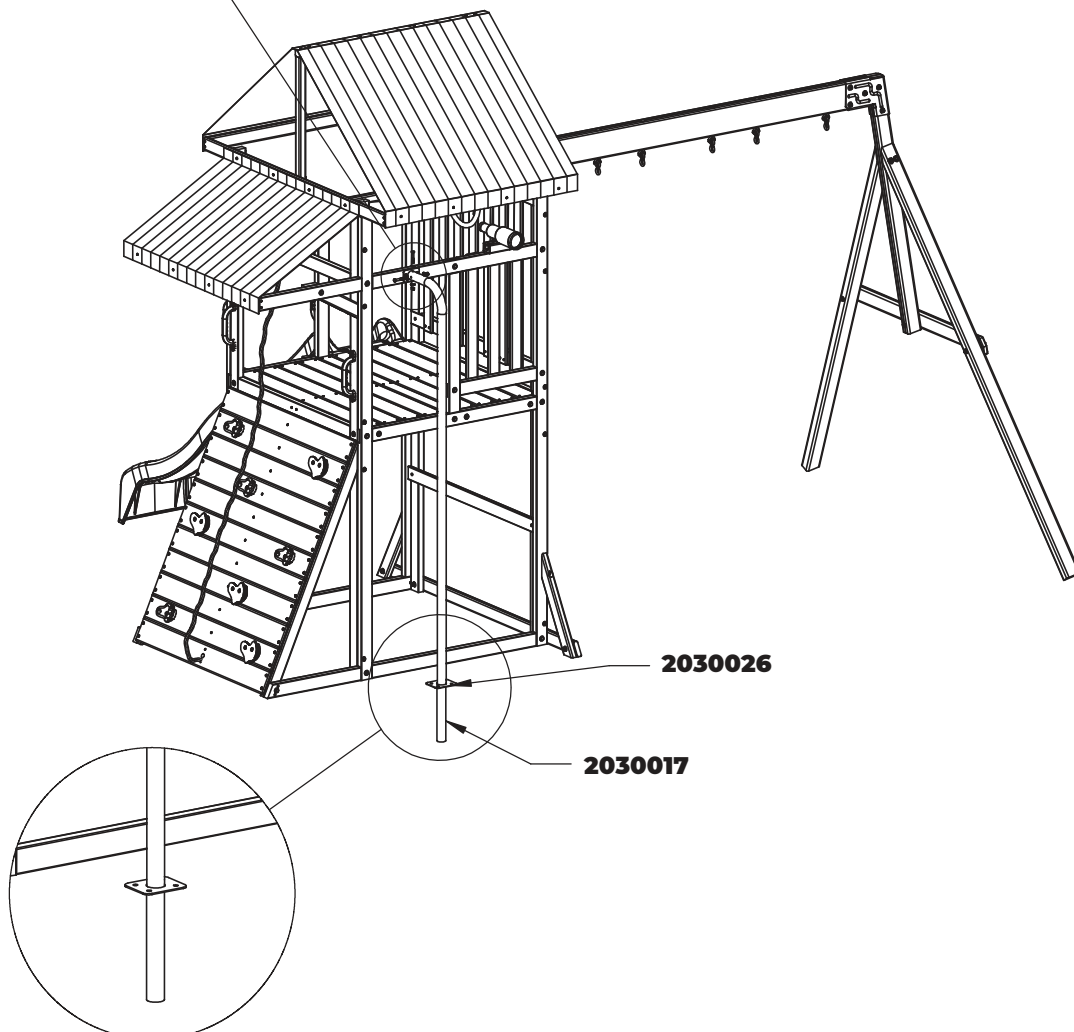
LNI Lock-Nut
(x1) - 1/4"

Accessory

2030017
Friemans Main (x1)
2030026
Poles flat Bracket (x1)



1. Move the playset to its final position before installation. The final position must be on level ground.
2. Ensure the fireman pole is straight.
3. Insert part **2030026** into part **2030017**. Insert the bottom of the pole into the ground as needed.

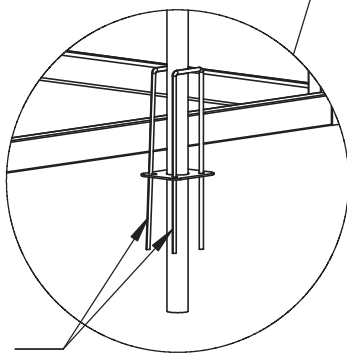


Step 40

Accessory

2002019

Firemans Pole Ground Stake (x2)



Hammer the U-shaped ground stakes into the holes on the plate until they are fully anchored in the ground.

2002019

Step 41

Accessory

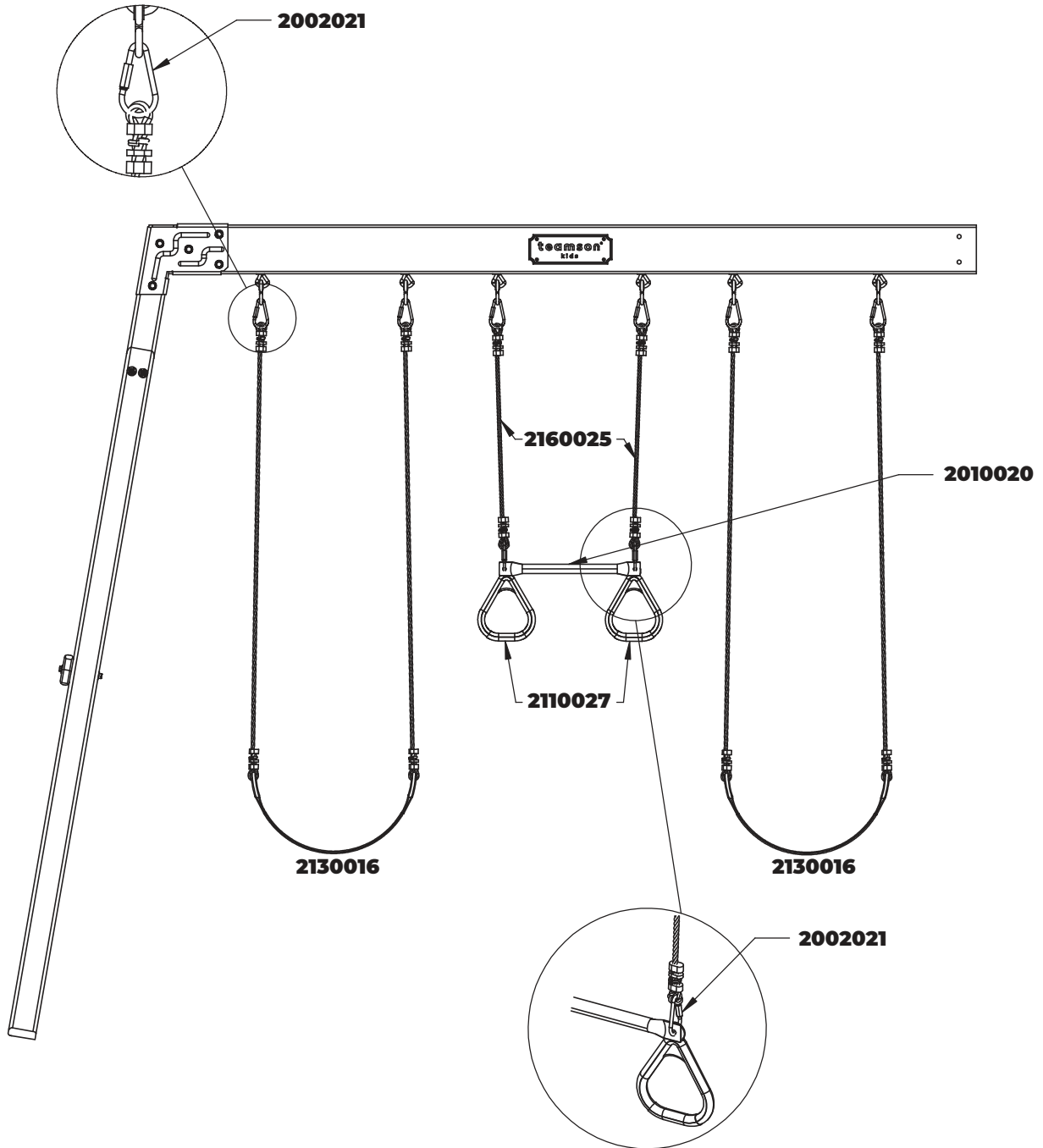
2010020
MK Bar (x1)

2160025
Acro Rope (x2)

2002021
Quick-Link (x8)

2110027
Plastic Handle (x2)

2130016
Swing-Rope 49 5/8" (x2)



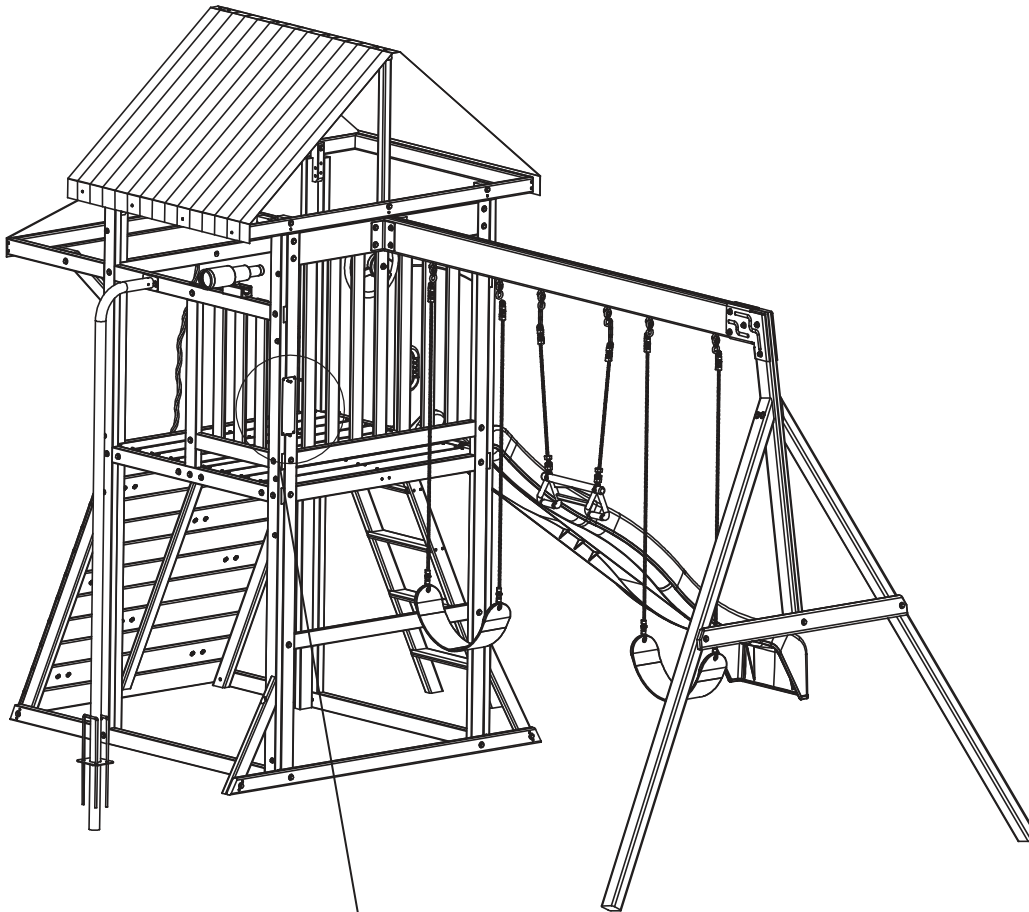
Step 42

Hardware

S0 Truss Head Screw
(x8) - #8 x 7/8"

Accessory

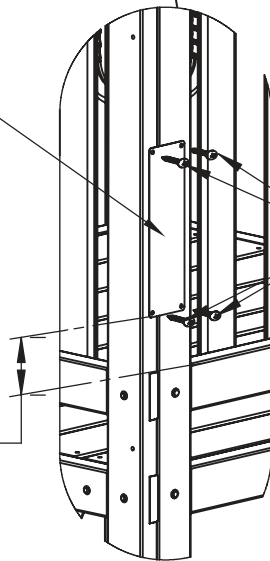
2000003
Playset ID Plaque (x1)



2000003

S0

3"
[76mm]

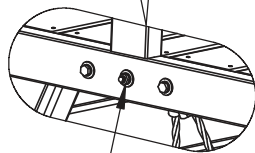
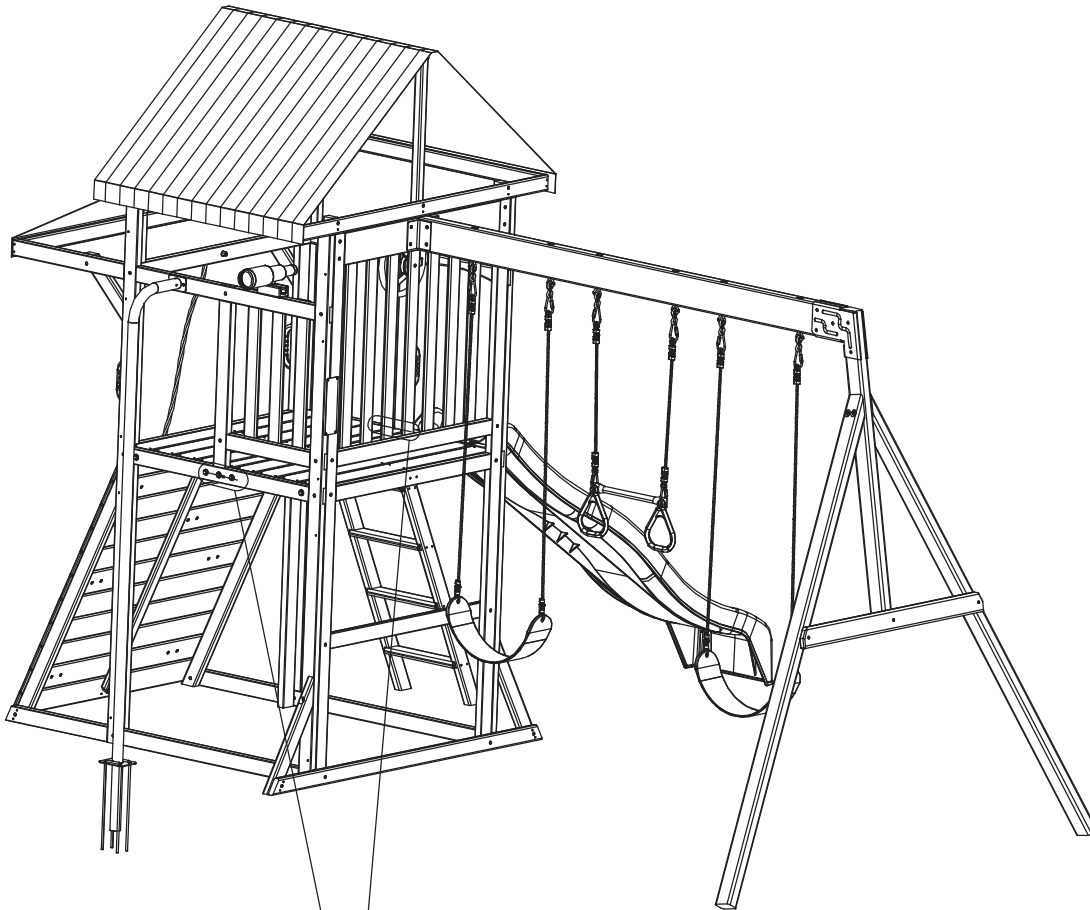


Step 43

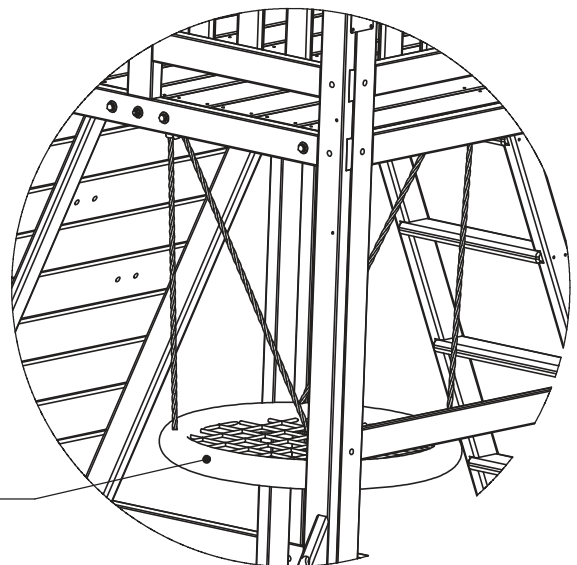
Accessory

2130024

Mesh Swing (x1)



First, remove the original **G35** bolts, then install the mesh swing.



2130024

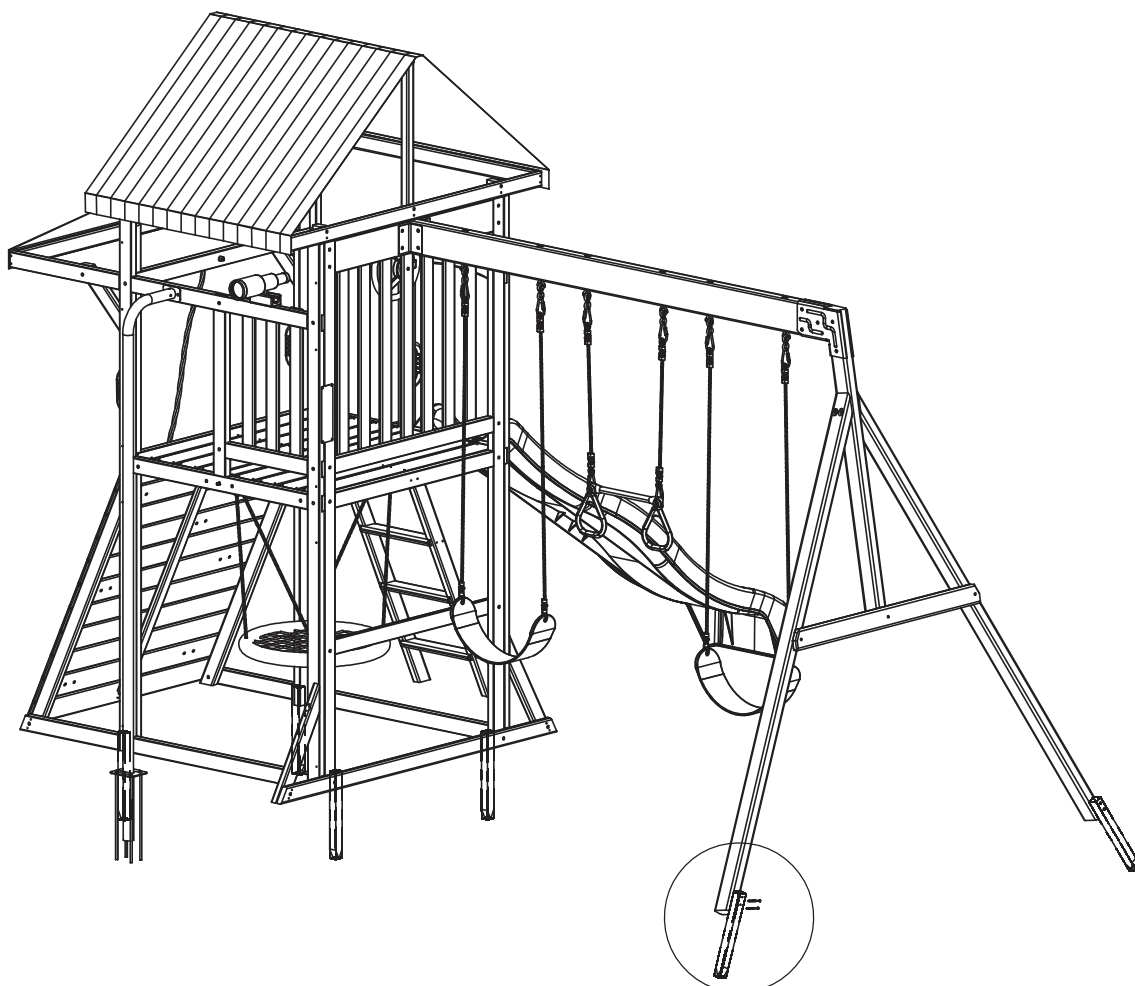
Step 44

Hardware

S3 Wood Screw
(x12) - #8 x 2-1/2"

Accessory

2004016
Wooden Grounding Pile (x6)



*check first for under-ground wiring, cables or gas lines.
Warning! To prevent tipping and avoid potential injury, stakes must be driven 10 1/2" (266.7mm) into ground. Digging or driving stakes can be dangerous if you do not*

